

CONTRACT NO. 66420				
F.A.P. RTE.	SECTION	COUNTY	TOTAL SHEETS	SHEET NO.
311	(1-1R)	KENDALL	514	285
STA.		TO STA.		
FED. ROAD DIST. NO.		ILLINOIS FED. AID PROJECT		

geotrack

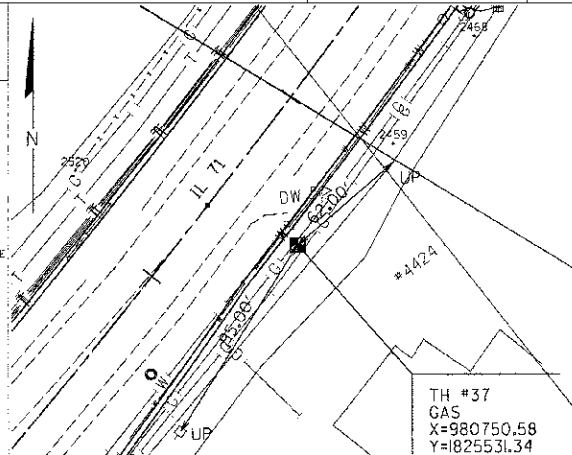
735 N. Harvard
Villa Park, IL 60081
VOICE: (630)530-7609
FAX: (630)530-8167

Utility Location Report for Test Hole 37 in U.S. Survey Feet.

Pavement: N/A in. Asphalt N/A in. Concrete	Client: IDOT	Geotrack Job #: 73812
Soil: Type SAND Conditions SOFT	Contract #: 93-048-01	Truck #: 121
Utility: GAS Size: 2" Material: STL Cond: GOOD	Project #: L 71	Crew Chief: JC
Was it found? YES At the requested location? YES	Name: L 71	Drawn By: JC
Bench Mark: Name/No. BM# Elev. = 651.91	City: OSWEGO	Checked By: G.J.L.
Bench Mark: Name/No. BM# Elev. =	County: KENDALL	Date: 5/25/03
As shown on sheet 7 of 10 on the plans dated 4/4/03 and called SUE DESIG. SHTS.	State: ILLINOIS	

SKETCH PLAN:
* NOT TO SCALE *
HORIZONTAL SURVEY
ACCURACY = +/- 0.015m

- SYMBOL LEGEND**
- TEST HOLE HUB/PK
 - UTILITY POLE
 - FIRE HYDRANT
 - WATER VALVE
 - GAS VALVE
 - STORM MANHOLE
 - SANITARY MANHOLE
 - ELECTRIC MANHOLE
 - TELEPHONE MANHOLE
 - CATCH BASIN
 - ELECTRIC TRANSFORMER
 - CABLE TELEVISION PEDESTAL
 - TELEPHONE PEDESTAL
 - SURVEY TRAVERSE POINT
 - STORM GRATE
 - INLET

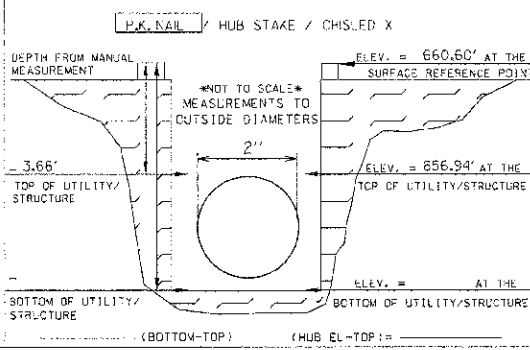


- ABBREVIATIONS:**
- B.M. - Benchmark
 - CB - Catch Basin
 - CL - Centerline
 - CC - Curb & Gutter
 - CI - Cast Iron
 - CCP - Corrugated Metal Pipe
 - CONC - Concrete
 - COND - Conduit
 - DI - Ductile Iron
 - DW - Driveway
 - ELEC - Electric
 - ELEV - Elevation
 - EP - Edge of Pavement
 - FH - Fire Hydrant
 - GV - Gas Valve
 - HPP - High Pressure Plastic
 - HP - High Pressure Plastic
 - IP - Light Pole
 - PVC - Polyvinyl Chloride
 - RCP - Reinforced Concrete Pipe
 - R/W - Right-of-Way
 - SAN - Sanitary Sewer
 - SS - Storm Sewer
 - STM - Storm Sewer
 - SW - Sidewalk
 - TC - Terra Cotta
 - TRAN - Transformer
 - TRAV - Survey Traverse Point
 - UP - Utility Pole
 - WL - Water Line

UTILITY OWNER: NICOR GAS
REPRESENTATIVE: SCOTT STOGSDILL
PHONE No: 1-630-983-8687 X2362
FAX No:

CERTIFICATION:
I hereby certify that the information shown herein is correct to the best of my knowledge and belief.

TEST HOLE PROFILE LOOKING NORTH EAST
VERTICAL SURVEY ACCURACY = +/- 0.015m
FLAGGING COLOR: YELLOW



geotrack

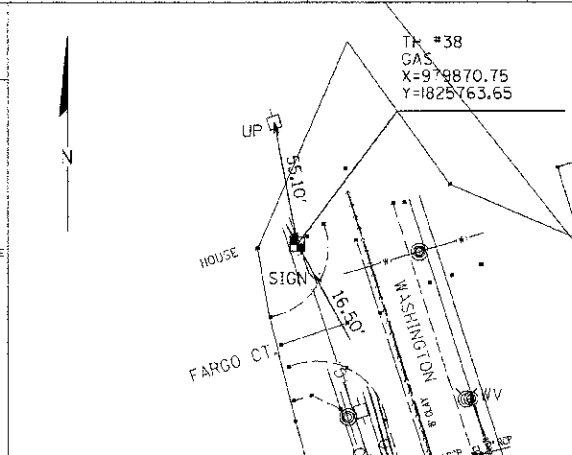
735 N. Harvard
Villa Park, IL 60081
VOICE: (630)530-7609
FAX: (630)530-8167

Utility Location Report for Test Hole 38 in U.S. Survey Feet.

Pavement: N/A in. Asphalt N/A in. Concrete	Client: IDOT	Geotrack Job #: 73812
Soil: Type CLAY Conditions HARD	Contract #: 93-048-01	Truck #: 121
Utility: GAS Size: 2" Material: STL Cond: GOOD	Project #: L 71	Crew Chief: JC
Was it found? YES At the requested location? YES	Name: L 71	Drawn By: JC
Bench Mark: Name/No. BM# Elev. = 651.91	City: OSWEGO	Checked By: G.J.L.
Bench Mark: Name/No. BM# Elev. =	County: KENDALL	Date: 3/25/03
As shown on sheet 7 of 10 on the plans dated 1/4/03 and called SUE DESIG. SHTS.	State: ILLINOIS	

SKETCH PLAN:
* NOT TO SCALE *
HORIZONTAL SURVEY
ACCURACY = +/- 0.015m

- SYMBOL LEGEND**
- TEST HOLE HUB/PK
 - UTILITY POLE
 - FIRE HYDRANT
 - WATER VALVE
 - GAS VALVE
 - STORM MANHOLE
 - SANITARY MANHOLE
 - ELECTRIC MANHOLE
 - TELEPHONE MANHOLE
 - CATCH BASIN
 - ELECTRIC TRANSFORMER
 - CABLE TELEVISION PEDESTAL
 - TELEPHONE PEDESTAL
 - SURVEY TRAVERSE POINT
 - STORM GRATE
 - INLET

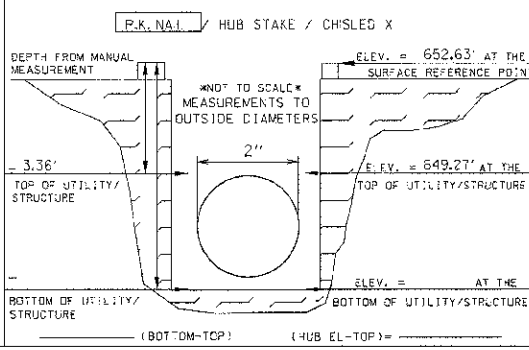


- ABBREVIATIONS:**
- B.M. - Benchmark
 - CB - Catch Basin
 - CL - Centerline
 - CC - Curb & Gutter
 - CI - Cast Iron
 - CCP - Corrugated Metal Pipe
 - CONC - Concrete
 - COND - Conduit
 - DI - Ductile Iron
 - DW - Driveway
 - ELEC - Electric
 - ELEV - Elevation
 - EP - Edge of Pavement
 - FH - Fire Hydrant
 - GV - Gas Valve
 - HPP - High Pressure Plastic
 - HP - High Pressure Plastic
 - IP - Light Pole
 - PVC - Polyvinyl Chloride
 - RCP - Reinforced Concrete Pipe
 - R/W - Right-of-Way
 - SAN - Sanitary Sewer
 - SS - Storm Sewer
 - STM - Storm Sewer
 - SW - Sidewalk
 - TC - Terra Cotta
 - TRAN - Transformer
 - TRAV - Survey Traverse Point
 - UP - Utility Pole
 - WL - Water Line

UTILITY OWNER: NICOR GAS
REPRESENTATIVE: SCOTT STOGSDILL
PHONE No: 1-630-983-8687 X2362
FAX No:

CERTIFICATION:
I hereby certify that the information shown herein is correct to the best of my knowledge and belief.

TEST HOLE PROFILE LOOKING NORTH
VERTICAL SURVEY ACCURACY = +/- 0.015m
FLAGGING COLOR: YELLOW



geotrack

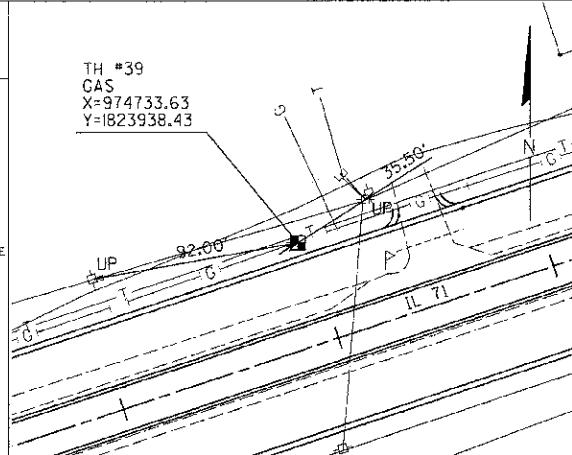
735 N. Harvard
Villa Park, IL 60081
VOICE: (630)530-7609
FAX: (630)530-8167

Utility Location Report for Test Hole 39 in U.S. Survey Feet.

Pavement: N/A in. Asphalt N/A in. Concrete	Client: IDOT	Geotrack Job #: 73812
Soil: Type CLAY Conditions HARD	Contract #: 93-048-01	Truck #: 121
Utility: GAS Size: 4" Material: STL Cond: GOOD	Project #: L 71	Crew Chief: JC
Was it found? YES At the requested location? YES	Name: L 71	Drawn By: JC
Bench Mark: Name/No. BM# Elev. = 651.91	City: OSWEGO	Checked By: G.J.L.
Bench Mark: Name/No. BM# Elev. =	County: KENDALL	Date: 9/23/03
As shown on sheet 3 of 10 on the plans dated 4/4/03 and called SUE DESIG. SHTS.	State: ILLINOIS	

SKETCH PLAN:
* NOT TO SCALE *
HORIZONTAL SURVEY
ACCURACY = +/- 0.015m

- SYMBOL LEGEND**
- TEST HOLE HUB/PK
 - UTILITY POLE
 - FIRE HYDRANT
 - WATER VALVE
 - GAS VALVE
 - STORM MANHOLE
 - SANITARY MANHOLE
 - ELECTRIC MANHOLE
 - TELEPHONE MANHOLE
 - CATCH BASIN
 - ELECTRIC TRANSFORMER
 - CABLE TELEVISION PEDESTAL
 - TELEPHONE PEDESTAL
 - SURVEY TRAVERSE POINT
 - STORM GRATE
 - INLET

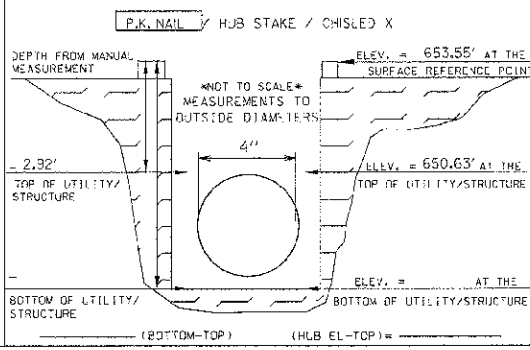


- ABBREVIATIONS:**
- B.M. - Benchmark
 - CB - Catch Basin
 - CL - Centerline
 - CC - Curb & Gutter
 - CI - Cast Iron
 - CCP - Corrugated Metal Pipe
 - CONC - Concrete
 - COND - Conduit
 - DI - Ductile Iron
 - DW - Driveway
 - ELEC - Electric
 - ELEV - Elevation
 - EP - Edge of Pavement
 - FH - Fire Hydrant
 - GV - Gas Valve
 - HPP - High Pressure Plastic
 - HP - High Pressure Plastic
 - IP - Light Pole
 - PVC - Polyvinyl Chloride
 - RCP - Reinforced Concrete Pipe
 - R/W - Right-of-Way
 - SAN - Sanitary Sewer
 - SS - Storm Sewer
 - STM - Storm Sewer
 - SW - Sidewalk
 - TC - Terra Cotta
 - TRAN - Transformer
 - TRAV - Survey Traverse Point
 - UP - Utility Pole
 - WL - Water Line

UTILITY OWNER: NICOR GAS
REPRESENTATIVE: SCOTT STOGSDILL
PHONE No: 1-630-983-8687 X2362
FAX No:

CERTIFICATION:
I hereby certify that the information shown herein is correct to the best of my knowledge and belief.

TEST HOLE PROFILE LOOKING NORTH EAST
VERTICAL SURVEY ACCURACY = +/- 0.015m
FLAGGING COLOR: YELLOW



REVISIONS	
NAME	DATE

ILLINOIS DEPARTMENT OF TRANSPORTATION
S.U.E. TEST HOLE DATA SHEETS
TEST HOLE NOS. 37 - 39
SCALE: VERT. HORIZ. DATE: 7/5/2012
DRAWN BY: SAE
CHECKED BY: MED

TUG PROJ: 3105814
PLOT DATE: 7/5/2012
FILE NAME: p:\civil\1\dot.dwg