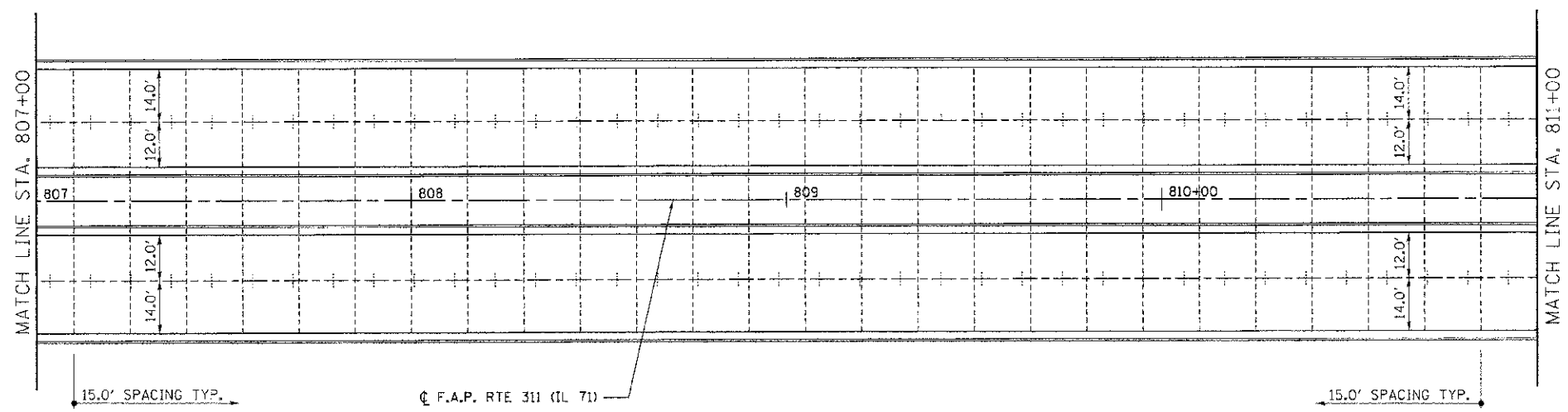
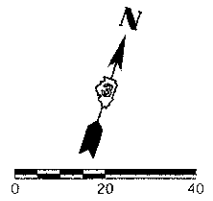
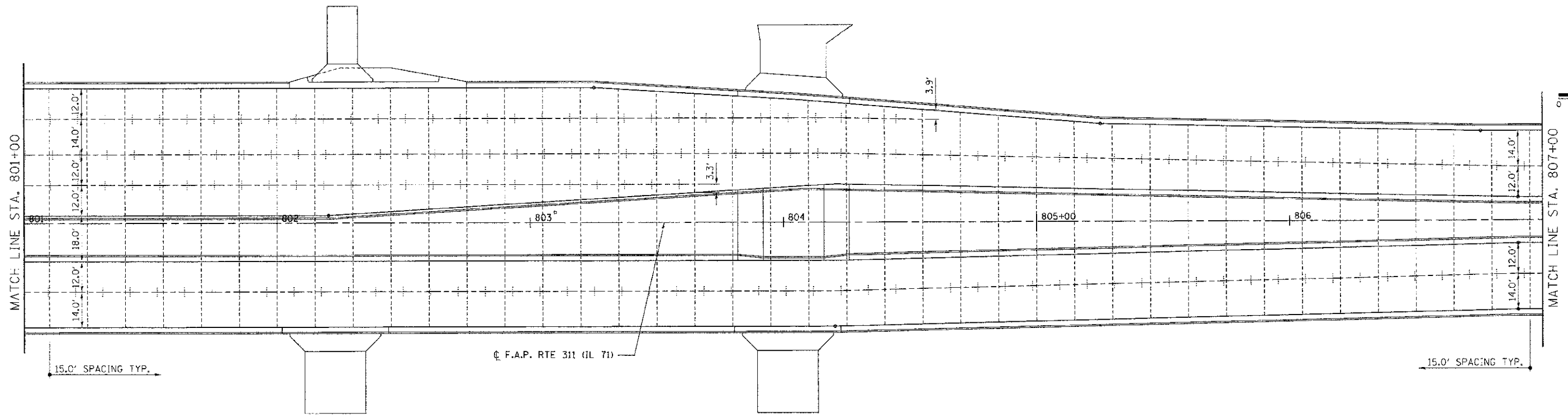
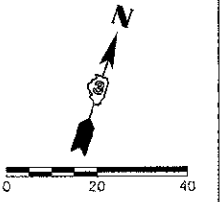


F.A.P. RTE.	SECTION	COUNTY	TOTAL SHEETS	SHEET NO.
311	1-DR	KENDALL	514	305
S.F.A. 801+00	TO STA. 811+00			
FED. ROAD DIST. NO.	ILLINOIS FED. AID PROJECT			



LEGEND

	KEYED CONSTRUCTION JOINT
	SAWED LONGITUDINAL JOINT OR LONGITUDINAL CONSTRUCTION JOINT
	TRANSVERSE SAWED CONTRACTION JOINT

REVISIONS	
NAME	DATE

ILLINOIS DEPARTMENT OF TRANSPORTATION
PAVEMENT JOINT LAYOUT
IL RTE 71
STA 801+00 TO STA 811+00

SCALE: VERT. 1"=20"
 HORIZ. 1"=20"
 DATE 7/5/2012
 DRAWN BY SAE
 CHECKED BY MED

TUG PROJ: 310850/4
 PLOT DATE: 7/5/2012
 FILE NAME: p:\civ11\udat.dia\2\onemp\phase 1\pave-jt-97.dgn