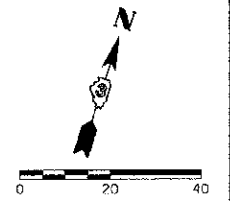
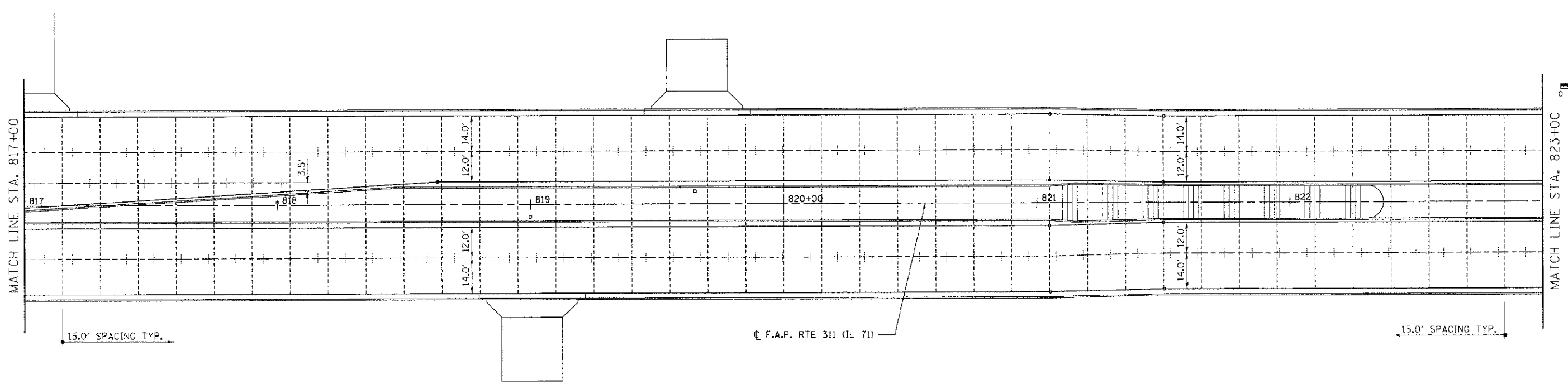
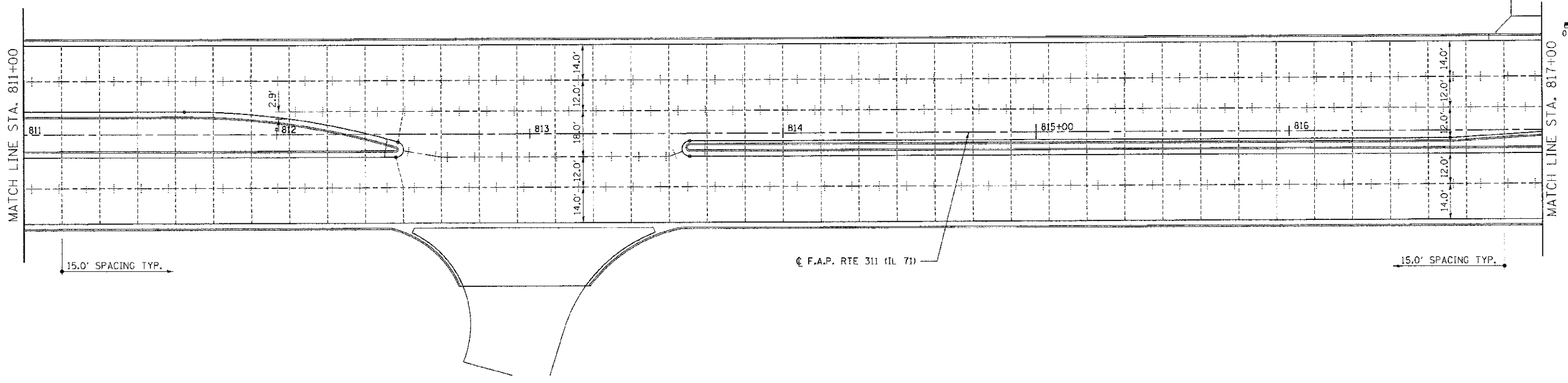
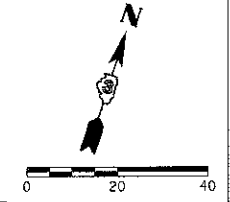


CONTRACT NO. 66420				
F.A.P. RTE.	SECTION	COUNTY	TOTAL SHEETS	SHEET NO.
311	41-1R	KENDALL	514	306
STA. 811+00 TO STA. 823+00				
FED. ROAD DIST. NO. ILLINOIS FED. AID PROJECT				



LEGEND

- KEYED CONSTRUCTION JOINT
- SAWED LONGITUDINAL JOINT OR LONGITUDINAL CONSTRUCTION JOINT
- TRANSVERSE SAWED CONTRACTION JOINT

REVISIONS	
NAME	DATE

ILLINOIS DEPARTMENT OF TRANSPORTATION
PAVEMENT JOINT LAYOUT
IL RTE 71
STA 811+00 TO STA 823+00
 SCALE: VERT. 1"=20'
 HORIZ. 1"=20'
 DATE: 7/5/2012
 DRAWN BY: SAE
 CHECKED BY: MED

TUG PROJ: 4310584
 PLOT DATE: 7/5/2012
 FILE NAME: p:\activ1\...dwt\du3\omwgo\phase 1\pave-jt-81.dgn