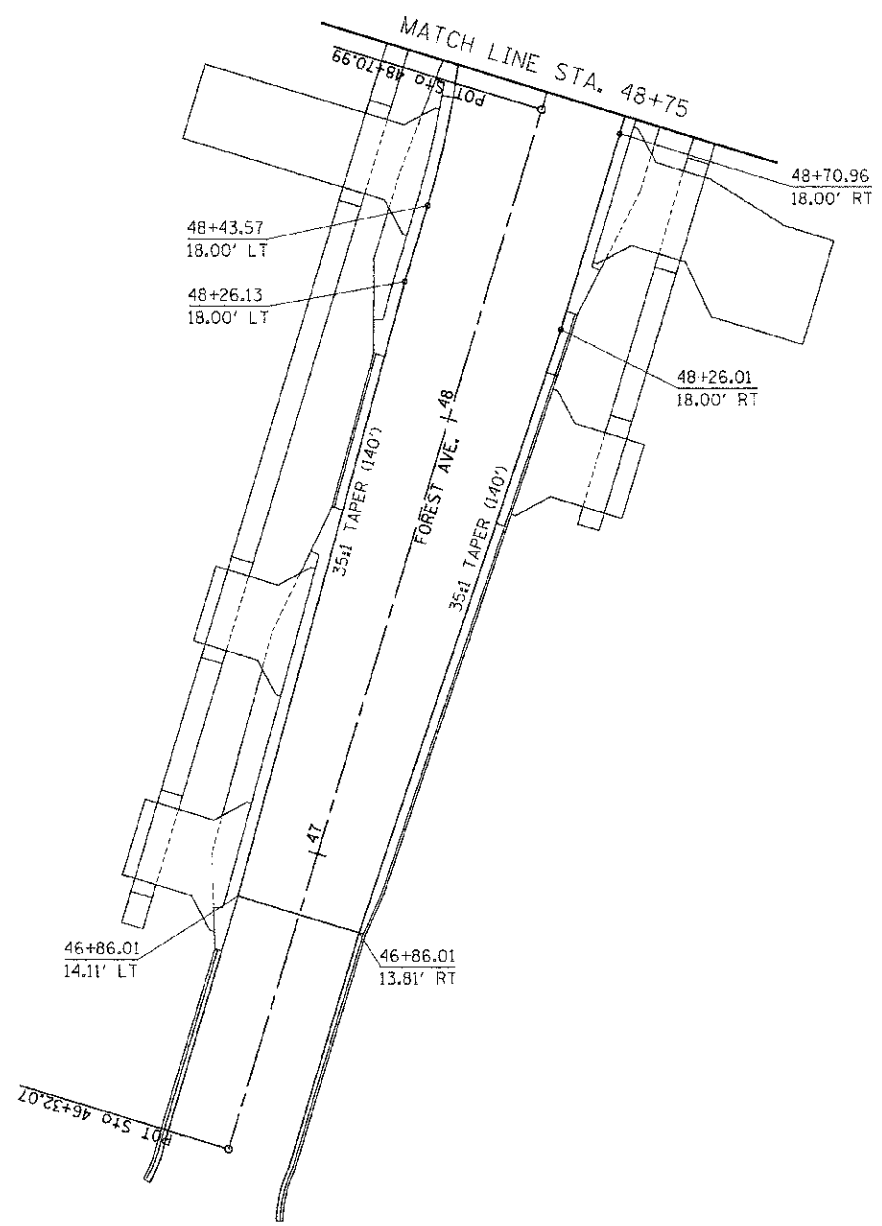
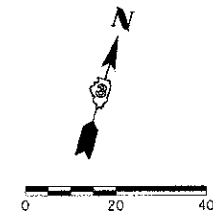


F.A.P. / R.T.E.	SECTION	COUNTY	TOTAL SHEETS	SHEET NO.
311	(1-1)R	KENDALL	514	336
STA. 46+86.01		TO STA. 48+75		
FED. ROAD DIST. NO.		ILLINOIS FED. AID PROJECT		



NOTES:

- FOR ADDITIONAL DETAILS, SEE JOINTING PLANS, SIGNING AND STRIPING PLANS, AND TRAFFIC SIGNAL PLANS.

REVISIONS	
NAME	DATE

ILLINOIS DEPARTMENT OF TRANSPORTATION
INTERSECTION DETAIL
FOREST AVENUE
STA. 46 + 86.01 TO STA. 48 + 75

SCALE: VERT. 1"=20'
 HORIZ. 1"=20'
 DATE 7/5/2012

DRAWN BY SAF
 CHECKED BY MED

TUG PROJ. 3103904
 PLOT DATE 7/5/2012
 FILE NAME p:\civil\11\det.dwg\305050\phase 11\Int-Forest-03.dgn