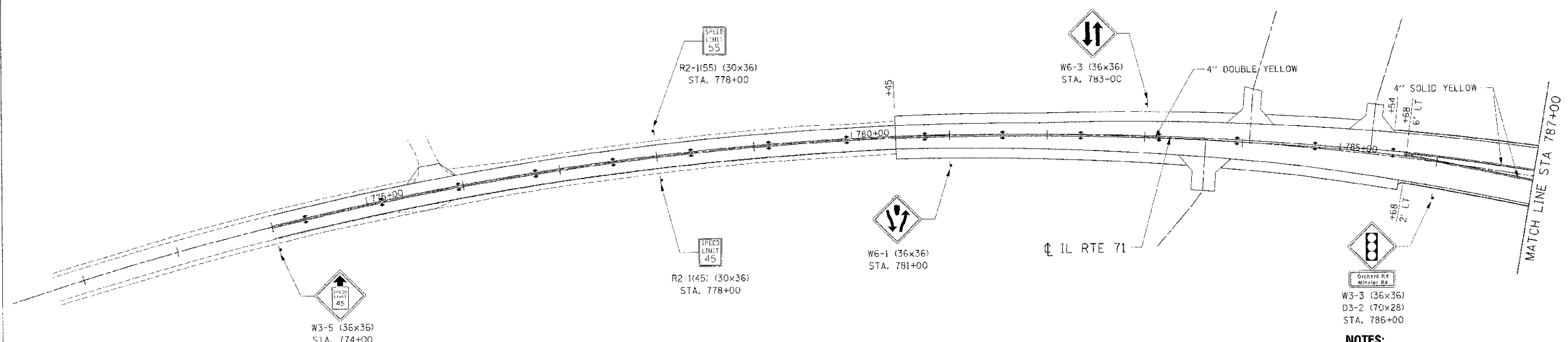
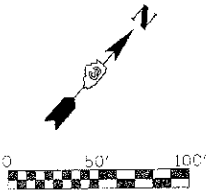


| | | | | |
|---------------------|---------|---------------------------|--------------|-----------|
| F.A.P. NO. | SECTION | COUNTY | TOTAL SHEETS | SHEET NO. |
| 311 | (1-1) R | KENDALL | 514 | 346 |
| STA. 771+00.50 | | TO STA. 787+00 | | |
| FED. ROAD DIST. NO. | | ILLINOIS FED. AID PROJECT | | |



NOTES:

1. CONTRACTOR SHALL REPLACE WOOD POSTS FOR RELOCATED SIGNS AS DIRECTED BY THE ENGINEER.
2. ALL PERMANENT PAVEMENT MARKING SHALL BE URETHANE PAVEMENT MARKING, EXCEPT FOR THE 6" WHITE SKIP-DASHED LINE, 24" STOP BAR, LETTERS & SYMBOLS SHALL BE PREFORMED PLASTIC PAVEMENT MARKING, TYPE-B, INLAID.
3. LONGITUDINAL PAVEMENT MARKING SHALL FOLLOW PAVEMENT CONSTRUCTION JOINTS UNLESS OTHERWISE NOTED. (SEE JOINTING PLANS)
4. ALL UN-USED ROADWAY SIGNS ARE TO BE RETURNED TO THE ILLINOIS DEPARTMENT OF TRANSPORTATION YORKVILLE MAINTENANCE FACILITY ON ILLINOIS ROUTE 47.

| REVISIONS | | ILLINOIS DEPARTMENT OF TRANSPORTATION |
|-----------|------|--|
| NAME | DATE | |
| | | <p align="center">SIGNING AND STRIPING PLAN</p> <p align="center">IL RTE 71</p> <p align="center">STA 771+70.50 TO STA 787+00</p> <p>SCALE: 1"=50'</p> <p>DATE: 7/3/2012</p> <p>DRAWN BY: _____</p> <p>CHECKED BY: RG</p> |
| | | |
| | | |
| | | |
| | | |
| | | |
| | | |
| | | |
| | | |
| | | |

IE PROJ: 6586925
 PLOT DATE: 7/3/2012
 FILE NAME: G:\305025\70A\11 71 I\HWL05H1