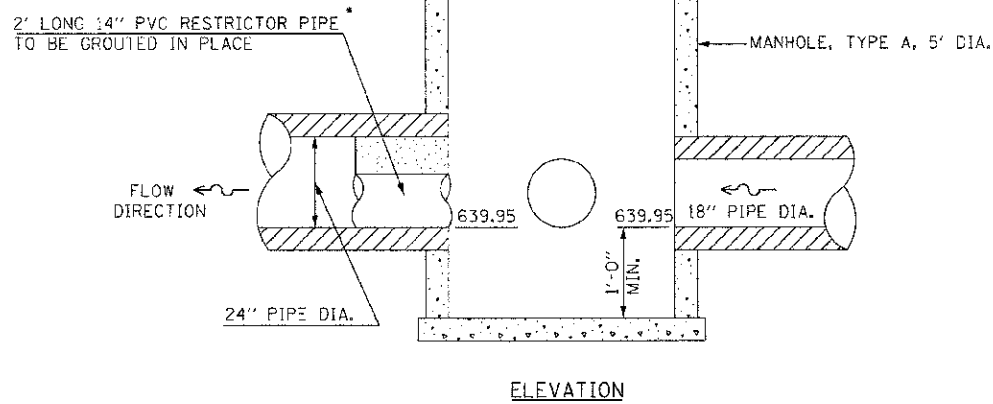
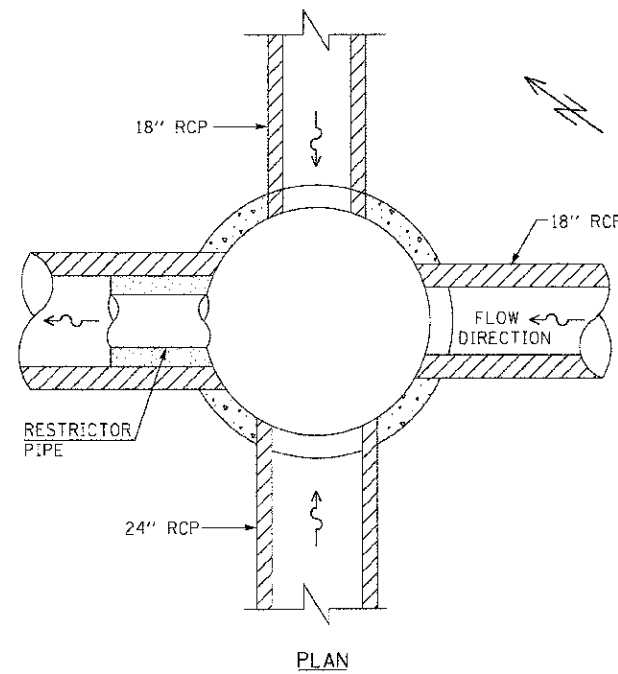


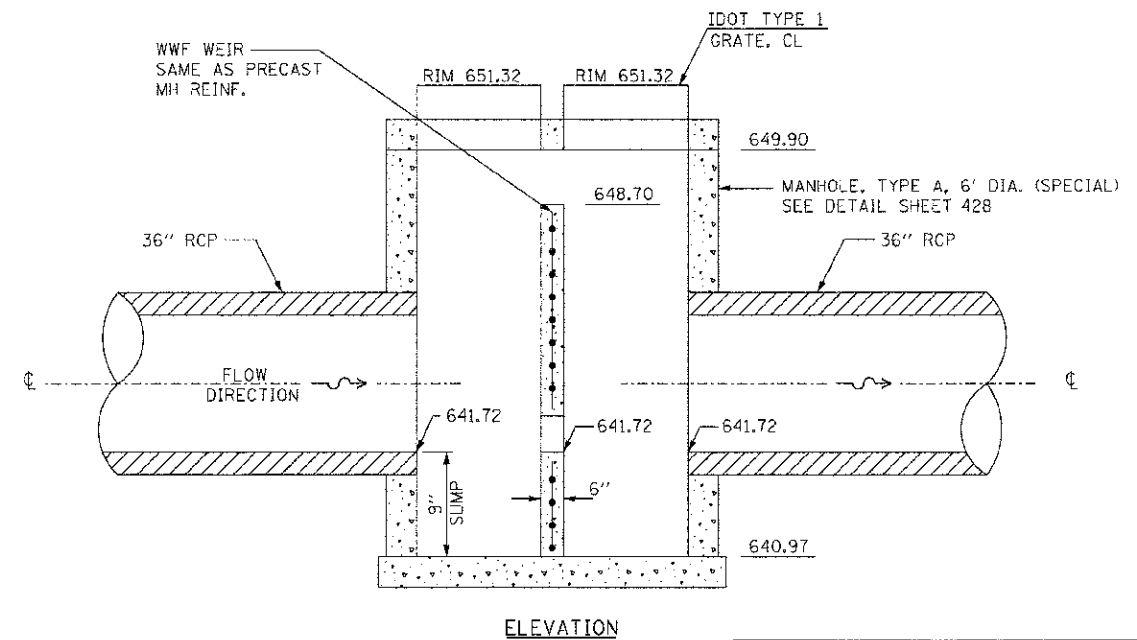
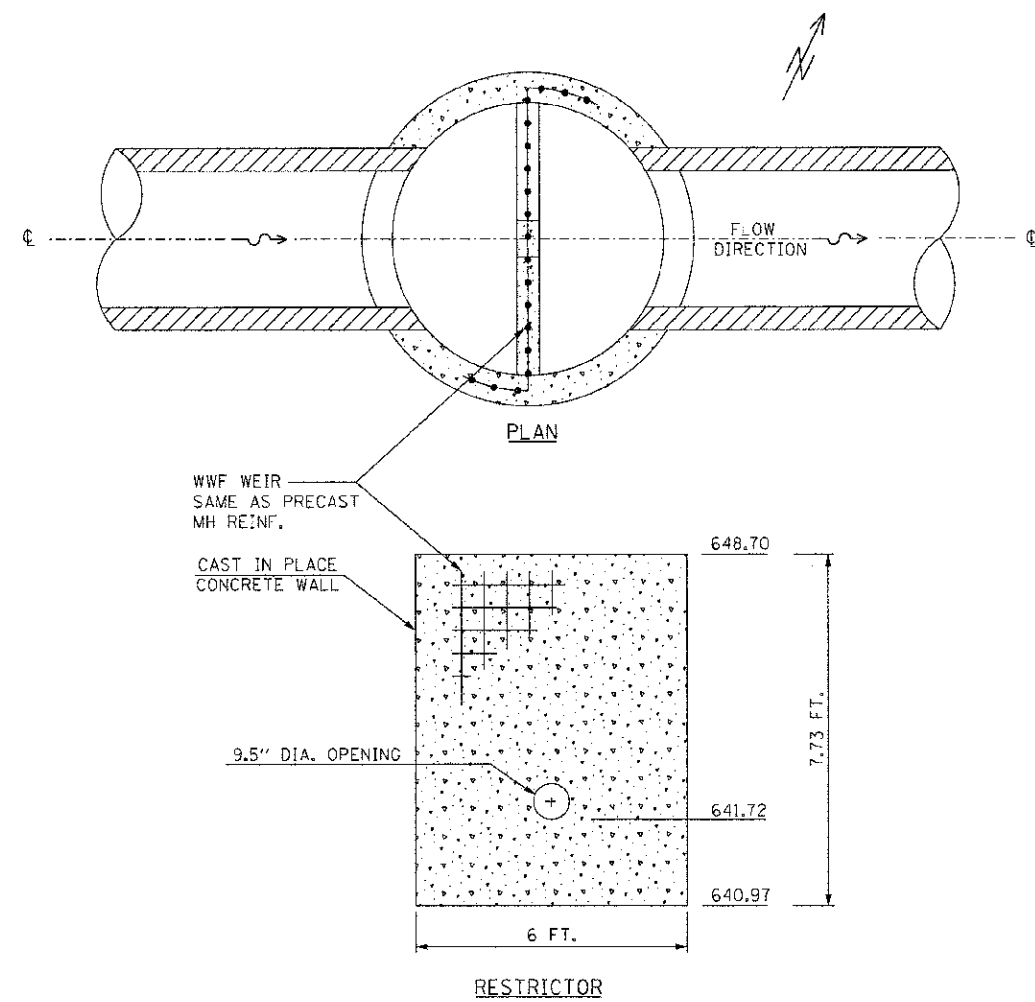
P.A.P. R.F.E.	SECTION	COUNTY	TOTAL SHEETS	SHEET NO.
311	01-11R	KENDALL	514	420
STA.		TO STA.		
FED. ROAD DIST. NO.		ILLINOIS FED. AID PROJECT		



CONTROL STRUCTURE, 5 FT. DIA. (SPECIAL)  
NOT TO SCALE

\* NOTE: A LARGER STANDARD DIAMETER RESTRICTOR PIPE MAY BE USED. A SPECIAL CAP WITH A 1/4" DIA. HOLE IN THE BOTTOM WOULD BE FITTED ON THE UPSTREAM END OF THE PIPE.

1B-06-CS5  
OUTLET 1B  
STA. 786+42.28



CONTROL STRUCTURE, 6 FT. DIA. (SPECIAL)  
NOT TO SCALE

7-22-CS6  
OUTLET 7  
STA. 817+62.96

REVISIONS	
NAME	DATE

ILLINOIS DEPARTMENT OF TRANSPORTATION  
**STORMWATER CONTROL STRUCTURES**  
SCALE: VERT. DATE 7/5/2012  
DRAWN BY L.P. CHECKED BY MED