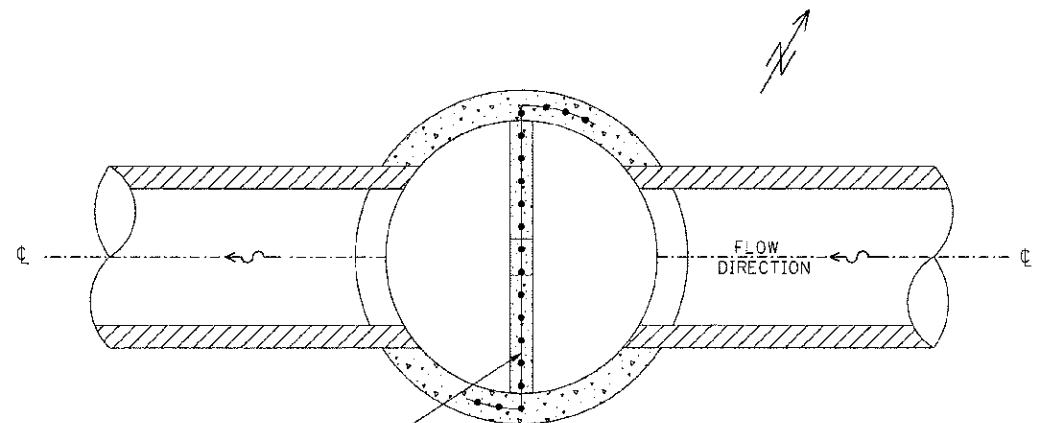


F.A.P. RTE.	SECTION	COUNTY	TOTAL SHEETS	SHEET NO.
311	(1-1)R	KENDALL	514	422
STA. TO STA.				
FED. ROAD DIST. NO.			ILLINOIS FED. AID PROJECT	

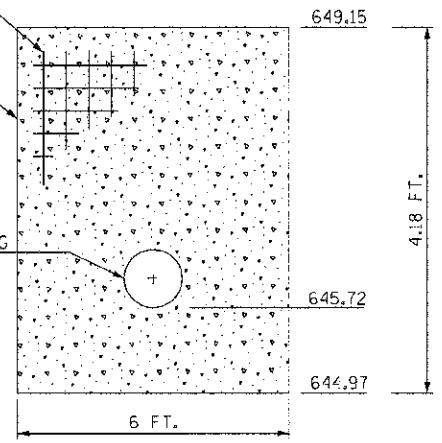


WWF WEIR
SAME AS PRECAST
MH REINF.

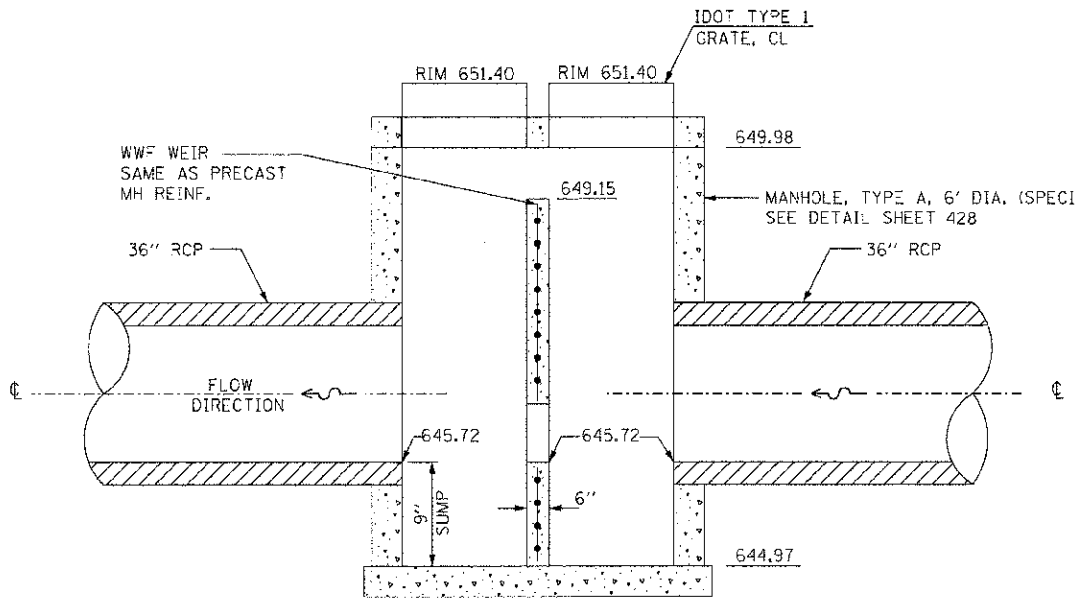
CAST IN PLACE
CONCRETE WALL

6.25" DIA. OPENING

PLAN



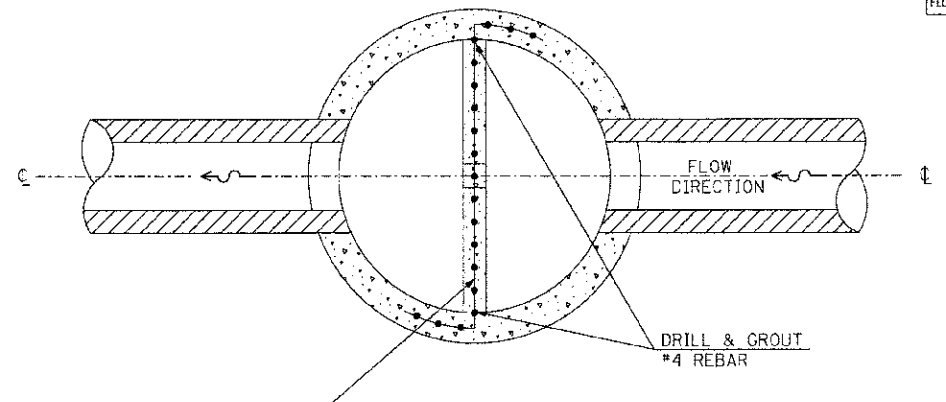
RESTRICTOR



ELEVATION

CONTROL STRUCTURE, 6 FT. DIA. (SPECIAL)
NOT TO SCALE

7-25-CS6
OUTLET 7
STA. 818+69.45

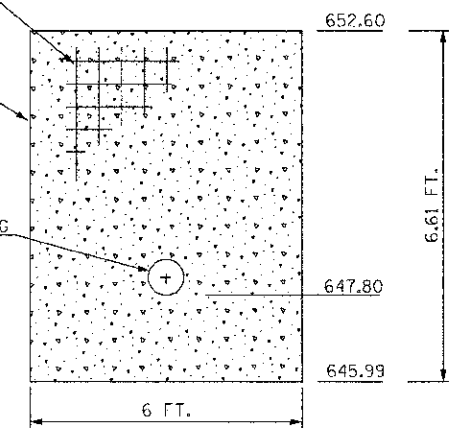


WWF WEIR
SAME AS PRECAST
MH REINF.

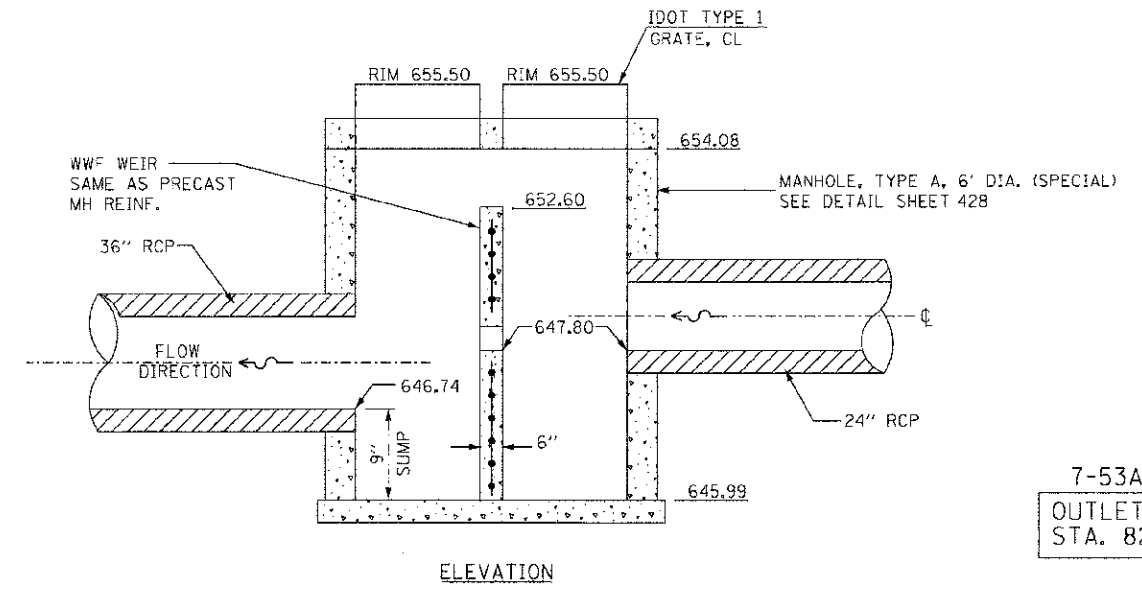
CAST IN PLACE
CONCRETE WALL

9.75" DIA. OPENING

PLAN



RESTRICTOR



ELEVATION

7-53A-CS6
OUTLET 7
STA. 827+73.00

CONTROL STRUCTURE, 6 FT. DIA. (SPECIAL)
NOT TO SCALE

REVISIONS	
NAME	DATE

ILLINOIS DEPARTMENT OF TRANSPORTATION
STORMWATER CONTROL STRUCTURES

SCALE: VERT. HORIZ.
DATE: 7/5/2012
DRAWN BY LP
CHECKED BY MED

TUG PROJ: 010891A
 PLOT DATE: 7/5/2012
 FILE NAME: P:\CIVIL\11\DOT\01513\01513_01513_01513_01513.dwg