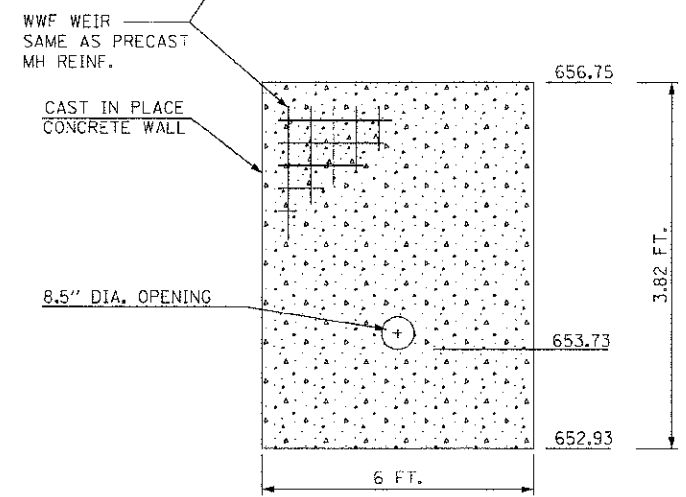
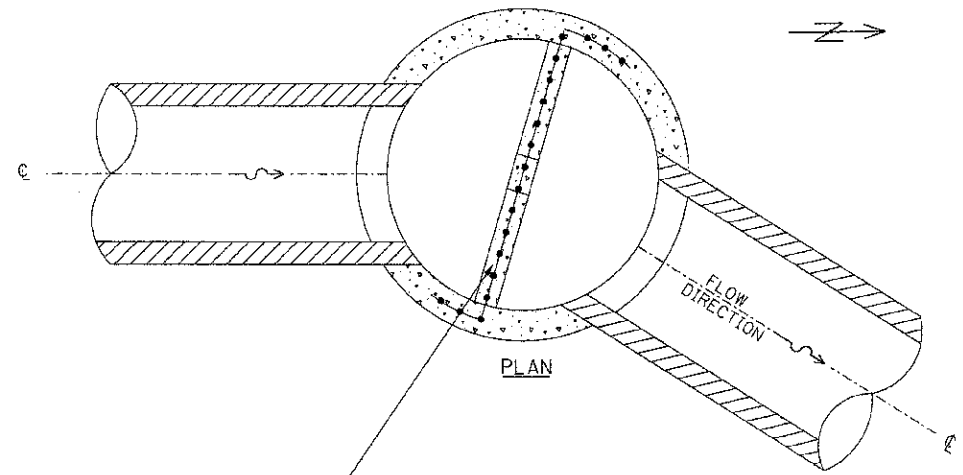
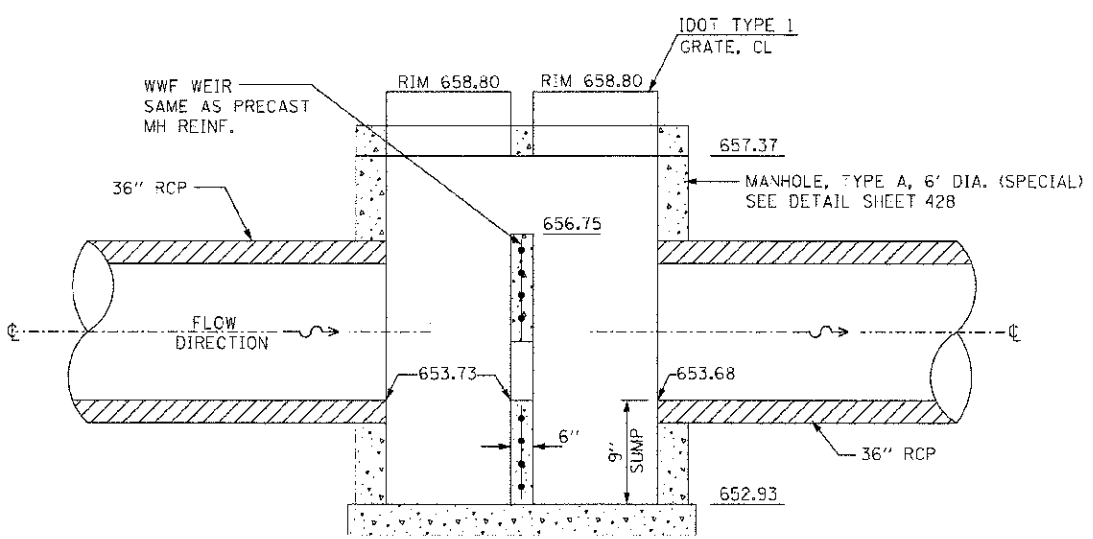


F.A.P. RTE.	SECTION	COUNTY	TOTAL SHEETS	SHEET NO.
3:1	(1)-DR	KENDALL	5:4	423
STA.		TO STA.		
FED. ROAD DIST. NO.		ILLINOIS	FED. AID PROJECT	

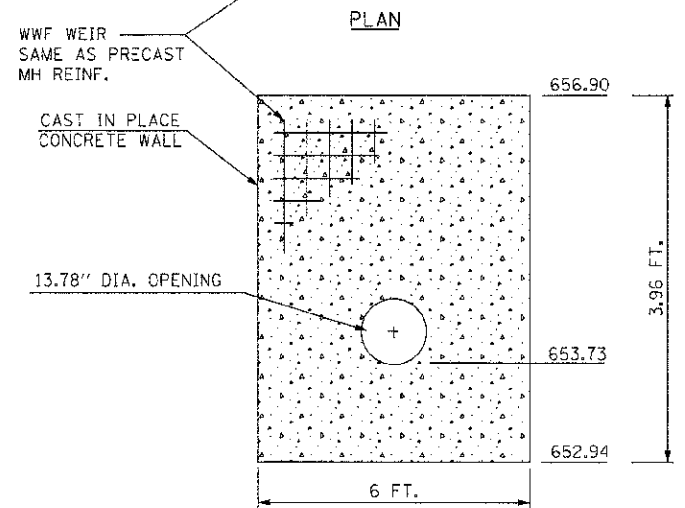
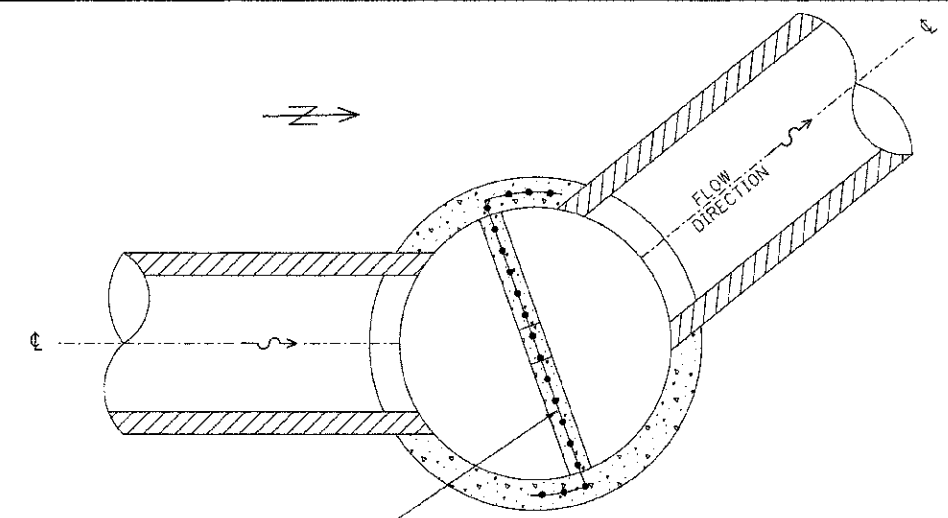


RESTRICTOR

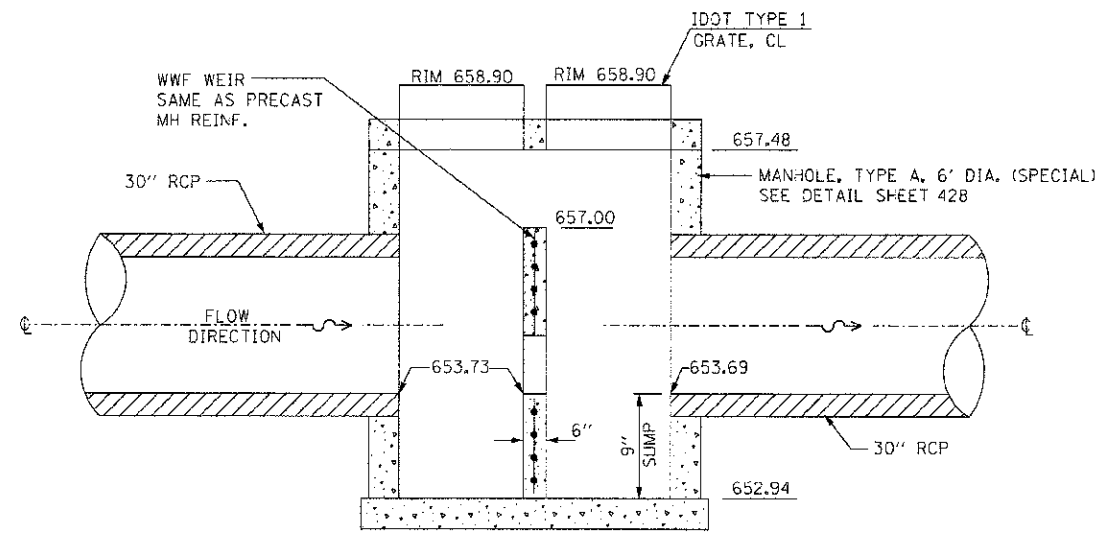


CONTROL STRUCTURE, 6 FT. DIA. (SPECIAL)  
NOT TO SCALE

8-11A-CS6  
OUTLET 8  
STA. 836+84.03



RESTRICTOR



CONTROL STRUCTURE, 6 FT. DIA. (SPECIAL)  
NOT TO SCALE

8-12-CS6  
OUTLET 8  
STA. 837+19.86

REVISIONS	
NAME	DATE

ILLINOIS DEPARTMENT OF TRANSPORTATION  
**STORMWATER CONTROL STRUCTURES**  
SCALE: VERT. 1"=4'-0"  
HORIZ. 1"=10'-0"  
DATE 7/5/2012  
DRAWN BY LP  
CHECKED BY MED

TUC PROJ: 11065914  
 PLOT DATE: 7/5/2012  
 FILE NAME: P:\AC\11\11065914\DOT\_DIST\30\omega\Phase 1\NET13\CONT\_STR.dgn