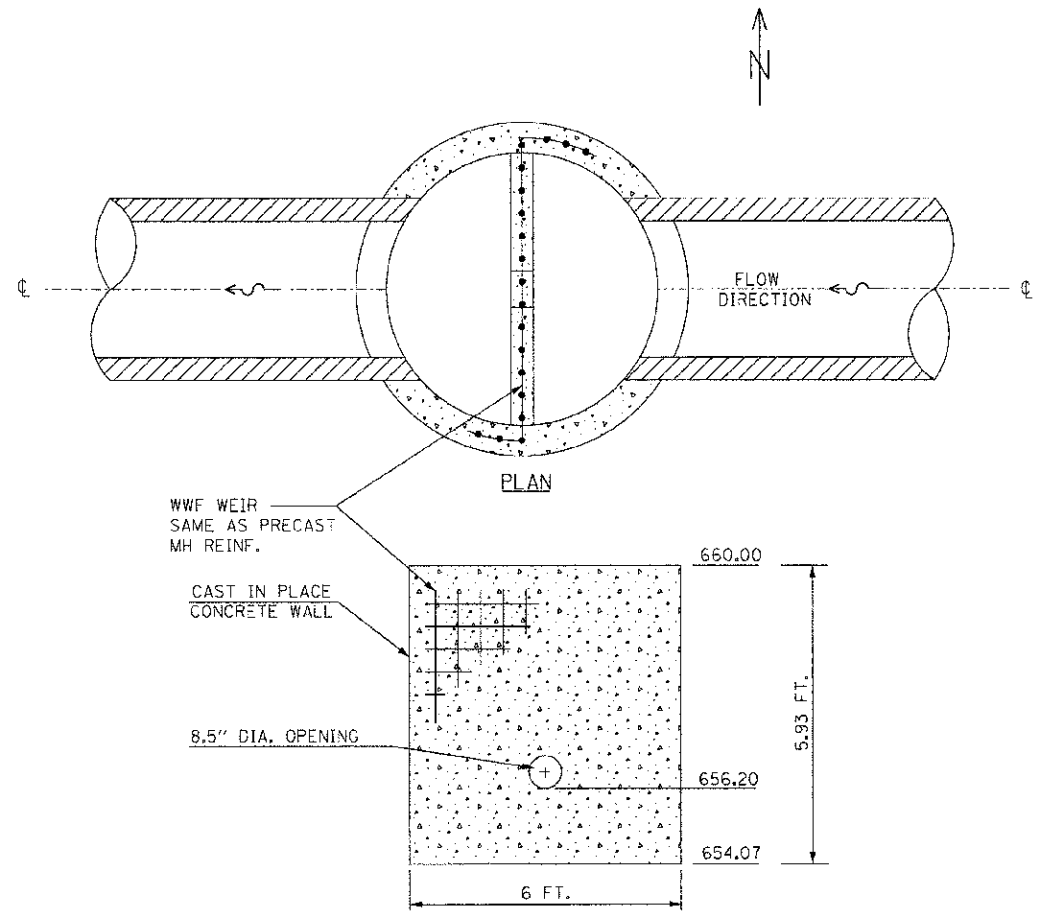
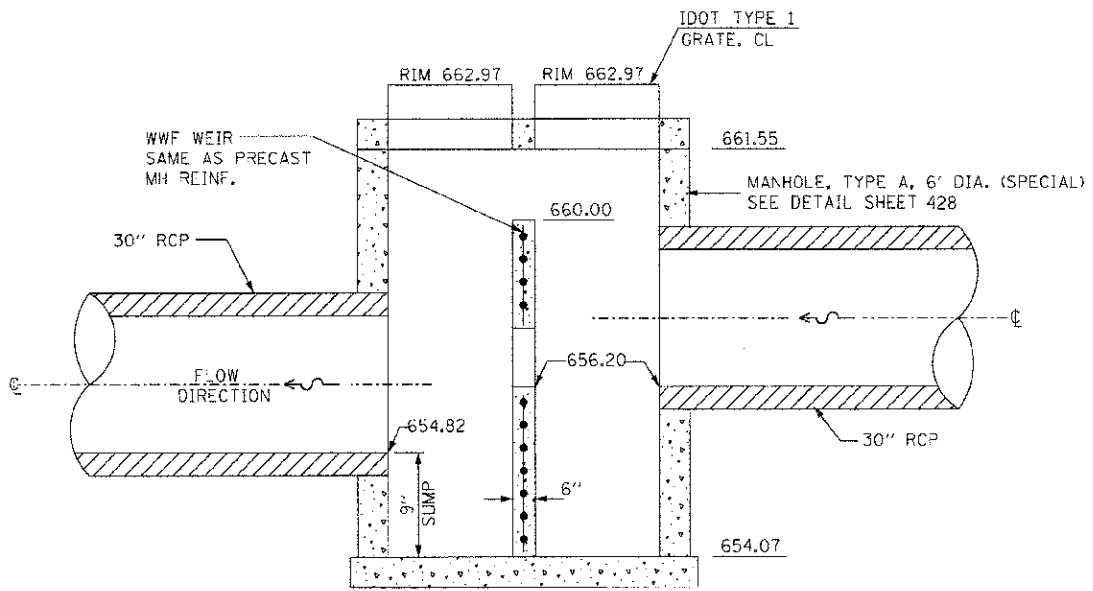


F.A.P. RTE.	SECTION	COUNTY	TOTAL SHEETS	SHEET NO.
311	(1-11R)	KENDALL	514	424
STA.	TO STA.			
FED. ROAD DIST. NO.	ILLINOIS	FED. AID PROJECT		

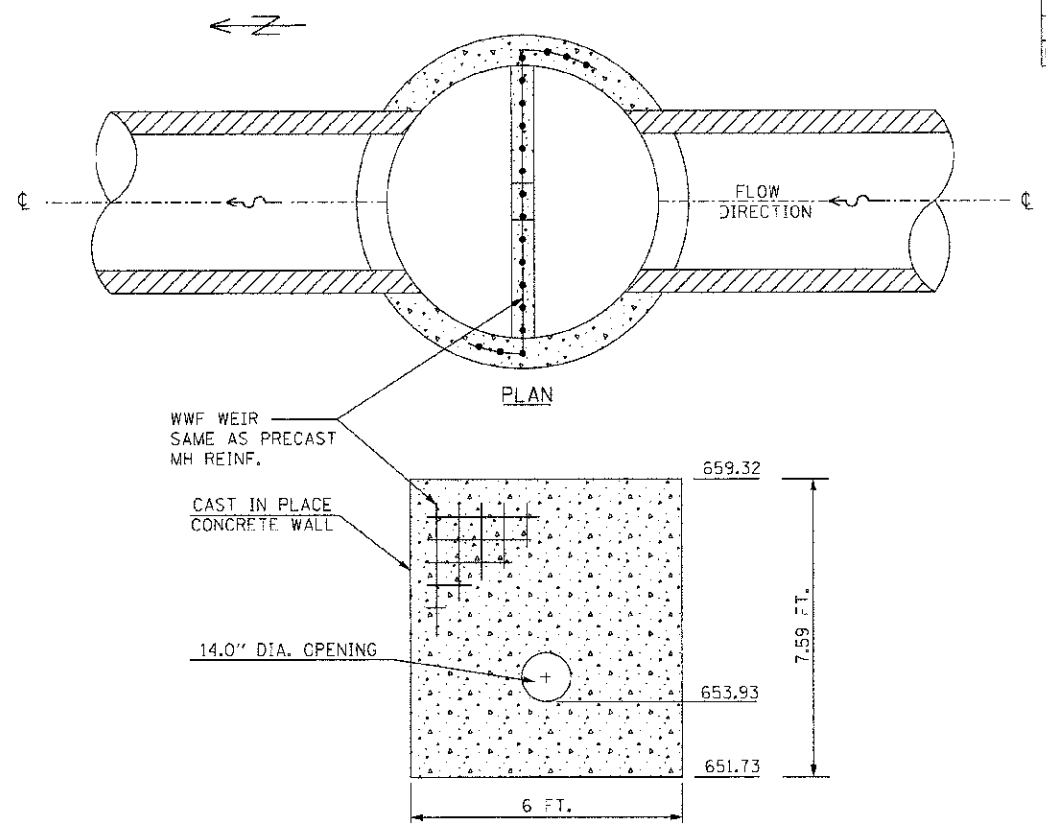


RESTRICTOR

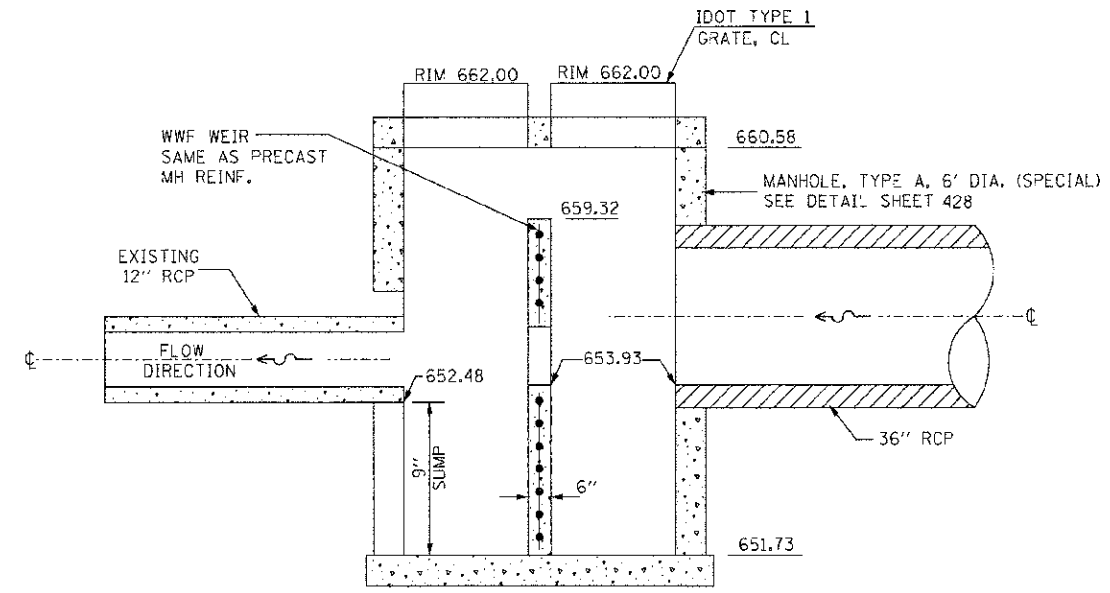


CONTROL STRUCTURE, 6 FT. DIA. (SPECIAL)  
NOT TO SCALE

8-21A-CS6  
OUTLET 8  
STA. 841+00.21



RESTRICTOR



CONTROL STRUCTURE, 6 FT. DIA. (SPECIAL)  
NOT TO SCALE

10-04-CS6  
OUTLET 10  
STA. 846+70.76

REVISIONS	
NAME	DATE

ILLINOIS DEPARTMENT OF TRANSPORTATION  
**STORMWATER CONTROL STRUCTURES**  
SCALE: VERT. 1"=4'  
HORIZ. 1"=4'  
DATE 7/5/2012  
DRAWN BY LP  
CHECKED BY MED

THE UPCHURCH GROUP, INC. 123 NORTH 15TH STREET, MATTOON, ILLINOIS 61938 (217) 235-3177  
 PLOT DATE 7/5/2012  
 FILE NAME P:\ACAD\11\DOT\DIST\3\Osage\Phase 1\INDET14.DWT STR.dgn