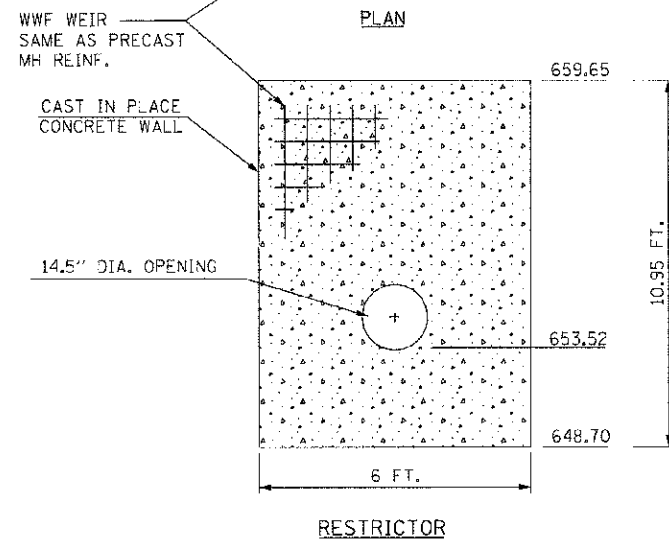
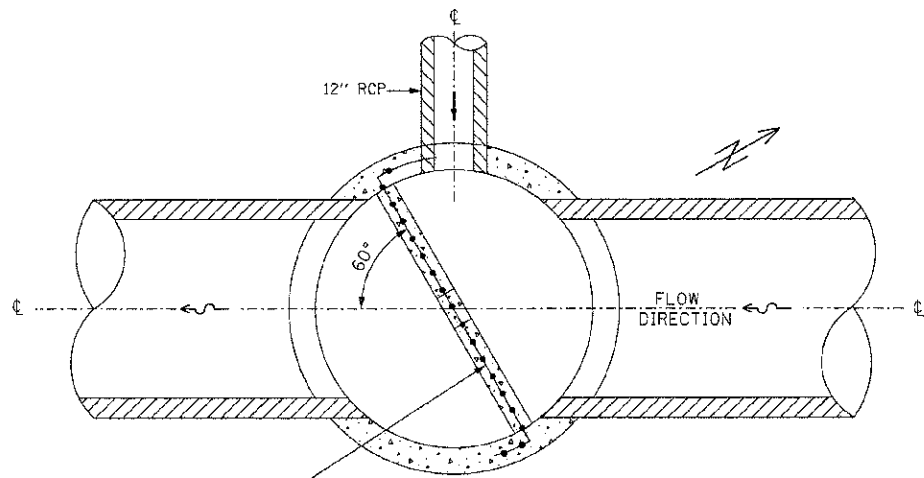
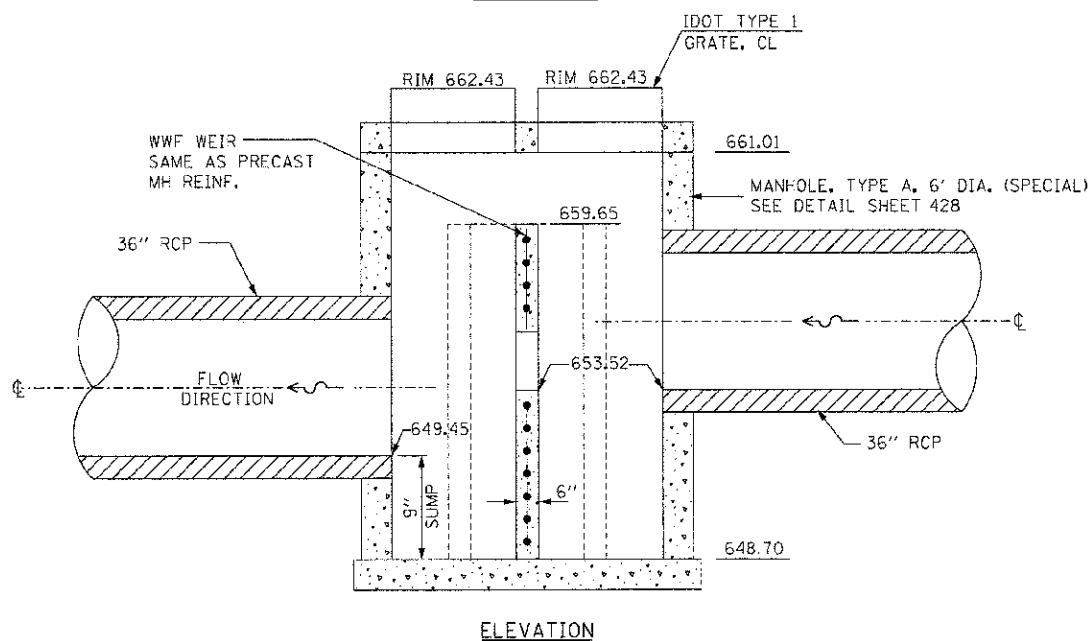


F.A.P. RTE.	SECTION	COUNTY	TOTAL SHEETS	SHEET NO.
311	(1-1)R	KENDALL	514	427
STA.	TO STA.			
FED. ROAD DIST. NO.	ILLINOIS	FED. AID PROJECT		



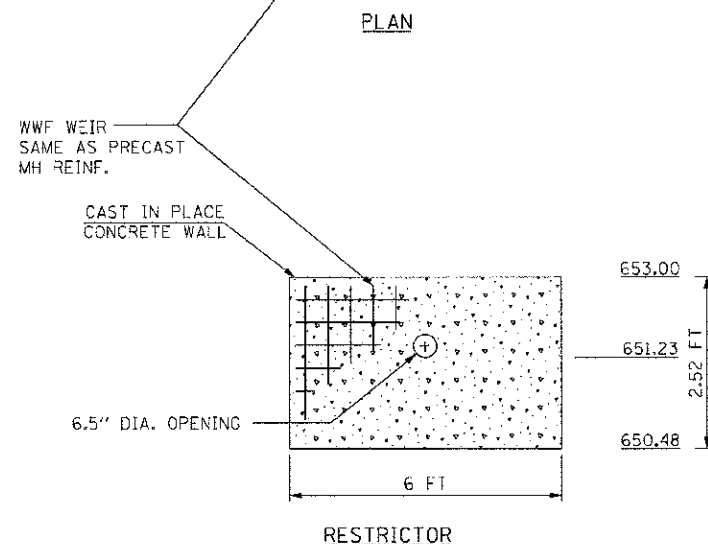
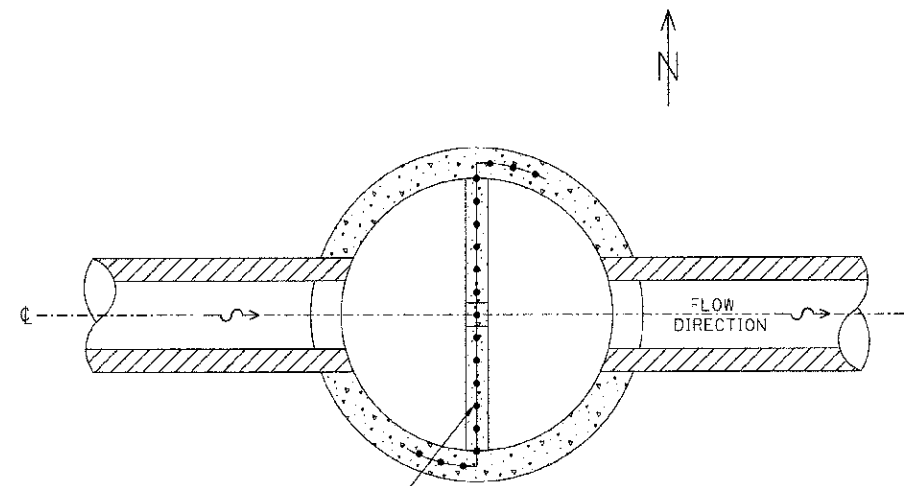
RESTRICTOR



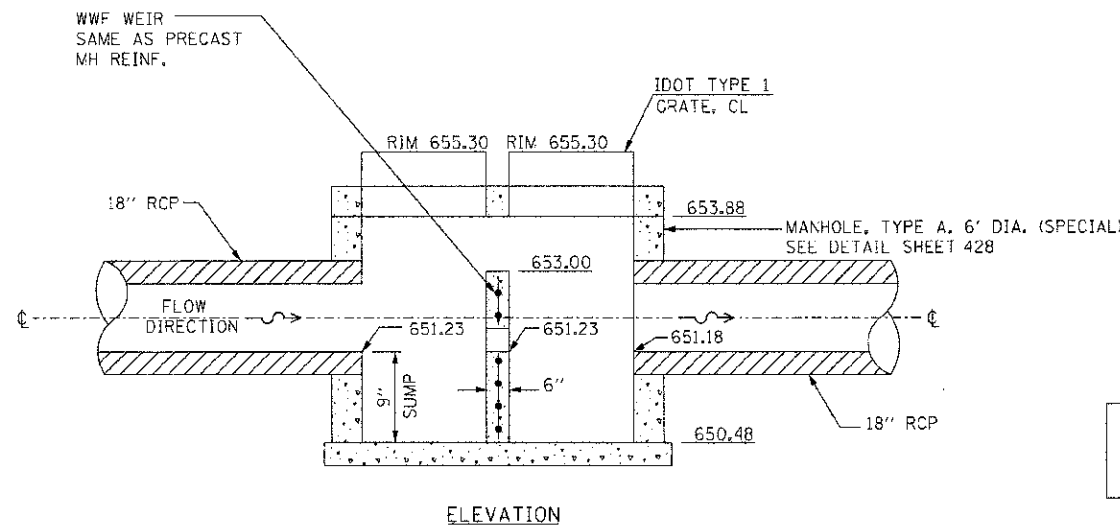
ELEVATION

CONTROL STRUCTURE, 6 FT. DIA. (SPECIAL)  
NOT TO SCALE

11-81-CS6  
OUTLET 11  
STA. 892+31.83



RESTRICTOR



ELEVATION

CONTROL STRUCTURE, 6 FT. DIA. (SPECIAL)  
NOT TO SCALE

16-12-CS6  
OUTLET 16  
DOUGLAS ST.  
STA. 104+63.35

REVISIONS	
NAME	DATE

ILLINOIS DEPARTMENT OF TRANSPORTATION

**STORMWATER CONTROL STRUCTURES**

SCALE: VERT.  
HORIZ.  
DATE 7/5/2012

DRAWN BY LP  
CHECKED BY MED

FILE NAME: P:\2012\11-81-83\Phase 1\NET4\CONT\_STR.dwg  
 PLOT DATE: 7/5/2012  
 FILE NAME: P:\2012\11-81-83\Phase 1\NET4\CONT\_STR.dwg