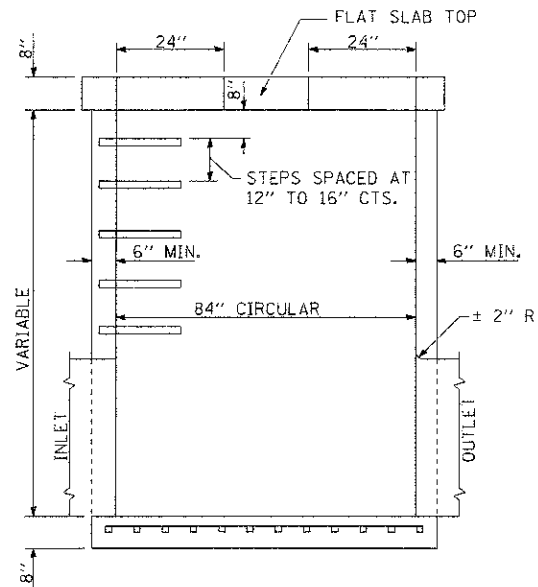
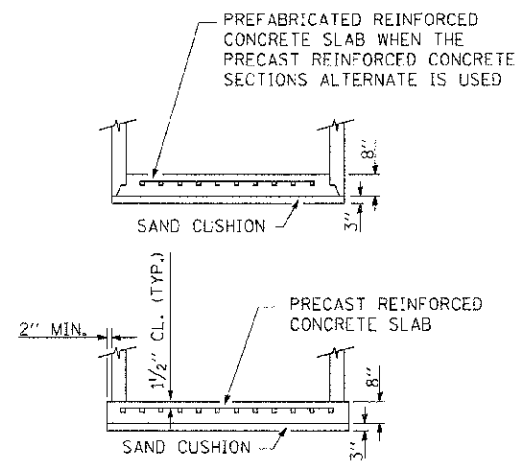


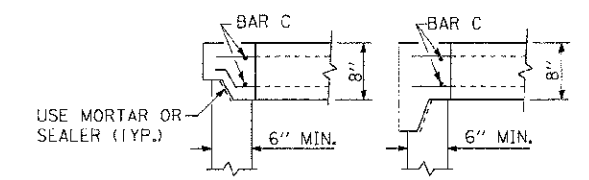
F.A.P. RTE.	SECTION	COUNTY	TOTAL SHEETS	SHEET NO.
311	(1-1)R	KENDALL	514	429
STA.		TO STA.		
FED. ROAD DIST. NO.		ILLINOIS FED. AID PROJECT		



ELEVATION



ALTERNATE BOTTOM SLABS



ALTERNATE JOINT CONFIGURATIONS

ALTERNATE MATERIALS FOR WALLS	T
CONCRETE MASONRY UNITS	5"
PRECAST REINFORCED CONCRETE SECTIONS	4"
CAST-IN-PLACE CONCRETE	6"

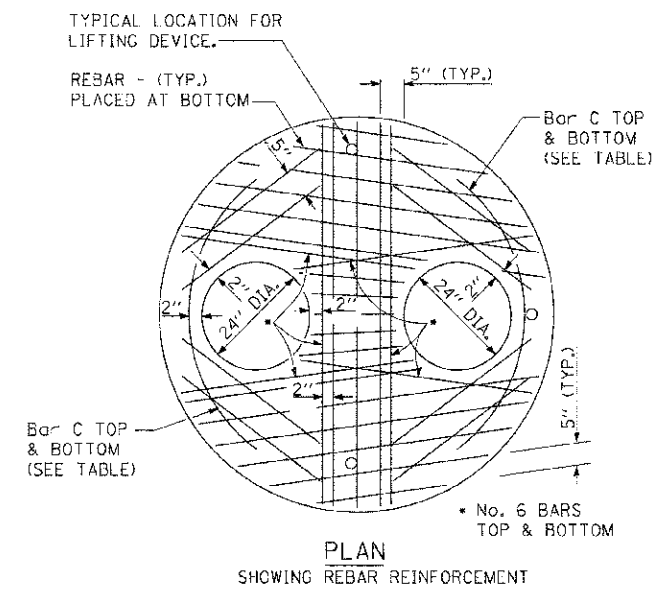
GENERAL NOTES

JOINT CONFIGURATION AND DIMENSIONS OF FLAT SLAB TOP SHALL MATCH AND FIT THE RISER JOINT DETAIL.

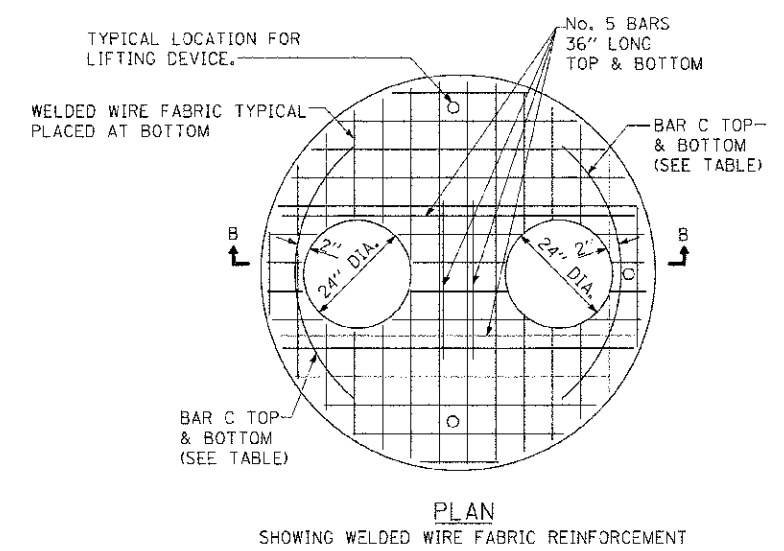
LIFTING DEVICES SHALL BE APPROVED BY THE ENGINEER.

BOTTOM SLABS SHALL BE REINFORCED WITH A MINIMUM OF 0.46 SQ. IN./FT. IN BOTH DIRECTIONS.

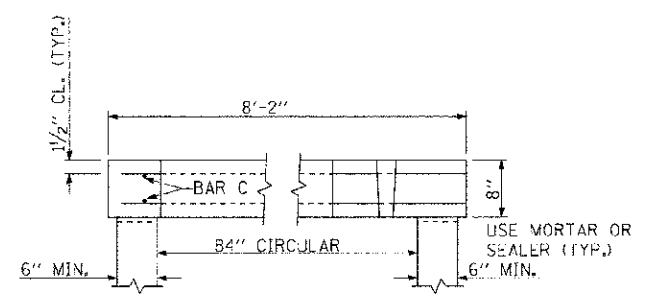
SEE STANDARD 602701 FOR DETAILS OF CAST IRON STEPS.



PLAN SHOWING REBAR REINFORCEMENT



PLAN SHOWING WELDED WIRE FABRIC REINFORCEMENT



SECTION B-B

DIAMETER OF OPENING	THICKNESS	REINFORCEMENT "AS" WWF EACH DIRECTION	BAR SIZE	No. 15 (No. 4) BAR C	
				LENGTH	RADIUS
24"	8"	1.06 SQ. IN./FT.	No. 6	6'-0"	38"

MANHOLE TYPE A, 7' DIAMETER

REVISIONS	
NAME	DATE

ILLINOIS DEPARTMENT OF TRANSPORTATION

7' DIA. MANHOLE (SPECIAL)

SCALE: VERT. _____
HORIZ. _____

DATE: 7/5/2012

DRAWN BY LP
CHECKED BY MED

TUG PROJ: 130894
 PLOT DATE: 7/5/2012
 FILE NAME: P:\AC\11\1101_01513\01513.dwg Phase I\NETS.CONV_STR.dwg