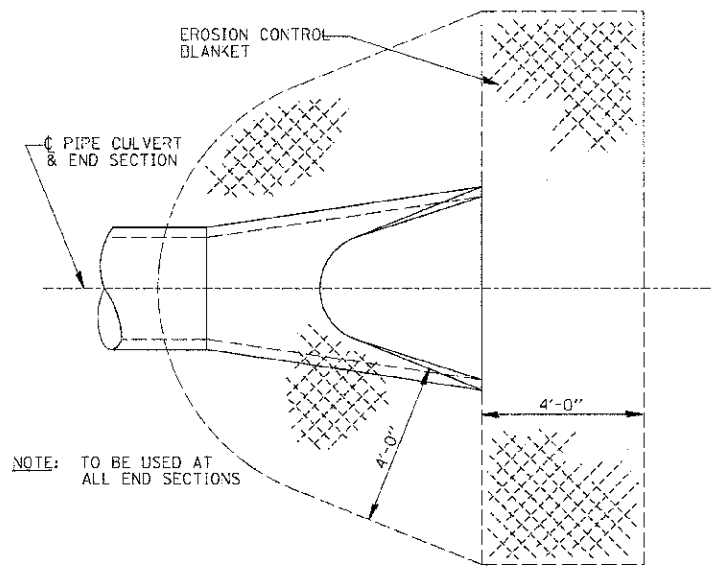


F.A.P. RTE.	SECTION	COUNTY	TOTAL SHEETS	SHEET NO.
311	(1-1)R	KENDALL	514	432
STA.		TO STA.		
FED. ROAD DIST. NO.		ILLINOIS FED. AID PROJECT		

DETAIL OF EROSION CONTROL BLANKET LINING AROUND END SECTION

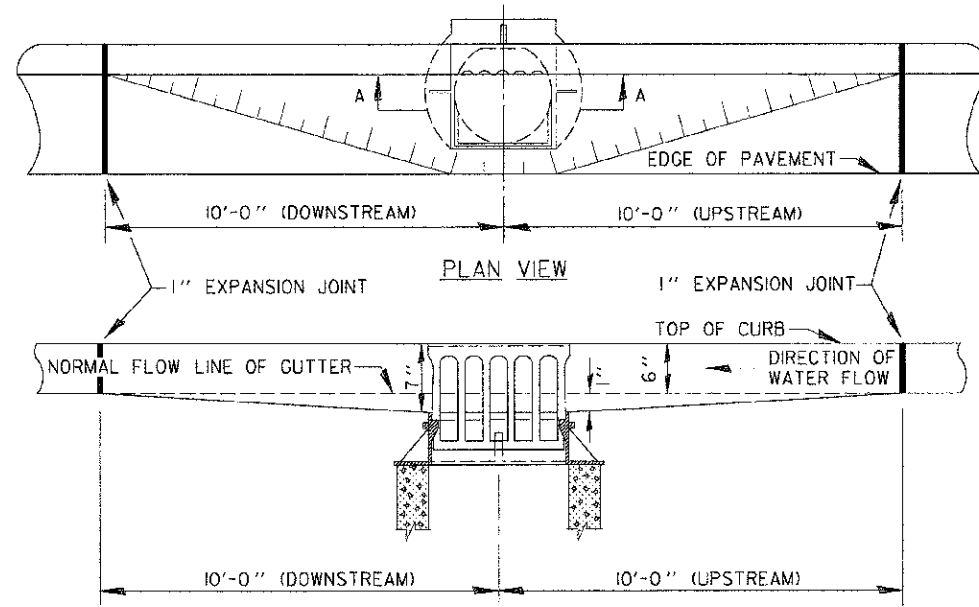


NOTE: TO BE USED AT ALL END SECTIONS

NOTE: PRC FLARED END SECTION SHOWN. TREATMENT SAME FOR OTHER END SECTIONS.

251-2

DETAIL OF DEPRESSING GUTTER GRADE AT INLETS, CATCH BASINS AND MANHOLES



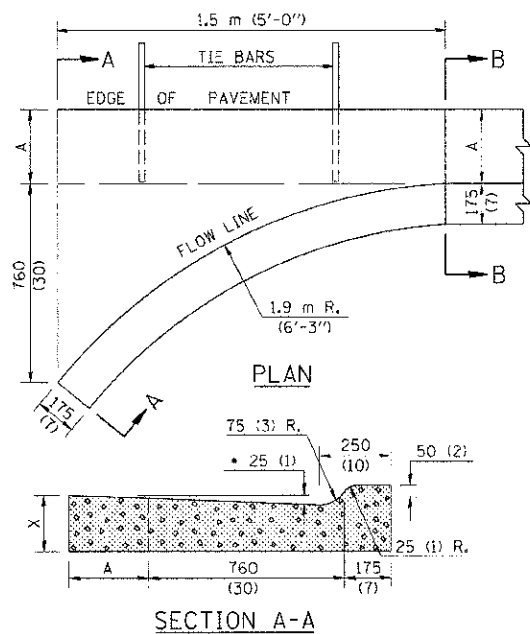
SECTION A-A

GENERAL NOTES

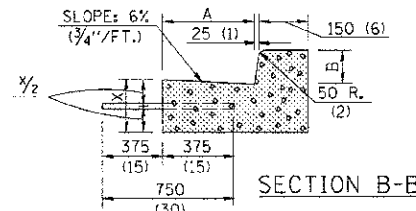
1. THE TWO EXPANSION JOINTS AS SHOWN ON STD. 2130 SHALL BE PLACED AS SHOWN ABOVE.
2. THE GUTTER GRADE SHALL BE DEPRESSED AT ALL INLETS, CATCH BASINS AND
3. THE COST OF THIS WORK SHALL BE INCLUDED IN THE COST OF THE VARIOUS PAY ITEMS OF WORK INVOLVED.

MANHOLES UNLESS OTHERWISE SPECIFIED IN THE PLANS.

DETAIL OF SPECIAL INLET FOR COMBINATION CONCRETE CURB AND GUTTER (BARRIER CURB)



SECTION A-A



SECTION B-B

NOTE: INCREASE TO 50 mm (2") WHERE IN THE PLANS IT IS SPECIFIED THAT THESE SPECIAL INLETS ARE TO BE CONSTRUCTED AS OUTLETS. ALL OUTLET LOCATIONS WILL BE CONFIRMED BY THE ENGINEER.

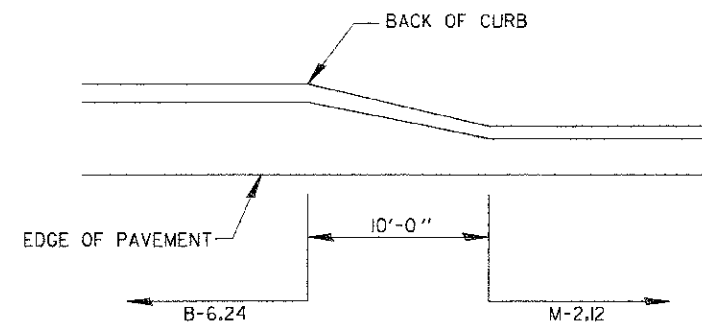
CONVERSION	B-6.30 (B-6.12)	B-22.30 (B-9.12)	B-15.45 (B-6.18)	B-22.45 (B-9.18)	B-15.60 (B-6.24)	B-22.60 (B-9.24)
A	300	300	300	300	450	450
B	150	150	225	225	150	150
X	225	250	225	250	225	250
Y	0.28	0.32	0.29	0.32	0.34	0.37
(CU. YDS.)	(0.37)	(0.42)	(0.38)	(0.42)	(0.44)	(0.49)
(CU. YD.)	(0.45)	(0.50)	(0.45)	(0.50)	(0.51)	(0.56)
(CU. YD.)	(0.52)	(0.57)	(0.52)	(0.57)	(0.58)	(0.63)

GENERAL NOTES

1. CLASS SI CONCRETE SHALL BE USED THROUGHOUT.
2. TIE BARS SHALL BE NO. 20 (NO. 6) AT 600 mm (24") CENTERS UNLESS OTHERWISE SHOWN. SPECIAL INLETS AND OUTLETS SHALL BE TIED TO THE PAVEMENT IN ACCORDANCE WITH DETAILS FOR LONGITUDINAL CONSTRUCTION JOINT SHOWN ON STANDARD 420C01.
3. TIE BARS SHOWN ABOVE WILL NOT BE PAID FOR SEPARATELY BUT SHALL BE CONSIDERED AS INCIDENTAL TO CLASS SI CONCRETE OUTLETS.
4. WHEN SPECIAL INLET IS CONSTRUCTED ADJACENT TO FLEXIBLE PAVEMENT, THE TIE BARS SHALL BE OMITTED AND ALL CONSTRUCTION JOINTS SHALL BE PROVIDED WITH A DOWELL BAR CONFORMING TO ARTICLE 1006.11(b) [(706.11)(b)].
5. THIS WORK WILL BE PAID FOR AT THE CONTRACT UNIT PRICE PER m<sup>3</sup> (CU. YD.) FOR CLASS SI CONCRETE (OUTLETS) WHICH PRICE SHALL INCLUDE ALL LABOR AND MATERIAL AS SPECIFIED AND NO ADDITIONAL COMPENSATION WILL BE ALLOWED.

All dimensions are in millimeters (inches) unless otherwise shown.

DETAIL OF TRANSITION OF B-6.24 CURB AND GUTTER TO M-2.12 CURB AND GUTTER



DESIGNED	NAME	DATE	REVISIONS
J.H.M.	J.H.M.	6/88	
P.E.K.	P.E.K.	6/88	
A-2.01	A-2.01		

REVISIONS	
NAME	DATE

ILLINOIS DEPARTMENT OF TRANSPORTATION

MISCELLANEOUS DETAILS

SCALE: VERT. HORIZ. DATE 7/5/2012

DRAWN BY SAE CHECKED BY MED