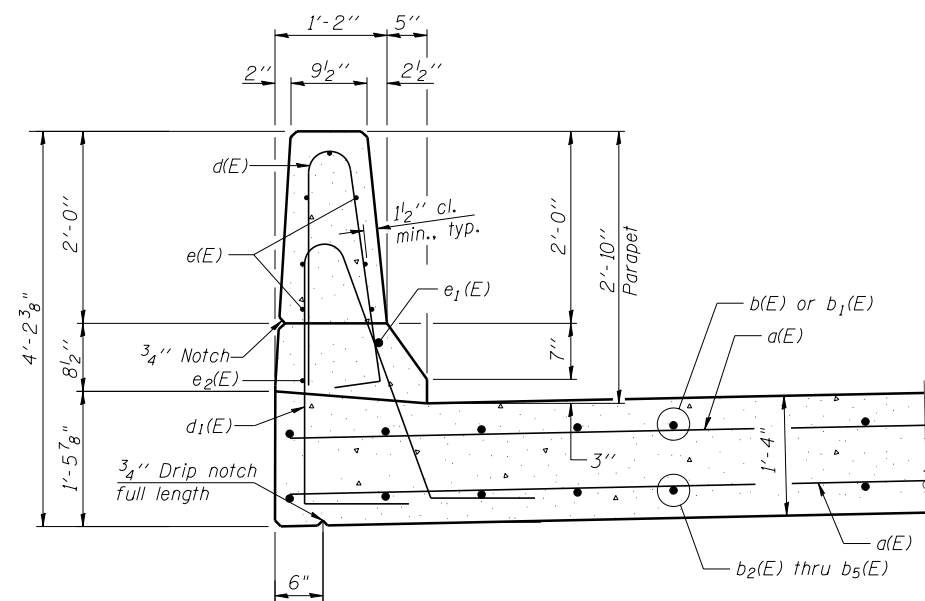


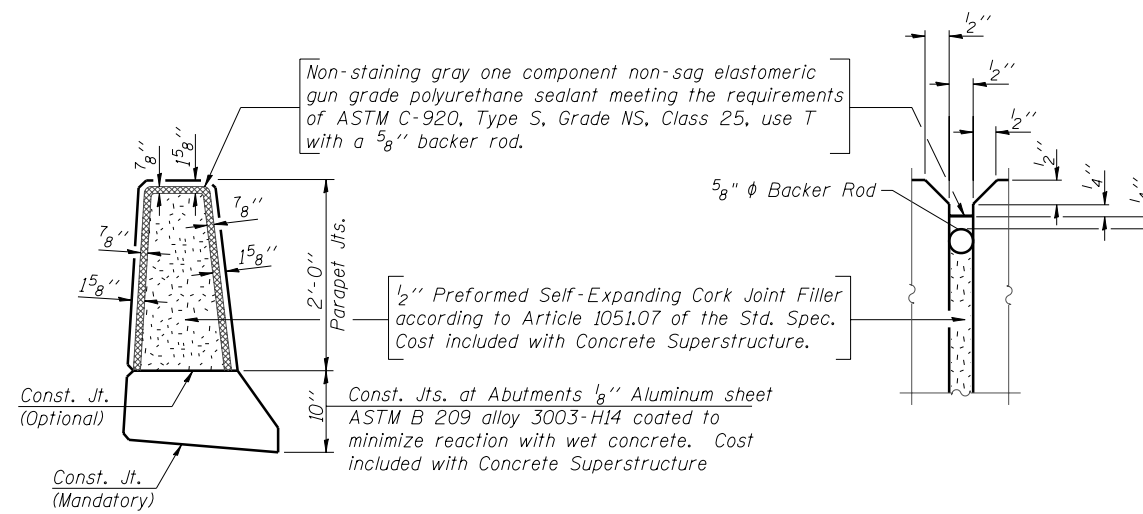
**INSIDE ELEVATION OF PARAPET**  
(East Parapet Shown, West Parapet Similar, Opposite Hand)

**MINIMUM BAR LAP**

(Parapet)  
#4 bar = 2'-0"  
#8 bar = 5'-2"



**SECTION THRU PARAPET**



**PARAPET JOINT DETAILS**

**SUPERSTRUCTURE DETAILS 1**  
**STRUCTURE NO. 027-0072**



Zroka Engineering, P.C.  
4216 North Hermitage  
Chicago, IL 60613

USER NAME = SAW	DESIGNED - LAS	REVISED -
PLOT SCALE = 0:2.0000 ' : ' / IN.	CHECKED - DAZ	REVISED -
PLOT DATE = 10/30/2012	DRAWN - SAW	REVISED -
	CHECKED - LAS	REVISED -

**STATE OF ILLINOIS**  
**DEPARTMENT OF TRANSPORTATION**

**SUPERSTRUCTURE DETAILS 1**  
**S.N. 027-0072**

SHEET NO. SA-07 OF SA-15 SHEETS

F.A.P. RTE.	SECTION	COUNTY	TOTAL SHEETS	SHEET NO.
796	(106 BR-1 & BR-4)BR	FORD	78	39
CONTRACT NO. 66980				

ILLINOIS FED. AID PROJECT

FILE NAME = ...665980-SN0270072-007-SupDet1.dgn