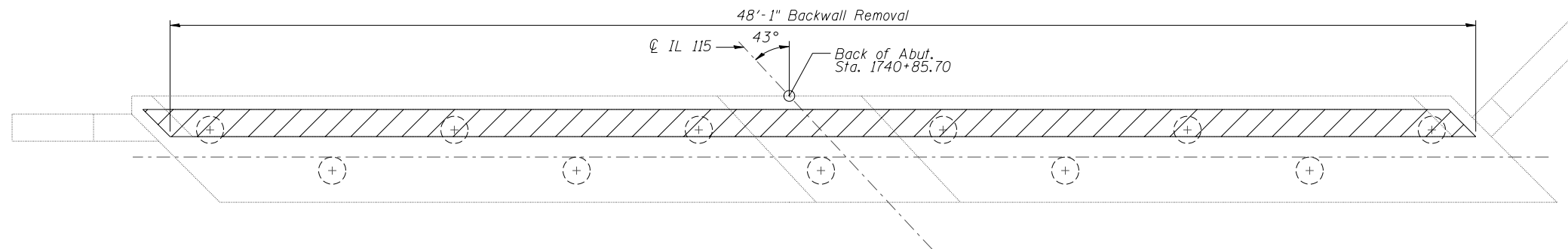
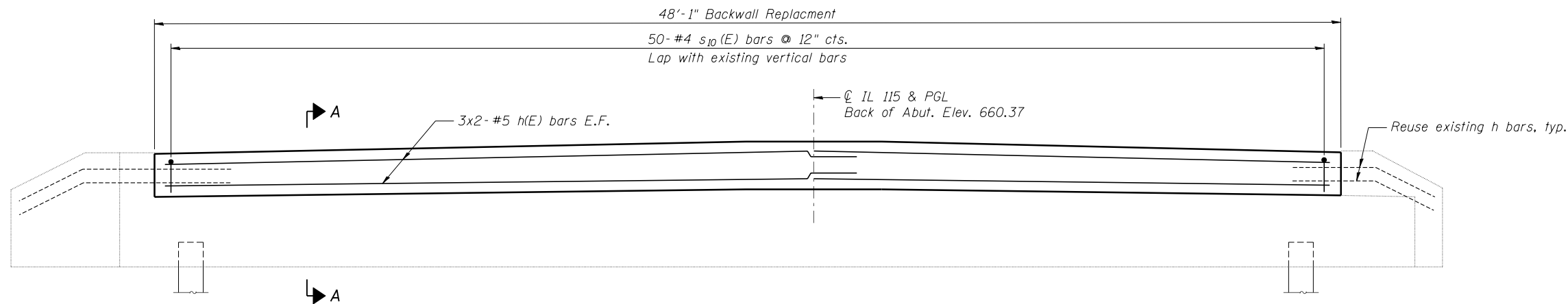


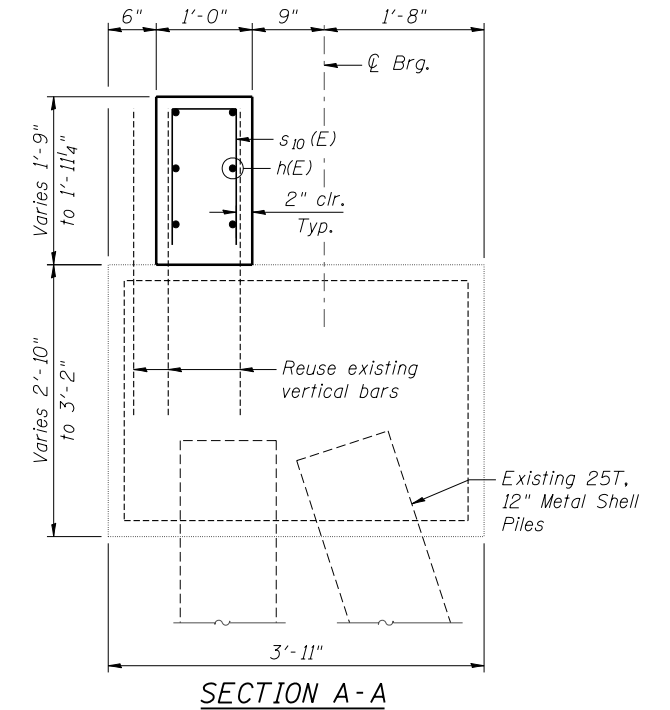
EXISTING ELEVATION
(Looking North)



EXISTING PLAN



PROPOSED ELEVATION
(Looking North)



SECTION A-A

BILL OF MATERIAL

Bar	No.	Size	Length	Shape
h(E)	12	#5	26'-3"	—
s10(E)	50	#4	3'-6"	Π
Concrete Removal			Cu. Yd.	2.7
Structure Excavation			Cu. Yd.	35
Reinforcement Bars, Epoxy Coated			Pound	450
Concrete Structures			Cu. Yd.	3.3
Structural Repair of Concrete (Depth Equal to or Less Than 5")			Sq. Ft.	1
Epoxy Crack Injection			Foot	14

LEGEND

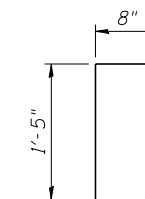
- Concrete Removal
- Structural Repair of Concrete (Depth Equal to or Less Than 5")
- Epoxy Crack Sealing

MINIMUM BAR LAP
#5 bar = 3'-8"

Existing reinforcement and dowels shall be cleaned and incorporated into the new construction. Cost included with Concrete Removal.

Repairs shown are based upon observations performed at the time of plan preparation and are for bidding purposes only. Actual areas to be repaired shall be determined by the Field Engineer at the time of construction.

Bars indicated thus 3x2-#5 etc. indicates 3 lines of bars with 2 lengths per line.



BAR s10(E)

NORTH ABUTMENT REPAIRS
STRUCTURE NO. 027-0072

FILE NAME = ...G65980-SN0270072-013-NorthAbutRepairs.dgn



USER NAME = SAW	DESIGNED - LAS	REVISED -
PLOT SCALE = 0:2.0000 ' / IN.	CHECKED - DAZ	REVISED -
PLOT DATE = 10/30/2012	DRAWN - SAW	REVISED -
	CHECKED - LAS	REVISED -

STATE OF ILLINOIS
DEPARTMENT OF TRANSPORTATION

NORTH ABUTMENT REPAIRS
S.N. 027-0072

SHEET NO. SA-13 OF SA-15 SHEETS

F.A.P. RTE.	SECTION	COUNTY	TOTAL SHEETS	SHEET NO.
796	(106 BR-1 & BR-4)BR	FORD	78	45
CONTRACT NO. 66980				
ILLINOIS FED. AID PROJECT				