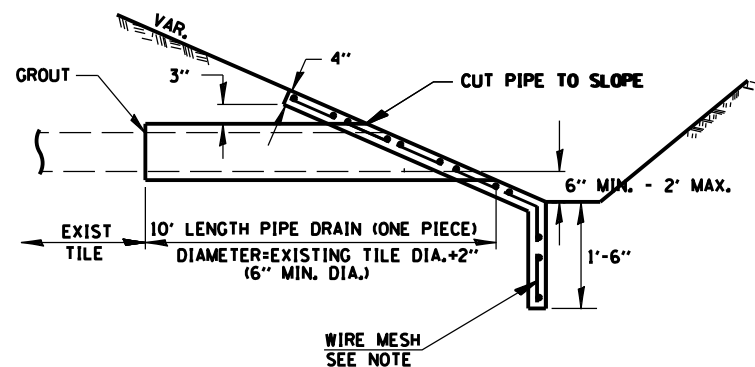
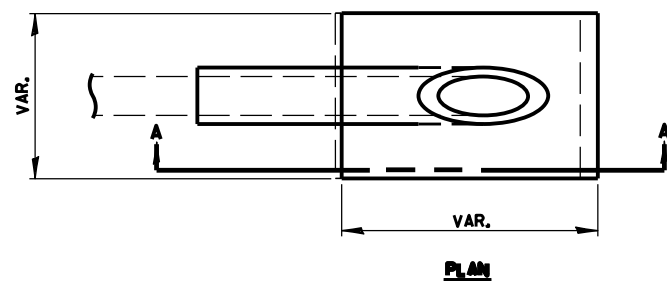
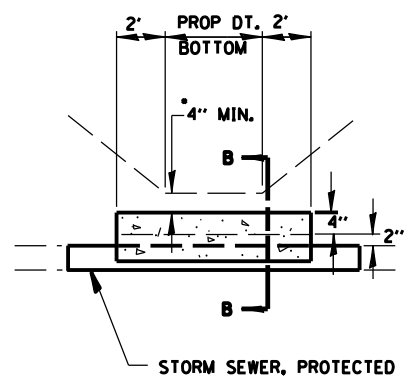


**FIELD TILE REPLACEMENT**



**SECTION A-A**

**CLASS SI CONCRETE HEADWALLS**



**DETAIL A**

NO SCALE

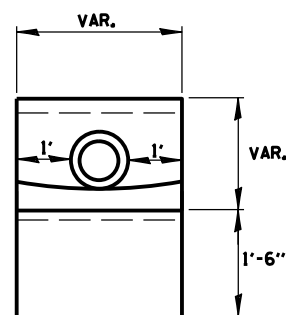
\* IF A 4" COVER CAN NOT BE PROVIDED A PAVED DITCH SHALL BE CONSTRUCTED AS SHOWN IN DETAIL C.

**NOTES**

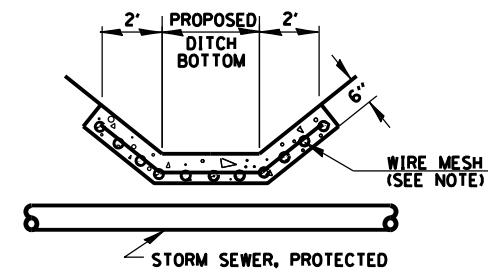
1. WIDTH OF CONCRETE SLAB SHALL BE THE SAME AS THE TRENCH WIDTH IN ACCORDANCE WITH SECTION 550 OF THE STD. SPECIFICATIONS, OR 3' MIN.
2. CONCRETE FOR SLAB, HEADWALL AND PAVED DITCH SHALL BE PAID FOR AT THE CONTRACT UNIT PRICE PER CUBIC YARD FOR "MISCELLANEOUS CONCRETE."
3. COST OF FURNISHING AND INSTALLING WIRE MESH SHALL BE INCLUDED IN THE CONTRACT UNIT PRICE PER CUBIC YARD FOR MISCELLANEOUS CONCRETE. WIRE MESH TO WEIGH NOT LESS THAN 58# PER 100 SQ. FT.

**NOTES**

1. ANY STORM SEWER OR FIELD TILE OUTLET INTO A DITCH SHALL HAVE A HEADWALL BUILT IN ACCORDANCE WITH THIS DETAIL.
2. COST OF FURNISHING AND INSTALLING WIRE MESH SHALL BE INCLUDED IN THE CONTRACT UNIT PRICE PER CUBIC YARD FOR MISCELLANEOUS CONCRETE. WIRE MESH TO WEIGH NOT LESS THAN 58# PER 100 SQ. FT.

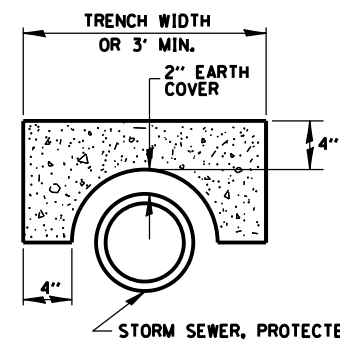


**END VIEW**

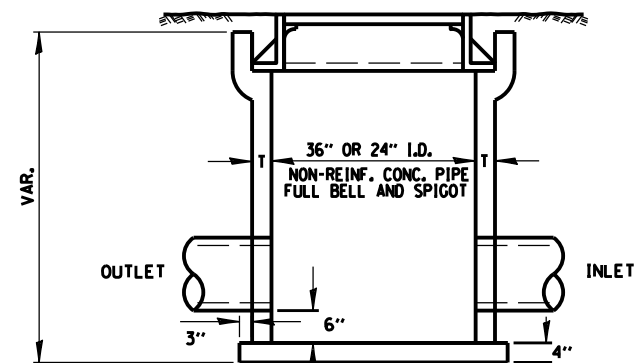


**DETAIL C**

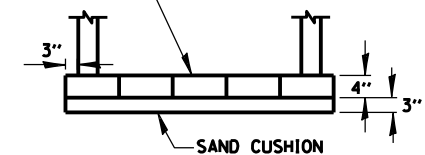
NO SCALE



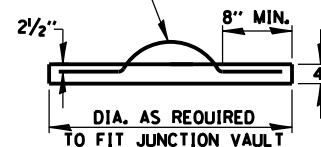
**SECTION B-B**



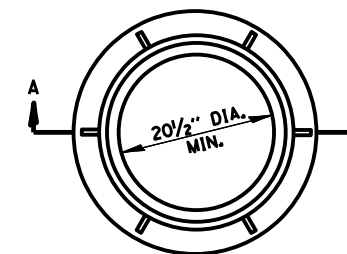
CLASS SI CONCRETE OR PRECAST REINFORCED CONCRETE SLABS NOT LESS THAN 12" WIDE



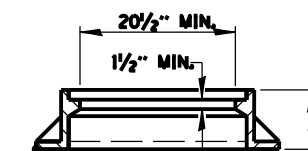
1 NO. 4 BAR LIFT LOOP



**FIELD TILE JUNCTION VAULT**



± 145°



**SECTION A-A**

ALTERNATE MATERIALS FOR WALLS	T
PRECAST REINFORCED CONCRETE RISERS	4"
CONCRETE MASONRY UNIT	5"
MONOLITHIC CONCRETE	6"
BUILDING BRICK, GRADE SW FROM CLAY OR SHALE	8"
CONCRETE BUILDING BRICK, GRADE A	8"

**NOTES**

1. THE CONTRACT UNIT PRICE FOR FIELD TILE JUNCTION VAULT SHALL INCLUDE THE COST OF FURNISHING AND PLACING THE FRAME AND GRATE OR PRECAST CONCRETE LID AND WHEN REQUIRED, THE SAND CUSHION.
2. ALL FIELD TILE JUNCTION VAULTS SHALL BE 2'-0" IN DIAMETER UNLESS OTHERWISE NOTED ON THE PLANS.