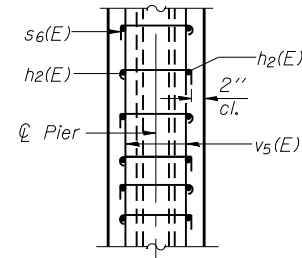
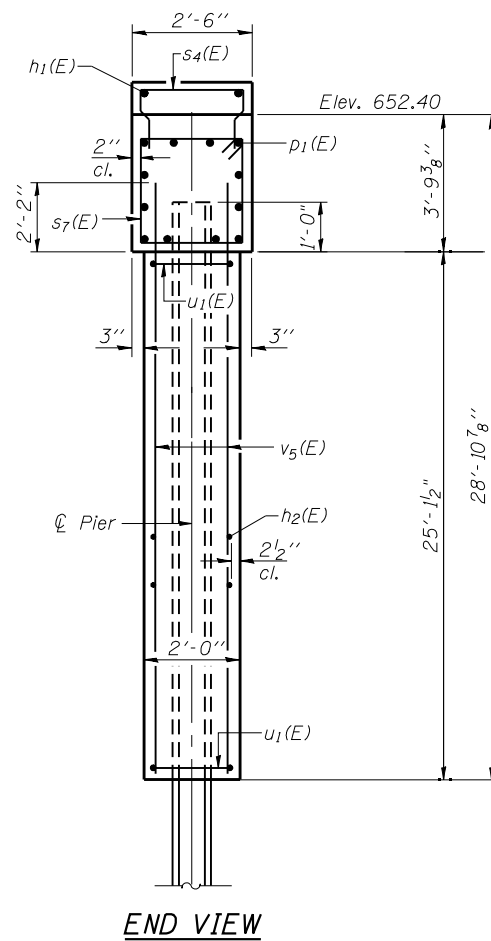


Notes:
 Space reinforcement in cap to miss anchor bolts.
 Pour steps monolithically with cap.
 For details of piles and encasement, see sheet 38 of 45.



SECTION THRU WALL AT PILE LOCATION

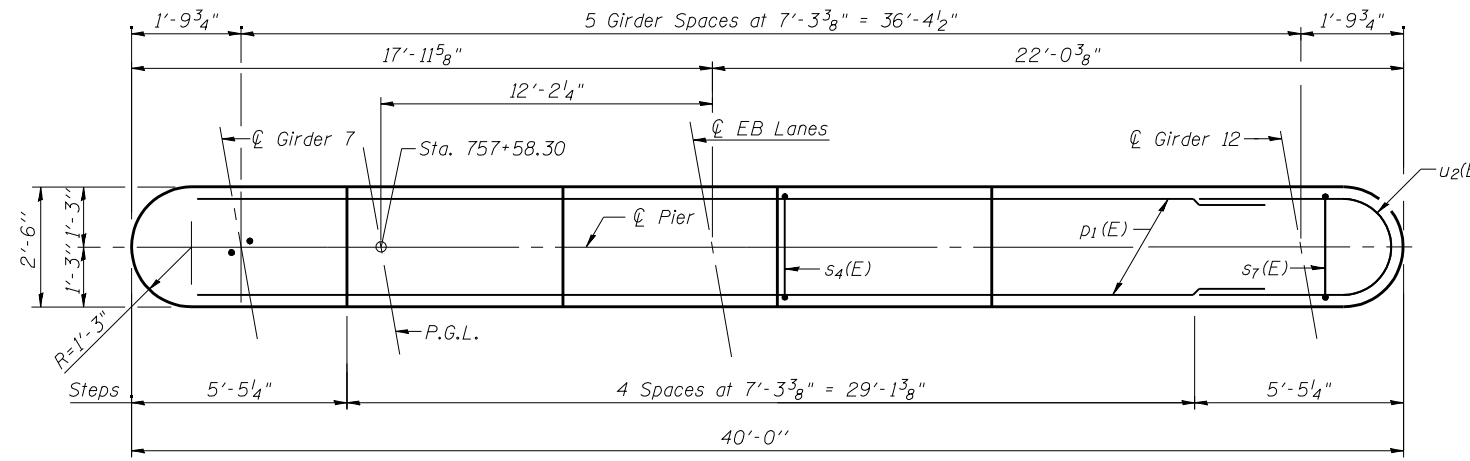
Showing alternative placement of $s_6(E)$ bars



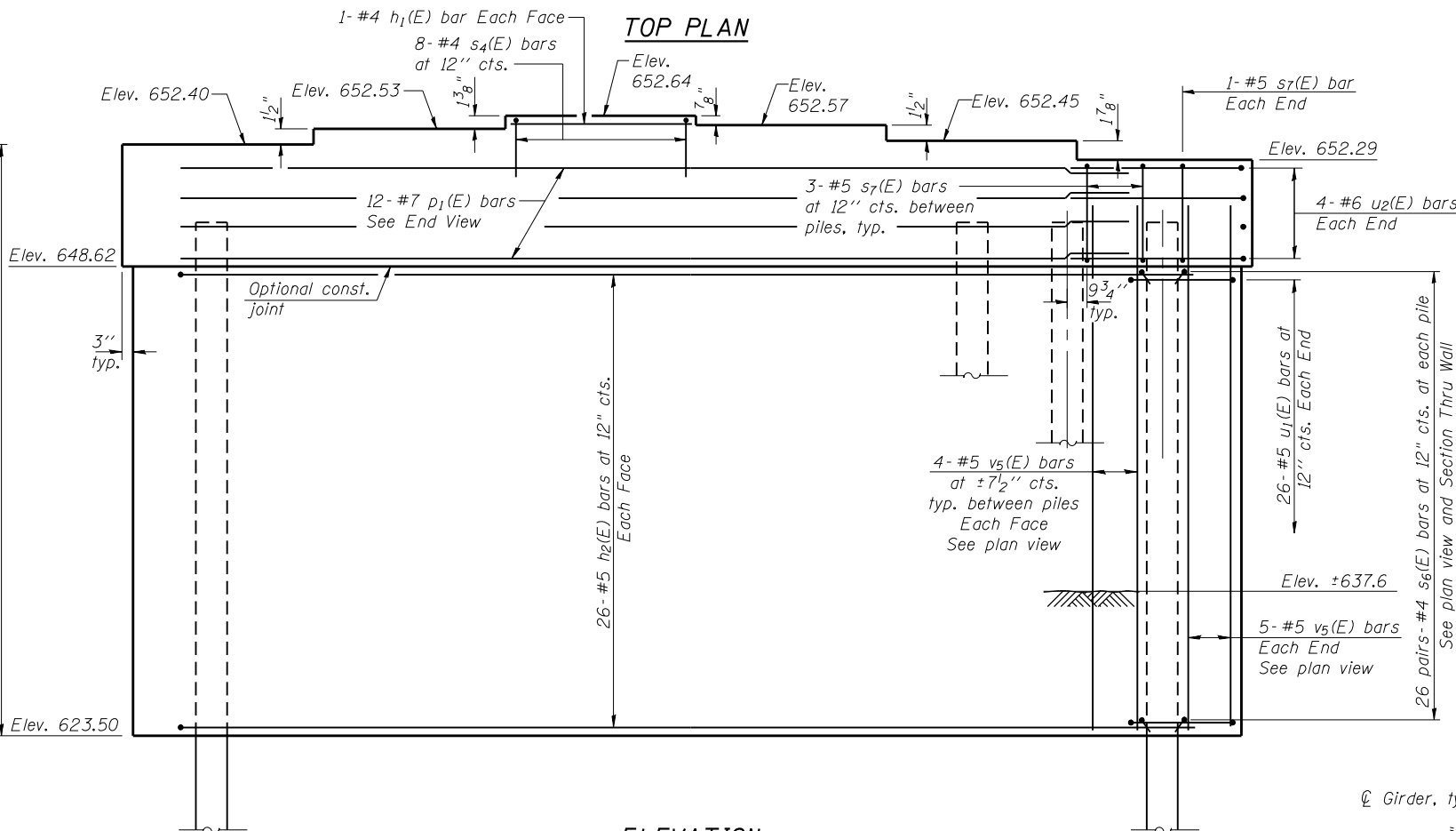
END VIEW

PILE DATA

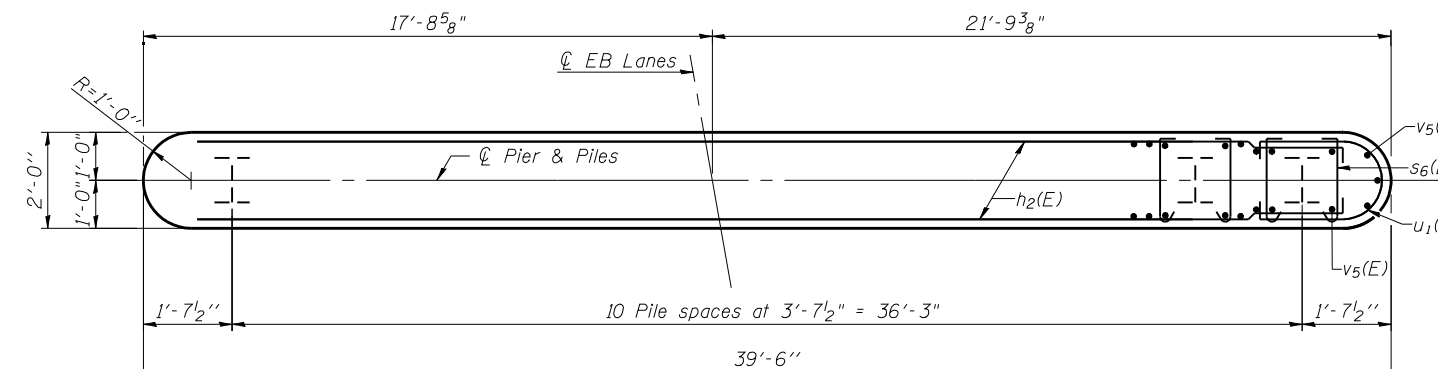
Type: Steel HP 14x89 with pile shoes
 Nominal Required Bearing: 705 kip
 Factored Resistance Available: 388 kip
 Est. Length: 57 ft.
 No. Production Piles: 10
 No. Test Piles: 1



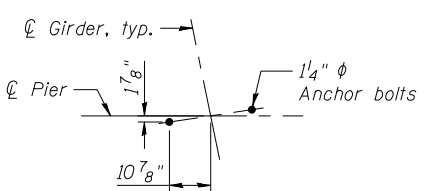
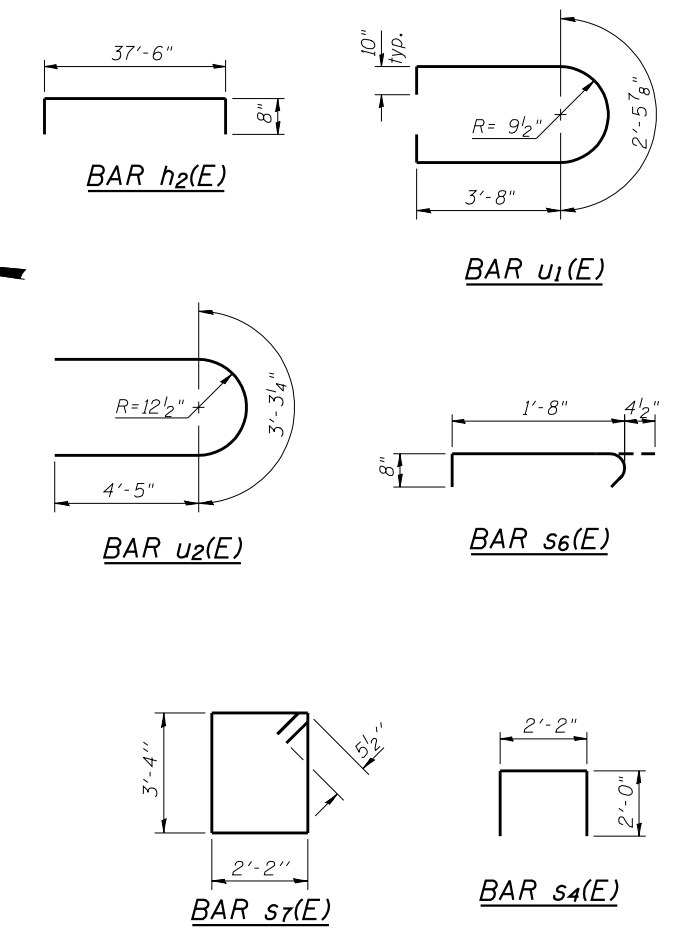
TOP PLAN



ELEVATION (Looking East)



PLAN



ANCHOR BOLT LOCATION DIAGRAM

BILL OF MATERIAL

Bar	No.	Size	Length	Shape
$h_1(E)$	2	#4	7'-0"	—
$h_2(E)$	52	#5	38'-10"	U
$p_1(E)$	12	#7	37'-6"	—
$s_4(E)$	8	#4	6'-2"	U
$s_6(E)$	572	#4	2'-9"	U
$s_7(E)$	32	#5	11'-11"	□
$u_1(E)$	52	#5	11'-6"	U
$u_2(E)$	8	#6	12'-2"	U
$v_5(E)$	90	#5	27'-3"	—
Concrete Structures		Cu. Yd.	84.9	
Reinforcement Bars, Epoxy Coated		Pound	7840	
Furnishing Steel Piles HP 14 x 89		Foot	570	
Driving Piles		Foot	570	
Test Pile Steel HP 14 x 89		Each	1	
Pile Shoes		Each	11	
Cofferdam Excavation		Cu. Yd.	301	
Seal Coat Concrete		Cu. Yd.	52.8	

**PIER 2
 STRUCTURE NO. 036-0062 (EB)**

FILE NAME = 0063-78134-037-pier2_eb.dgn
 V:\PROJECTS\0063-78134-037-PIER 2\PIER 2.dwg
 CB PROJECT NO. 04065

Coombe-Bloxdorf P.C.
 CIVIL ENGINEERS-
 STRUCTURAL ENGINEERS-
 LAND SURVEYORS
 Design Firm License No. 184-002703

USER NAME = .MML.
 PLOT SCALE = 0/2" = 1" / IN.
 PLOT DATE = 10/16/2012

DESIGNED - CME
 CHECKED - MCB
 DRAWN - MML
 CHECKED - MCB

REVISED -
 REVISED -
 REVISED -
 REVISED -

**STATE OF ILLINOIS
 DEPARTMENT OF TRANSPORTATION**

**PIER 2
 STRUCTURE NO. 036-0062 (E.B.)**
 SHEET NO. 37 OF 45 SHEETS

F.A.P. RTE. 313 SECTION 7-2, 6-1 COUNTY HENDERSON TOTAL SHEETS 976 SHEET NO. 490 CONTRACT NO. 68409 ILLINOIS FED. AID PROJECT