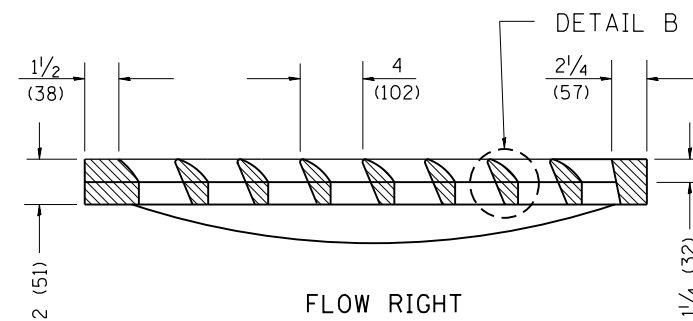
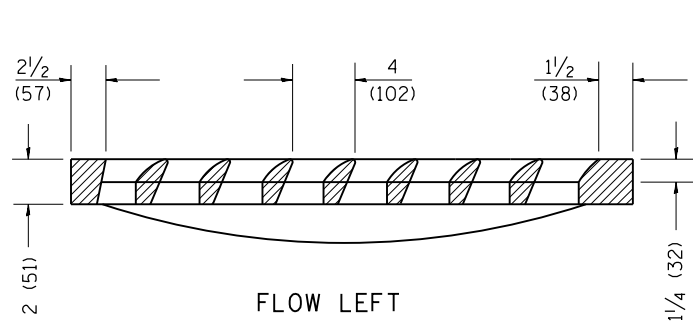
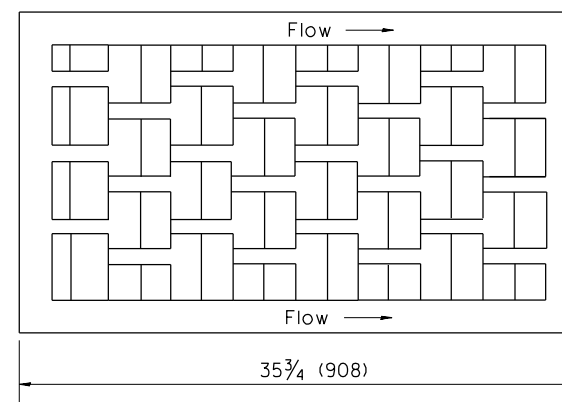
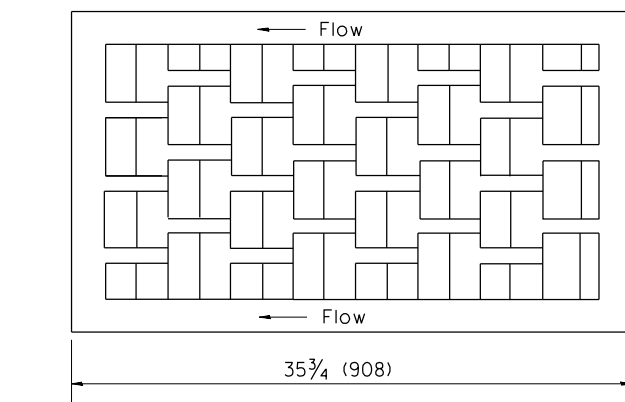
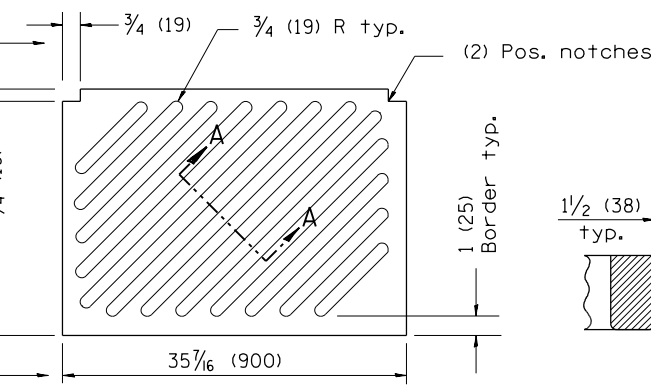
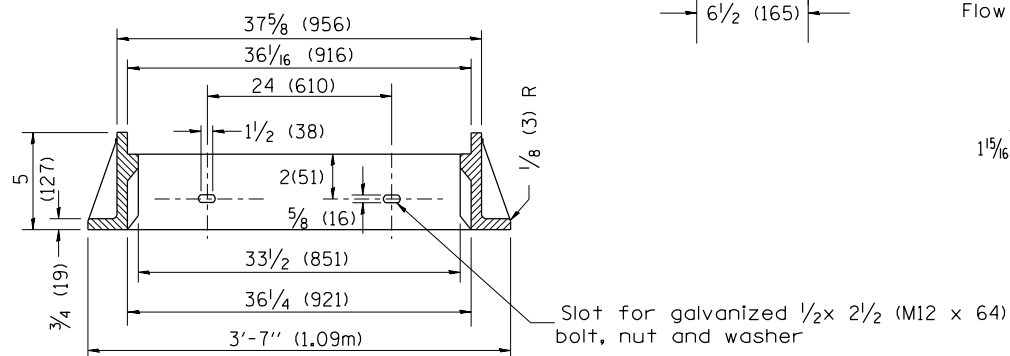
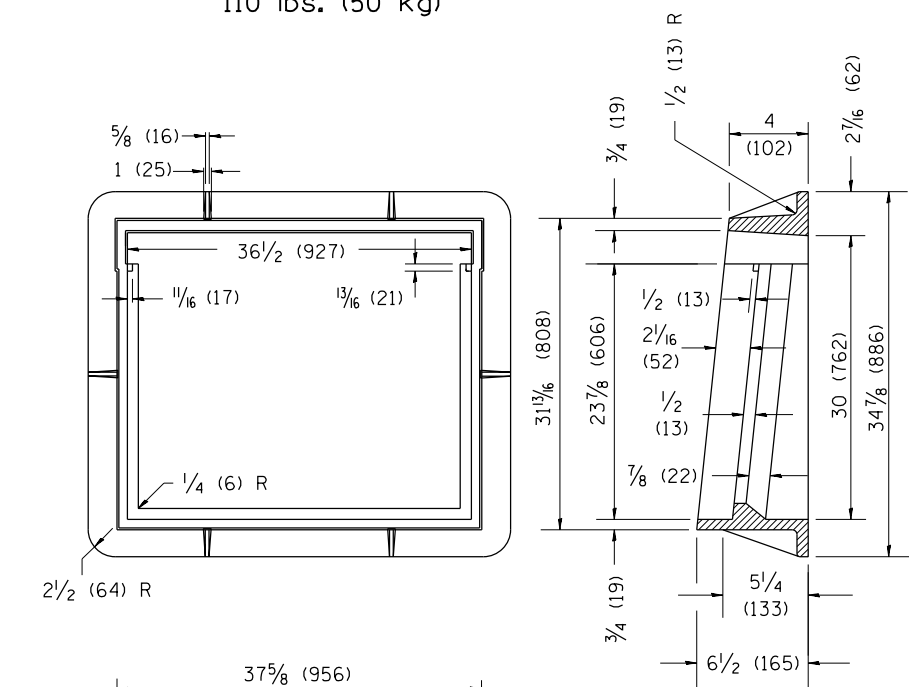
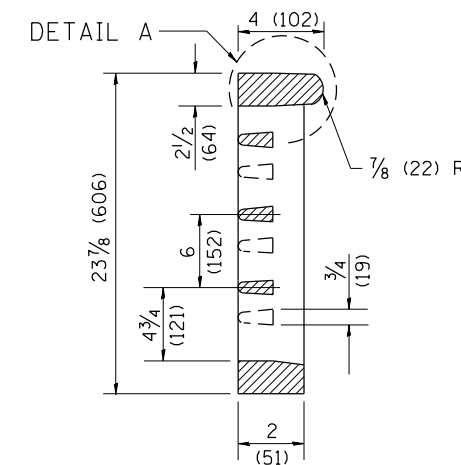


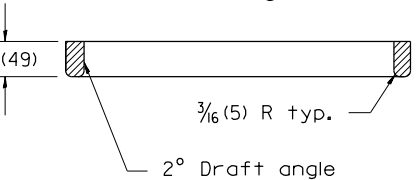
CAST CURB BOX
110 lbs. (50 kg)



CAST VANE GRATES
(SPECIFY LEFT OR RIGHT FLOW)
230 lbs. (104 KG)

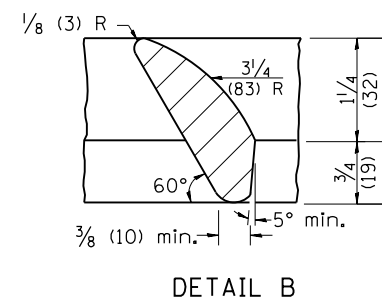
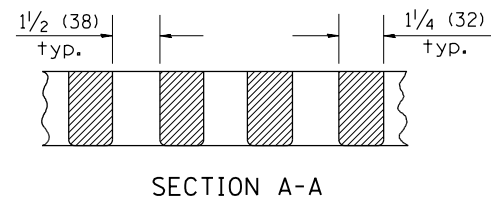
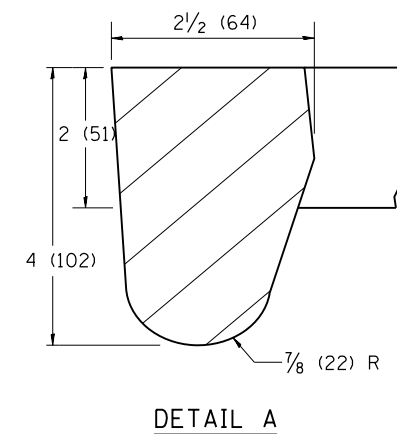


NOTE: Flow right shown



CAST DIAGONAL GRATE
(Reversible for flow)
217 lbs. (98 kg)

CAST VANE GRATES
(SPECIFY LEFT OR RIGHT FLOW)
230 lbs. (104 KG)



GENERAL NOTES

1. The frame and grate shown on this drawing are for use with all TYPE G-1 and TYPE G-1, SPECIAL DRAINAGE STRUCTURES. See plans for grate type and flow direction.
2. Flow direction: As viewed from street side.
3. Material: cast gray iron.

All dimensions are in inches (millimeters) unless otherwise noted.

01-01-97	RENUM. B-10.01, NEW REVISION BOX	T.P.
10-16-06	REVISED TO 2007 SPEC.	M.A.

STATE OF ILLINOIS
DEPARTMENT OF TRANSPORTATION

FRAME & GRATES FOR TYPE G-1 AND TYPE G-1,
SPECIAL DRAINAGE STRUCTURES

NOT TO SCALE

CADD STD. 604001-D4

F.A.P. RTE.	SECTION	COUNTY	TOTAL SHEETS	SHEET NO.
313	7-2 ; 6-1	HENDERSON	976	564
CONTRACT NO. 68409				
FED. ROAD DIST. NO. ILLINOIS FED. AID PROJECT				