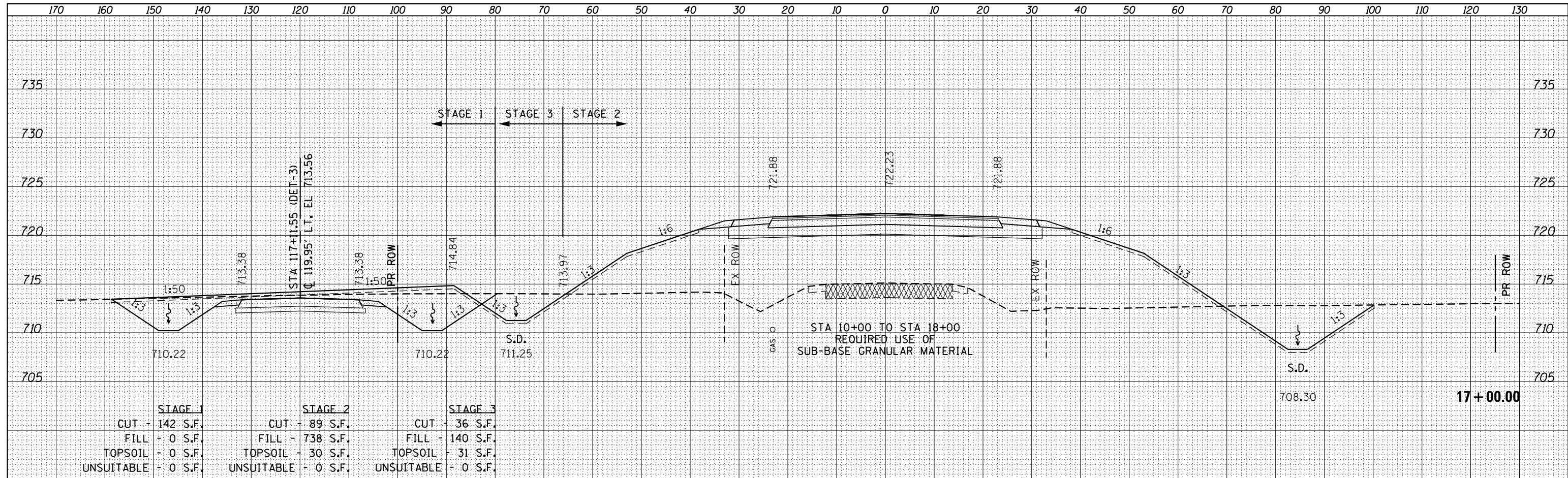
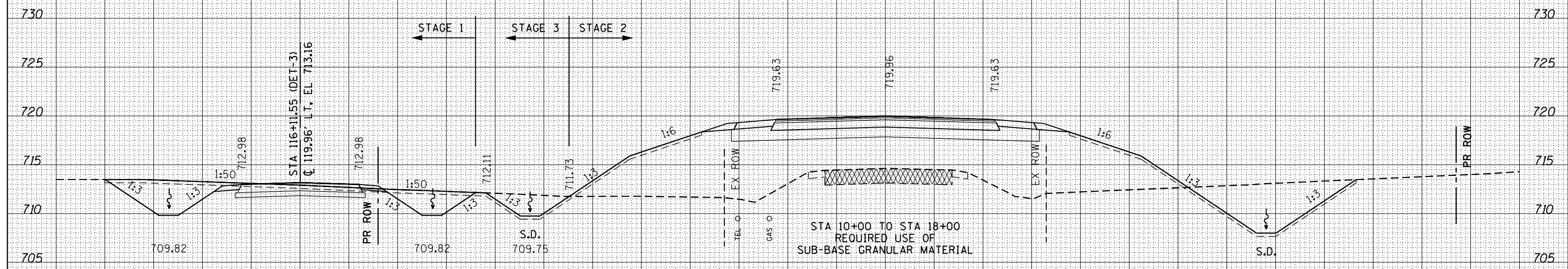


DATE	
BY	
FINISHED SURVEY	
PLOTTED	
TEMPLATE	
NOTE BOOK	
AREAS CHECKED	
NO.	

DATE	
BY	
ORIGINAL SURVEY	
PLOTTED	
TEMPLATE	
NOTE BOOK	
AREAS CHECKED	
NO.	



STAGE 1	STAGE 2	STAGE 3
CUT - 142 S.F.	CUT - 89 S.F.	CUT - 36 S.F.
FILL - 0 S.F.	FILL - 738 S.F.	FILL - 140 S.F.
TOPSOIL - 0 S.F.	TOPSOIL - 30 S.F.	TOPSOIL - 31 S.F.
UNSUITABLE - 0 S.F.	UNSUITABLE - 0 S.F.	UNSUITABLE - 0 S.F.



STAGE 1	STAGE 2	STAGE 3
CUT - 101 S.F.	CUT - 109 S.F.	CUT - 31 S.F.
FILL - 0 S.F.	FILL - 560 S.F.	FILL - 77 S.F.
TOPSOIL - 0 S.F.	TOPSOIL - 29 S.F.	TOPSOIL - 32 S.F.
UNSUITABLE - 0 S.F.	UNSUITABLE - 0 S.F.	UNSUITABLE - 0 S.F.

FILE NAME = D468409-SHT-XSSHT-IL 94-1500E.dgn

USER NAME = zachl	DESIGNED - DBS	REVISED -
	DRAWN - PSBA	REVISED -
PLOT SCALE = 20.0000' / in.	CHECKED - CSB	REVISED -
PLOT DATE = 10/16/2012	DATE - 10/2012	REVISED -

STATE OF ILLINOIS
DEPARTMENT OF TRANSPORTATION

CROSS SECTIONS
IL ROUTE 94 / 116

SCALE: NOTED SHEET NO. 10 OF 33 SHEETS STA. 16+00.00 TO STA. 17+00.00

F.A.P. RTE.	SECTION	COUNTY	TOTAL SHEETS	SHEET NO.
313	7-2 ; 6-1	HENDERSON	976	838
CONTRACT NO. 68409				

ILLINOIS FED. AID PROJECT