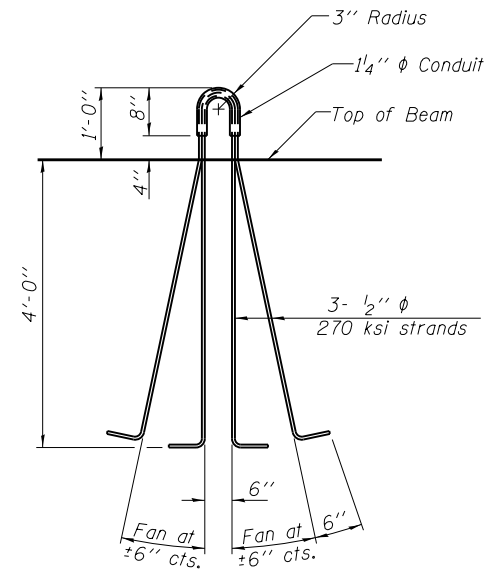
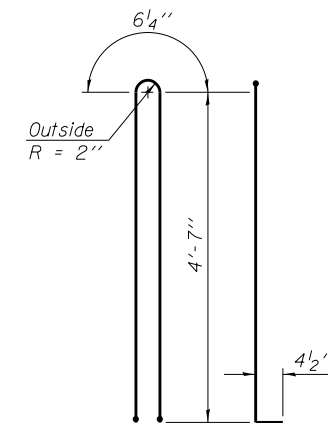


NOTES

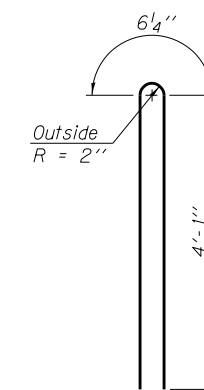
Inserts for $\frac{3}{4}$ " ϕ threaded dowel rods, when specified, are to be two strut, ferrule type for interior beams and single ferrule, flared loop type for exterior beams.
 Prestressing steel shall be uncoated high strength, low relaxation 7-wire strand, Grade 270. The nominal diameter shall be $\frac{1}{2}$ " and the nominal cross-sectional area shall be 0.153 sq. in.
 A minimum $2\frac{1}{2}$ " ϕ lifting pin shall be used to engage the lifting loops during handling.
 The top and bottom plates shall be AASHTO M270 Grade 50.
 The bottom plates and studs shall be galvanized according to AASHTO M111. Top plates and threaded rods need not be galvanized.
 Threaded rods shall be ASTM F 1554 Grade 55.



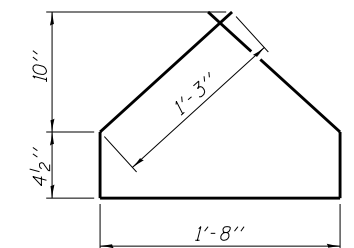
LIFTING LOOP DETAIL



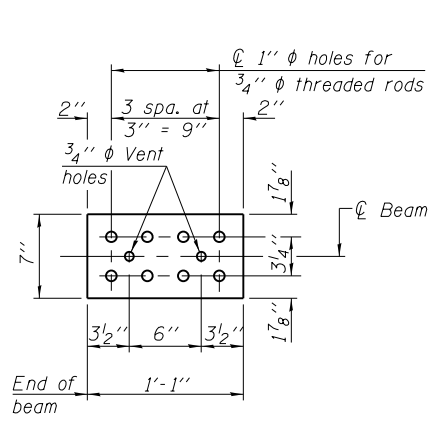
BAR G1



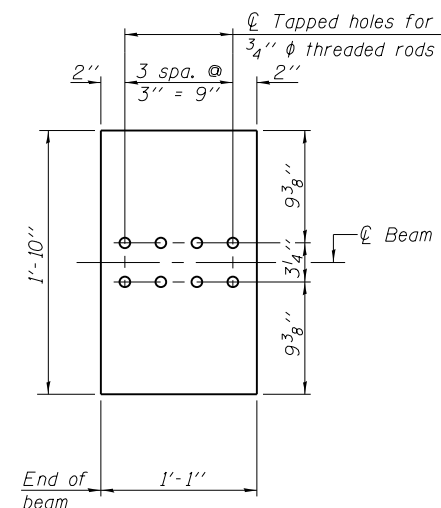
BAR G2



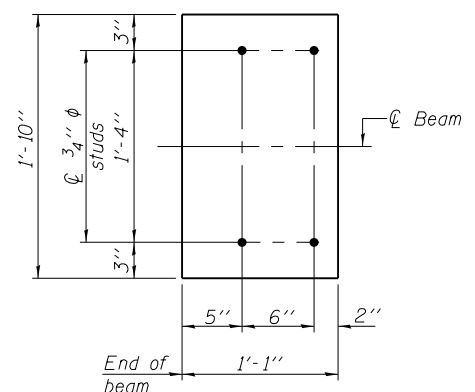
BAR G4



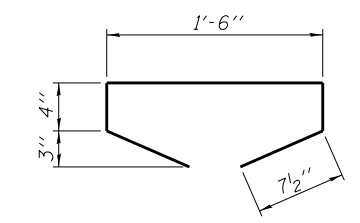
TOP PLATE



BOTTOM PLATE (Showing threaded rods)



BOTTOM PLATE (Showing studs)



BAR G5

BILL OF MATERIAL

Item	Unit	Total
Furnishing and Erecting Precast Prestressed Concrete I-Beams, 54"	Ft.	687

FILE NAME = C:\Users\sparks\OneDrive\Documents\0590515-72A19-017-beam-de.dgn
 CB PROJECT NO. 10805-1

PI-4-54D

1-28-11

Coombe-Bloxdorf P.C.
 CIVIL ENGINEERS
 STRUCTURAL ENGINEERS
 LAND SURVEYORS
 Design Firm License No. 184-002703

USER NAME = sparksq	DESIGNED - CME	REVISED -
PLOT SCALE = 0:2.0000 '1' / in.	CHECKED - MCB/RKM	REVISED -
PLOT DATE = Oct-19-2012 02:14:56PM	DRAWN - MML	REVISED -
	CHECKED - MCB	REVISED -

**STATE OF ILLINOIS
 DEPARTMENT OF TRANSPORTATION**

**54" PPC I-BEAM DETAILS
 STRUCTURE NO. 059-0515**

SHEET NO. 17 OF 22 SHEETS

F.A.P. RTE.	SECTION	COUNTY	TOTAL SHEETS	SHEET NO.
325	116BR-1	MACOUPIN	67	53
ILLINOIS FED. AID PROJECT			CONTRACT NO. 72A19	