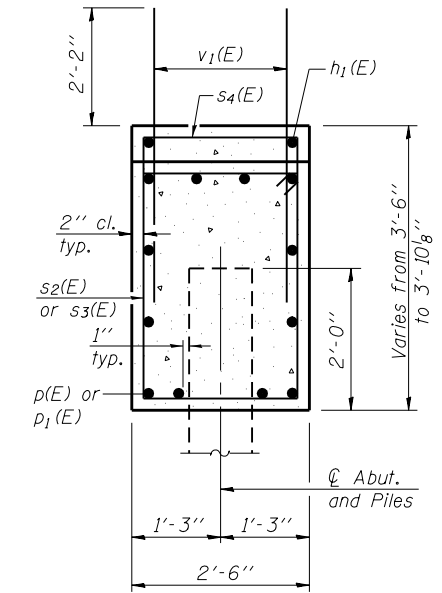
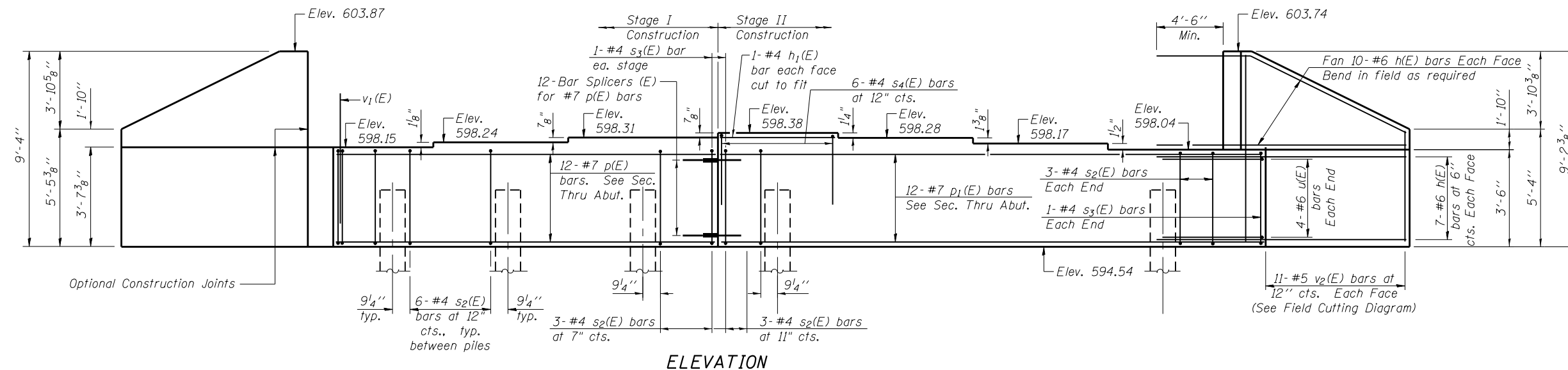


Notes:
Four steps monolithically with cap.



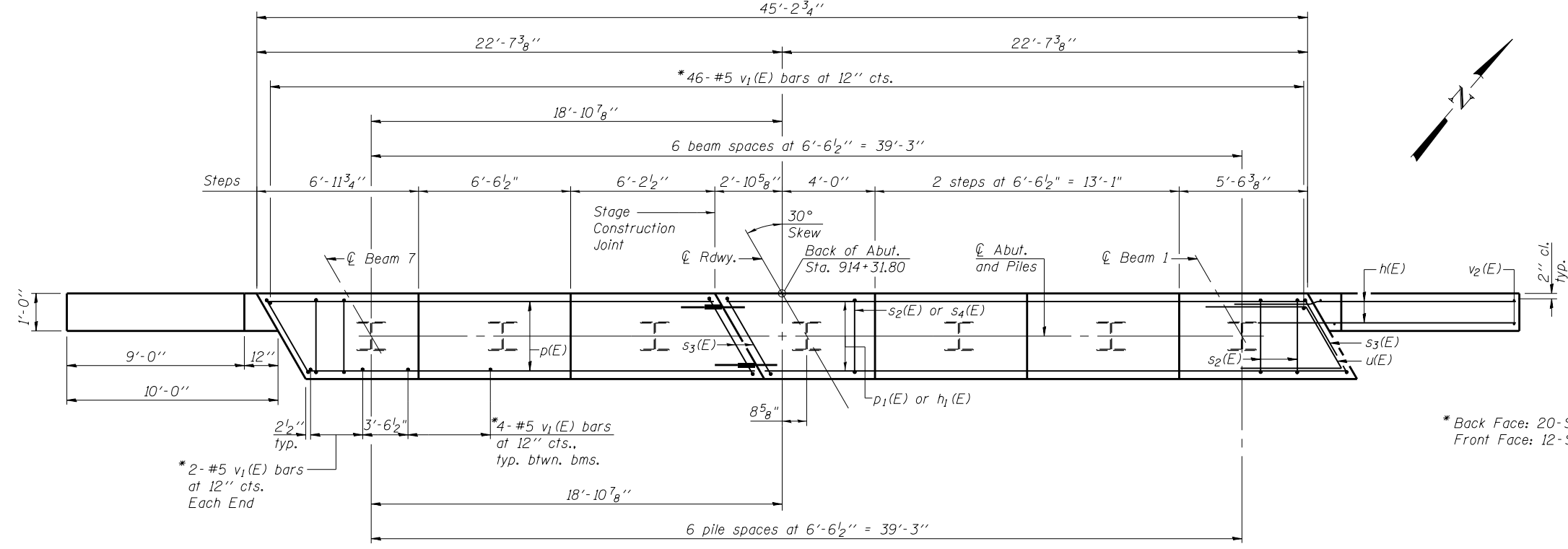
ELEVATION

SEC. THRU ABUT.

BILL OF MATERIAL

Bar	No.	Size	Length	Shape
h(E)	68	#6	14'-4"	—
h1(E)	2	#4	6'-6"	—
p(E)	12	#7	19'-4"	—
d1(E)	12	#7	25'-2"	—
s2(E)	42	#4	11'-5"	□
s3(E)	4	#4	12'-1"	□
s4(E)	6	#4	6'-2"	□
u(E)	8	#6	11'-3"	∩
v1(E)	74	#5	4'-4"	—
v2(E)	22	#5	13'-10"	—
Structure Excavation		Cu. Yd.	193	
Concrete Structures		Cu. Yd.	20.9	
Reinforcement Bars, Epoxy Coated		Pound	3400	
Furnishing Steel Piles HP 12x53		Foot	180	
Driving Piles		Foot	180	
Test Pile Steel HP 12x53		Each	1	

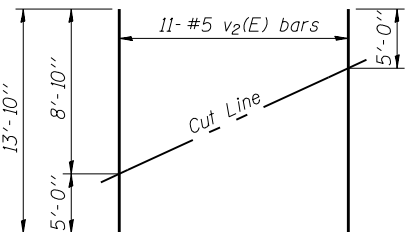
* For details of Bar Splicers, see sheet 21 of 22.
For details of piles, see sheet 20 of 22.



PLAN

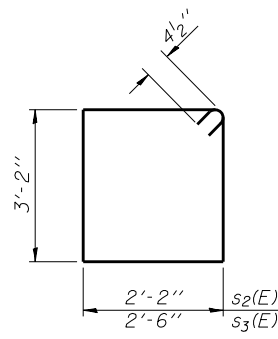
PILE DATA

Type: HP 12x53
Nominal Required Bearing: 419 k
Factored Resistance Available: 230 k
Est. Length: 30'
No. Production Piles: 6
No. Test Piles: 1

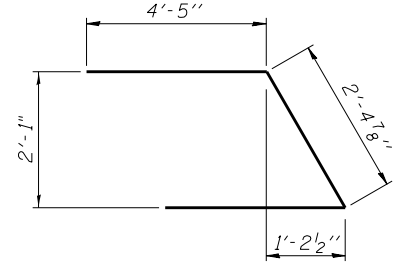


FIELD CUTTING DIAGRAM

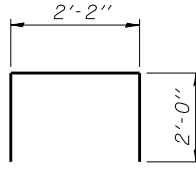
Order v2(E) full length. Cut as shown and use remainder of bars in opposite face.



BARS s2(E) & s3(E)



BAR u(E)



BAR s4(E)

FILE NAME = ... PROJECT NO. 108005-1

AI-L
Coombe-Bloxdorf P.C.
CIVIL ENGINEERS-
STRUCTURAL ENGINEERS-
LAND SURVEYORS-
Design Firm License No. 184-002703

USER NAME = sparksgw	DESIGNED - CME	REVISED -
PLOT SCALE = 0:2.0000 '1' / in.	CHECKED - MCB	REVISED -
PLOT DATE = Oct-19-2012 02:14:58PM	DRAWN - MML	REVISED -
	CHECKED - MCB	REVISED -

STATE OF ILLINOIS
DEPARTMENT OF TRANSPORTATION

WEST ABUTMENT
STRUCTURE NO. 059-0515

SHEET NO. 18 OF 22 SHEETS

F.A.P. RTE.	SECTION	COUNTY	TOTAL SHEETS	SHEET NO.
325	116BR-1	MACOUPIN	67	54
CONTRACT NO. 72A19				
ILLINOIS FED. AID PROJECT				