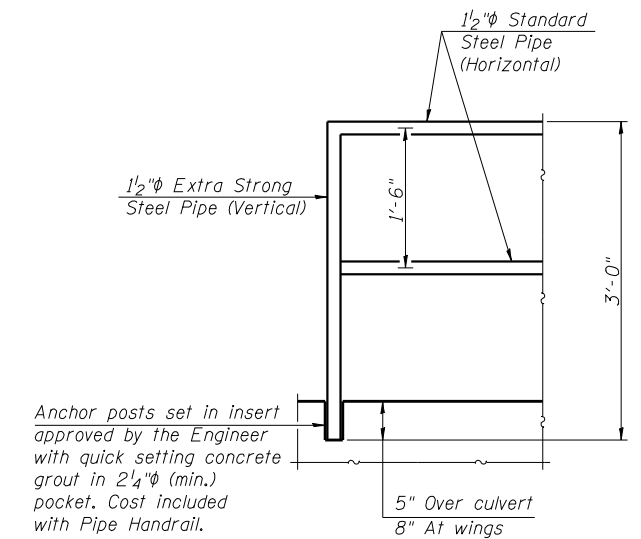


**END ELEVATION**



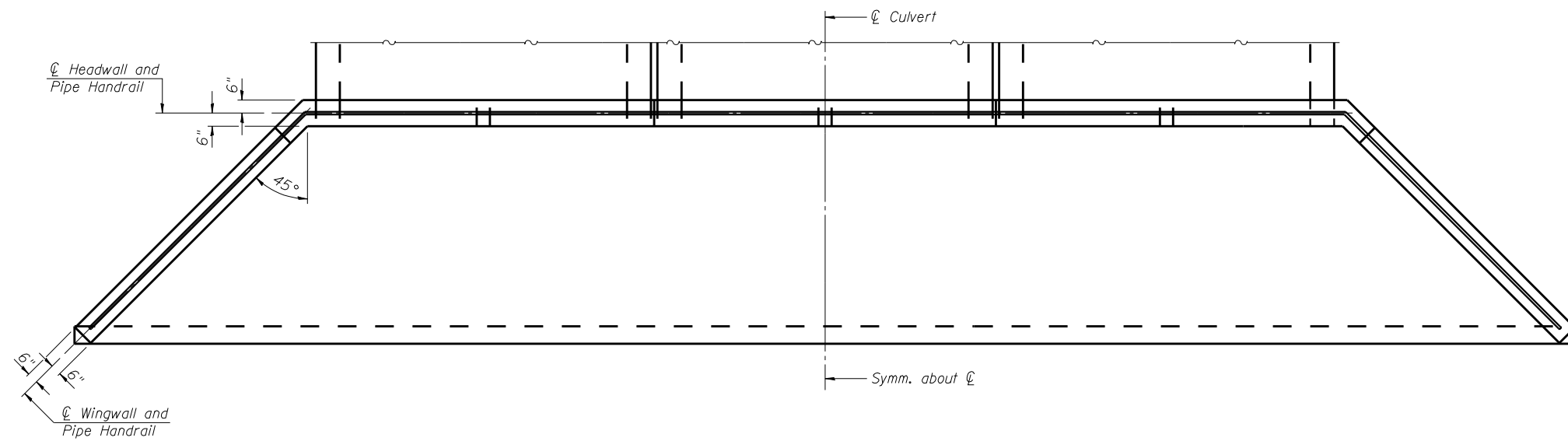
**RAILING DETAIL**

**NOTES:**

Handrail shall conform to the requirements of Section 509 of the Standard Specifications.  
 The Pipe Handrail shall be painted in accordance with Section 506 of the Standard Specifications.  
 The finish coat shall match Munsell Glossy Color 5B 7/1 Gray.  
 All steel pipe shall be ASTM A53.  
 The unit cost per lineal foot for Pipe Handrail shall include furnishing and installing the posts, sleeves, fittings, grout, pipe, primer and paint.

**BILL OF MATERIAL**

ITEM	UNIT	TOTAL
Pipe Handrail	Foot	70



**PLAN**