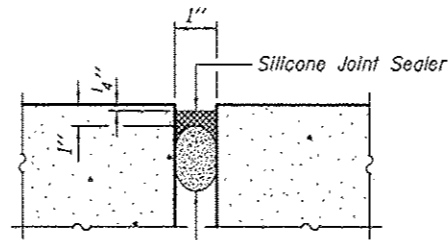


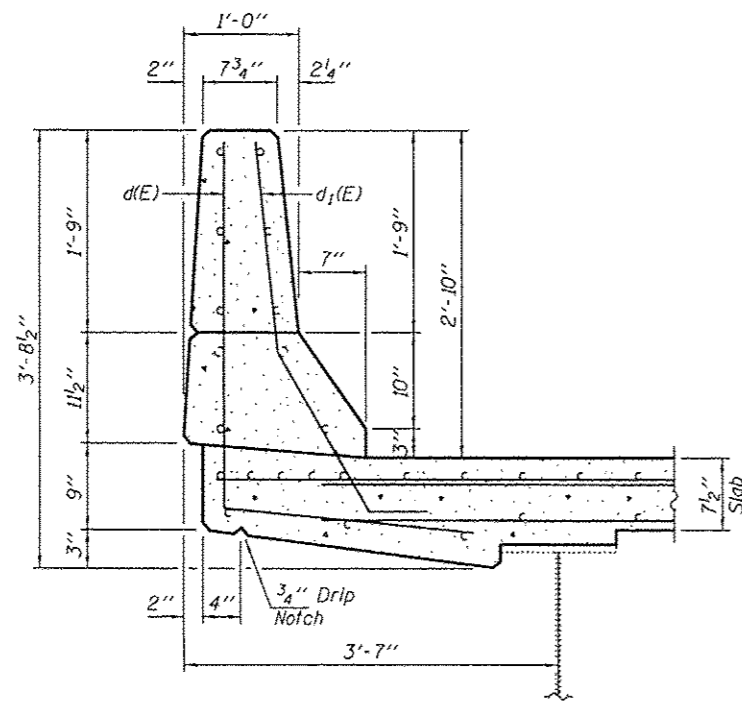
**TYPICAL SECTION AT APPROACH PARAPET**

Remove portion of wingwall as required at corners to allow clearance for new deck overhang. Cut reinf. flush and seal surface with epoxy. Cost included with Concrete Removal.

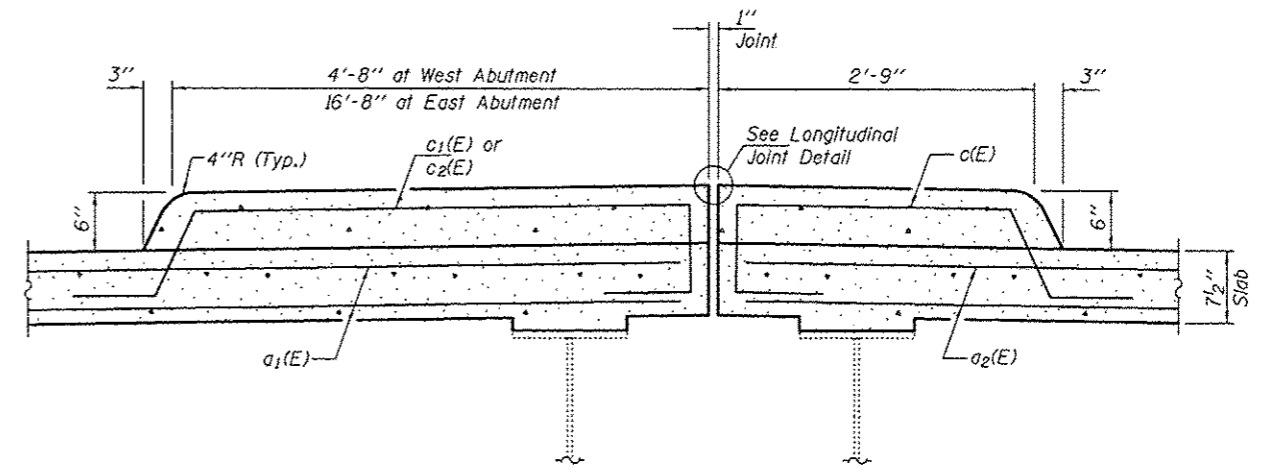


Backer Rod having a diameter 25% greater than the joint opening at the time of installation.

**LONGITUDINAL JOINT DETAIL**

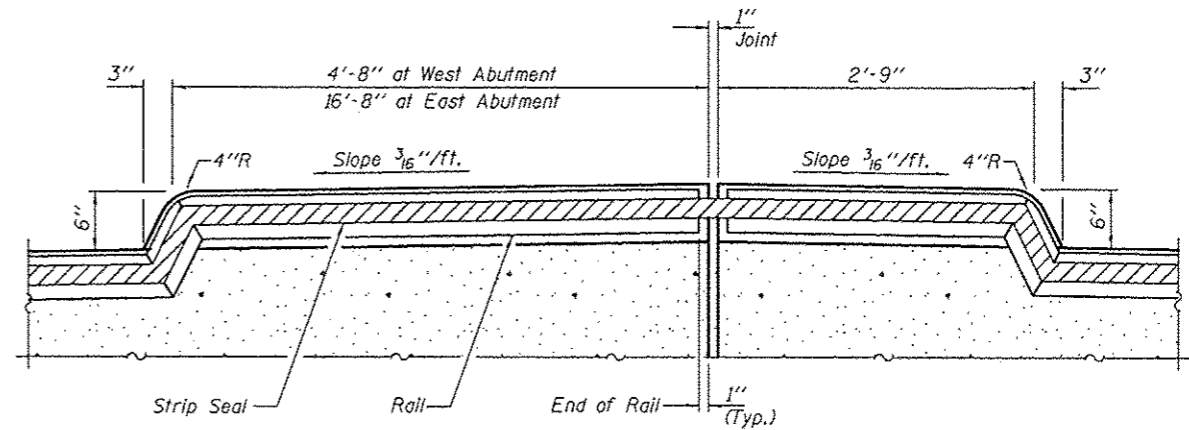


**SECTION THRU PARAPET**



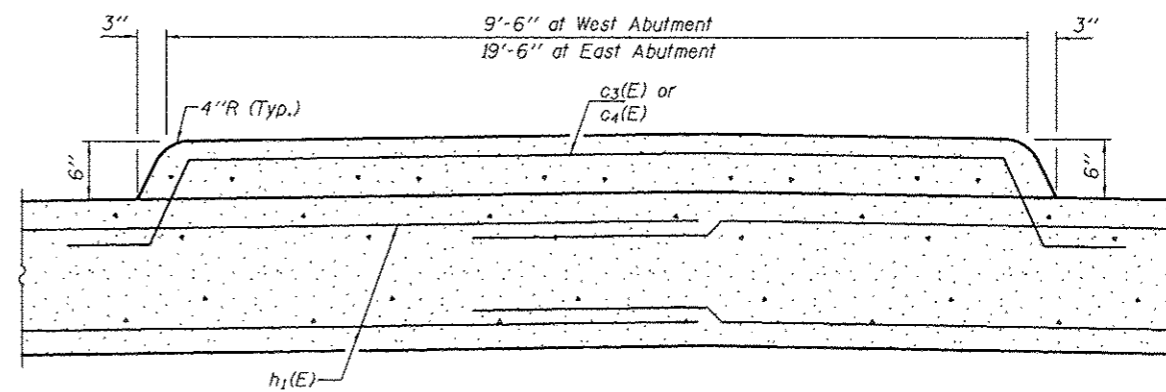
**SECTION THRU BRIDGE MEDIAN**

(Looking East)  
Showing reinforcement



**SECTION THRU BRIDGE MEDIAN**

(Looking East)  
Showing Strip Seal Details



**SECTION THRU APPROACH MEDIAN**

DESIGNED GGE	EXAMINED <i>Timothy A. Anich</i>	DATE NOVEMBER 13, 2012
CHECKED ARS	ACTING ENGINEER OF STRUCTURAL SERVICES	
DRAWN Kyle M. Steffen	PASSED <i>Kyle M. Steffen</i>	REVISED
CHECKED GGE ARS	ACTING ENGINEER OF BRIDGES AND STRUCTURES	REVISED

STATE OF ILLINOIS  
DEPARTMENT OF TRANSPORTATION

REPAIR DETAILS  
SN 084-0180

SHEET NO. 3 OF 7 SHEETS

F.A. RTE.	SECTION	COUNTY	TOTAL SHEETS	SHEET NO.
67	1(RS), 2(RS), 3(RS)-61	SANGAMON	116	91
CONTRACT NO. 72F23				
ILLINOIS FED. AID PROJECT				