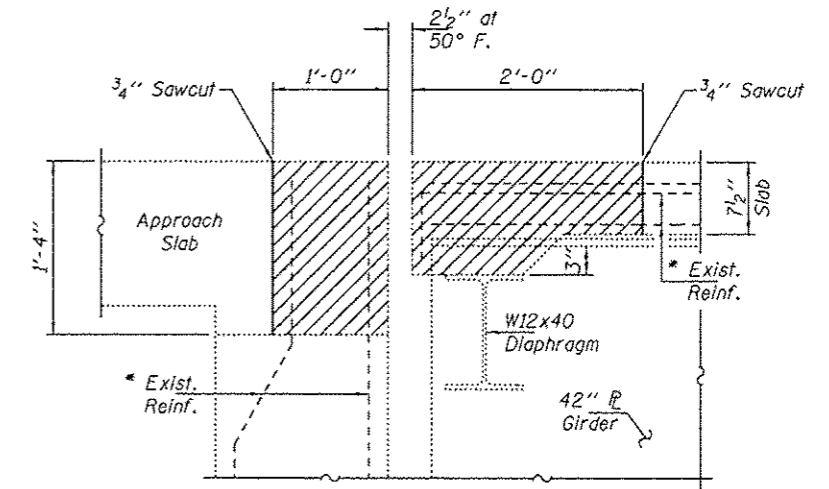


CONCRETE REMOVAL - SN: 084-0182 (NB)



SECTION A-A

* Existing reinforcement bars extending into the removal area shall be cleaned, straightened and incorporated into the new construction. Any reinforcement bars that are damaged during concrete removal shall be replaced with an approved bar splicer or anchorage system. Cost included with Concrete Removal.

Note:
Hatched areas indicate concrete removal.

DESIGNED - VP	EXAMINED
CHECKED - ATH	PASSED
DRAWN - Kyle M. Stoffen	
CHECKED - VP ATH	

 ACTING ENGINEER OF STRUCTURAL SERVICES	DATE - NOVEMBER 13, 2012
 ACTING ENGINEER OF BRIDGES AND STRUCTURES	

STATE OF ILLINOIS
DEPARTMENT OF TRANSPORTATION

CONCRETE REMOVAL DETAILS
SN 084-0182 (NB)

F.A. RTE.	SECTION	COUNTY	TOTAL SHEETS	SHEET NO.
662	1R1S1,2R1S1,5R1S-61	SANGAMON	116	99
CONTRACT NO. 72F23			ILLINOIS FED. AID PROJECT	

SHEET NO. 4 OF 8 SHEETS