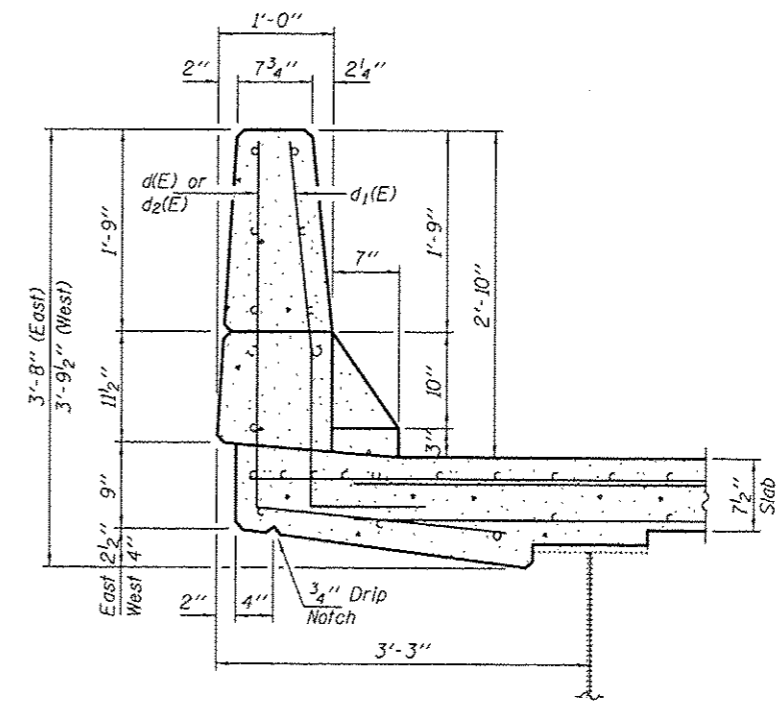
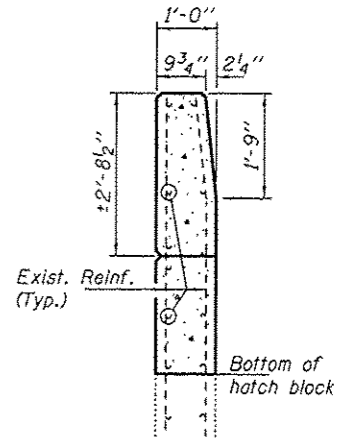


CONCRETE REPLACEMENT - SN: 084-0182 (NB)

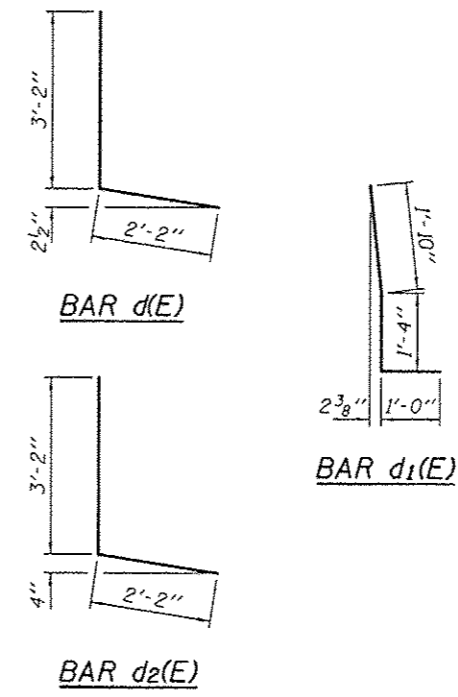


SECTION THRU PARAPET



TYPICAL SECTION AT APPROACH PARAPET

Notes:  
For Section B-B, see sheet 5 of 8.



Remove portion of wingwall as required at corners to allow clearance for new deck overhang. Cut reinf. flush and seal surface with epoxy. Cost included with Concrete Removal.

**BILL OF MATERIAL**  
SN: 084-0182 (N.B.)

| Bar                              | No. | Size | Length  | Shape |
|----------------------------------|-----|------|---------|-------|
| d(E)                             | 16  | #5   | 19'-0"  | —     |
| a <sub>1</sub> (E)               | 16  | #5   | 23'-0"  | —     |
| a <sub>2</sub> (E)               | 16  | #6   | 4'-7"   | —     |
| d(E)                             | 6   | #5   | 5'-4"   | L     |
| d <sub>1</sub> (E)               | 8   | #5   | 4'-2"   | L     |
| d <sub>2</sub> (E)               | 6   | #5   | 5'-4"   | L     |
| h(E)                             | 8   | #6   | 19'-3"  | —     |
| h <sub>1</sub> (E)               | 8   | #6   | 23'-3"  | —     |
| Concrete Removal                 |     |      | Cu. Yd. | 10.7  |
| Concrete Superstructure          |     |      | Cu. Yd. | 10.7  |
| Reinforcement Bars, Epoxy Coated |     |      | Pound   | 1420  |