

1-18-2013 LETTING ITEM 043

STATE OF ILLINOIS  
DEPARTMENT OF TRANSPORTATION  
DIVISION OF HIGHWAYS

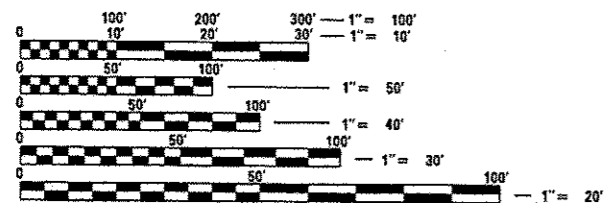
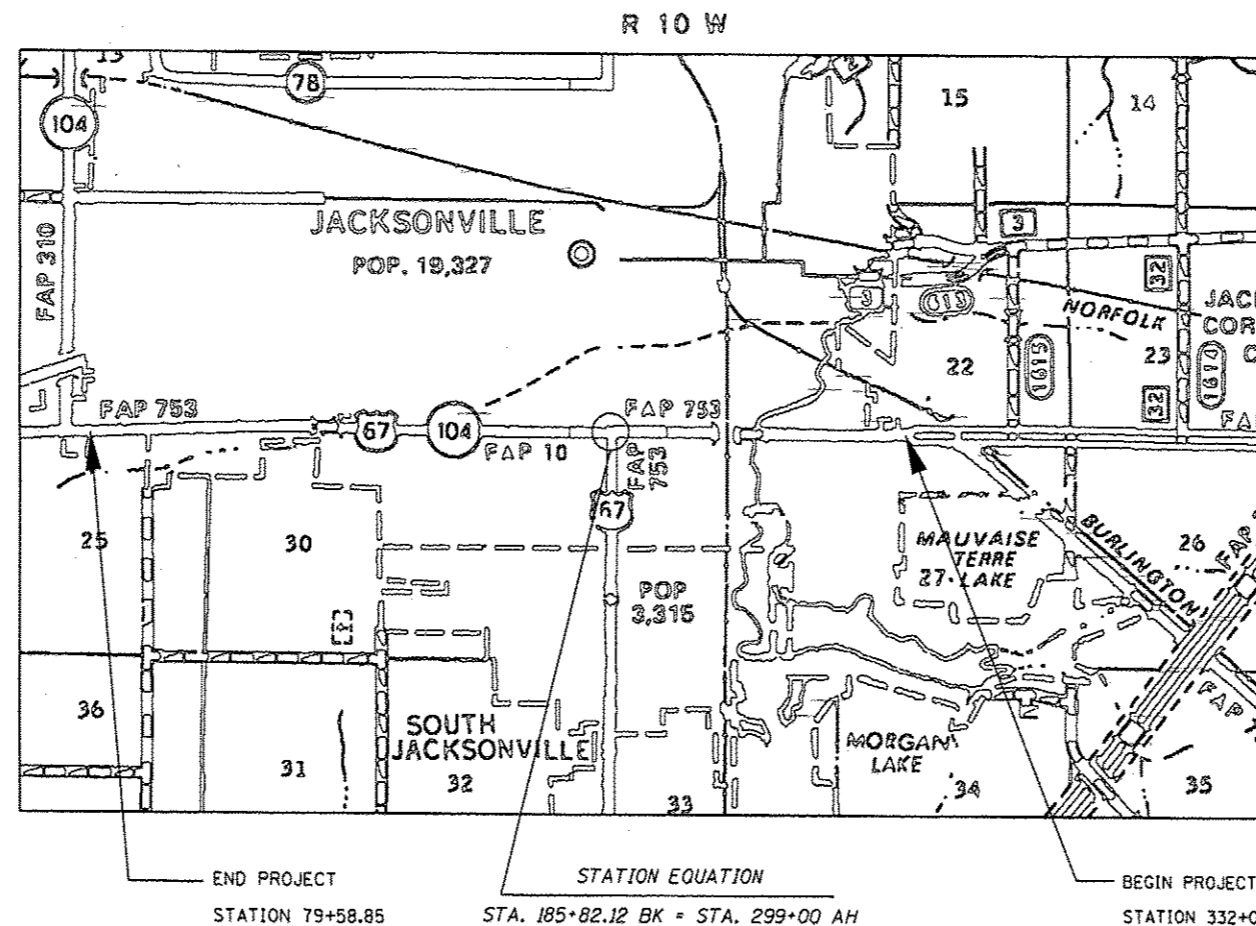
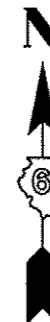
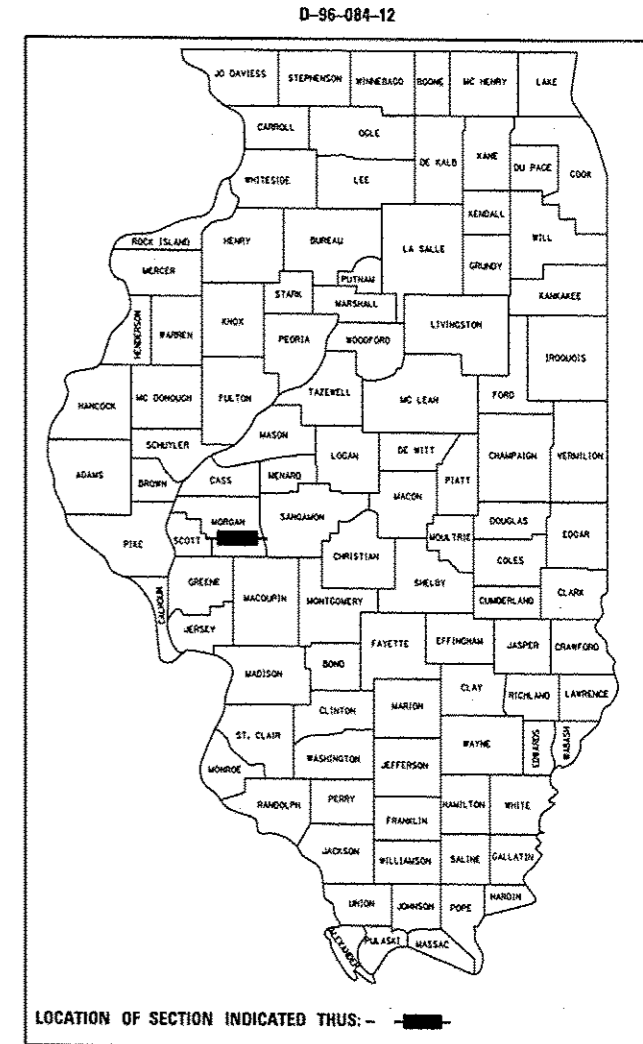
**PROPOSED  
HIGHWAY PLANS**

FAI 72 (IL 72 BL, IL 104)  
SECTION (23,33,A)I-1  
PAVEMENT PATCHING  
TYPE of IMPROVEMENT  
MORGAN COUNTY

C-96-084-12

FOR INDEX OF SHEETS, SEE SHEET NO. 2

F.A.P. RTE.	SECTION	COUNTY	TOTAL SHEETS	SHEET NO.
753	(23,33,A)I-1	MORGAN	9	1
				ILLINOIS 72F66



FULL SIZE PLANS HAVE BEEN PREPARED USING STANDARD ENGINEERING SCALES. REDUCED SIZED PLANS WILL NOT CONFORM TO STANDARD SCALES. IN MAKING MEASUREMENTS ON REDUCED PLANS, THE ABOVE SCALES MAY BE USED.

J.U.L.I.E.  
JOINT UTILITY LOCATION INFORMATION FOR EXCAVATION  
1-800-892-0123  
OR 811

PLAN AND CONTRACT TECHNICIAN  
TIMOTHY SHARP (217) 782-7743  
DAVE SHAH  
CONTRACT NO. 72F66

GROSS LENGTH = 13,921.80 FT. = 2.6367 MILE

AVERAGE DAILY TRAFFIC (ADT) - 22,000(1,050)

STATE OF ILLINOIS  
DEPARTMENT OF TRANSPORTATION  
DIVISION OF HIGHWAYS

SUBMITTED October 29, 2012  
Raymond J. Drouillard  
DEPUTY DIRECTOR OF HIGHWAYS, REGION ENGINEER

Dec 7, 2012  
John D. Baranzoni, P.E.  
ENGINEER OF DESIGN AND ENVIRONMENT

Dec 7, 2012  
William R. Freese, Jr.  
DIRECTOR OF HIGHWAYS, CHIEF ENGINEER

PRINTED BY THE AUTHORITY  
OF THE STATE OF ILLINOIS

INDEX

- 1 COVER
- 2 INDEX/STANDARDS/SIGNATURES
- 3 QUANTITIES
- 4 PLAN
- 5-9 TYPICALS

STANDARDS

- 701101-03
- 701106-02
- 701601-08
- 701602-06
- 701701-08
- 701901-03

<b>STATE OF ILLINOIS DEPARTMENT OF TRANSPORTATION DIVISION OF HIGHWAYS DISTRICT 6</b>	
EXAMINED <u>Oct 19</u> 20 <u>12</u>	<u>Bill Bonner</u> ENGINEER OF OPERATIONS
EXAMINED <u>Oct 18</u> 20 <u>12</u>	<u>Jimmy F. O.</u> ENGINEER OF PROJECT IMPLEMENTATION
EXAMINED <u>Oct. 22</u> 20 <u>12</u>	<u>ARMU</u> ENGINEER OF PROGRAM DEVELOPMENT

FILE NAME *	USER NAME * shahdm	DESIGNED - ___	REVISED - ___	<b>STATE OF ILLINOIS DEPARTMENT OF TRANSPORTATION</b>	<b>INDEX /STANDARDS /SIGNATURES</b>	F.A.I. RTE.	SECTION	COUNTY	TOTAL SHEETS	SHEET NO.	
o:\pw_work\paxdot\shahdm\d8317438\06xxx	shh-gennote.dgn	DRAWN - ___	REVISED - ___			72	(23.33,A)-1	MORGAN	9	2	
Default	PLOT SCALE * N/A	CHECKED - ___	REVISED - ___			CONTRACT NO. 72F66					
	PLOT DATE * Oct-16-2012 08:23:45AM	DATE - ___	REVISED - ___			ILLINOIS FED. AID PROJECT					

**SUMMARY OF QUANTITIES**

CODE NO.	ITEM	UNIT	TOTAL QUANTITY	CONSTR. CODE	
				100% STATE	
				ROADWAY	
				0005	URBAN
67100100	MOBILIZATION	L SUM	1	1	
70102630	TRAFFIC CONTROL AND PROTECTION, STANDARD 701601	L SUM	1	1	
70102632	TRAFFIC CONTROL AND PROTECTION, STANDARD 701602	L SUM	1	1	
70102635	TRAFFIC CONTROL AND PROTECTION, STANDARD 701701	L SUM	1	1	
44201437	CLASS C PATCHES, TYPE II, 17 INCH	SQ YD	81.4	81.4	
44201439	CLASS C PATCHES, TYPE III, 17 INCH	SQ YD	64	64	
44201445	CLASS C PATCHES, TYPE II, 18 INCH	SQ YD	26.8	26.8	
44201449	CLASS C PATCHES, TYPE IV, 18 INCH	SQ YD	53.3	53.3	
44201461	CLASS C PATCHES, TYPE II, 20 INCH	SQ YD	208.8	208.8	
44201465	CLASS C PATCHES, TYPE IV, 20 INCH	SQ YD	33.3	33.3	





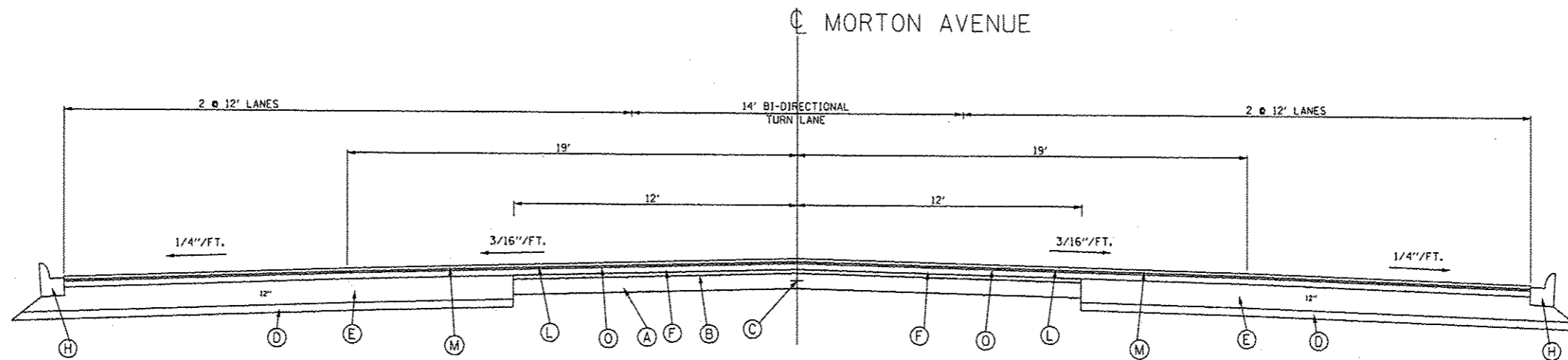
END PROJECT  
STA. 79+58.85

ST. EQ. 185+82.12bk  
=299+00.00ah

BEGIN PROJECT  
STA. 332+04.00

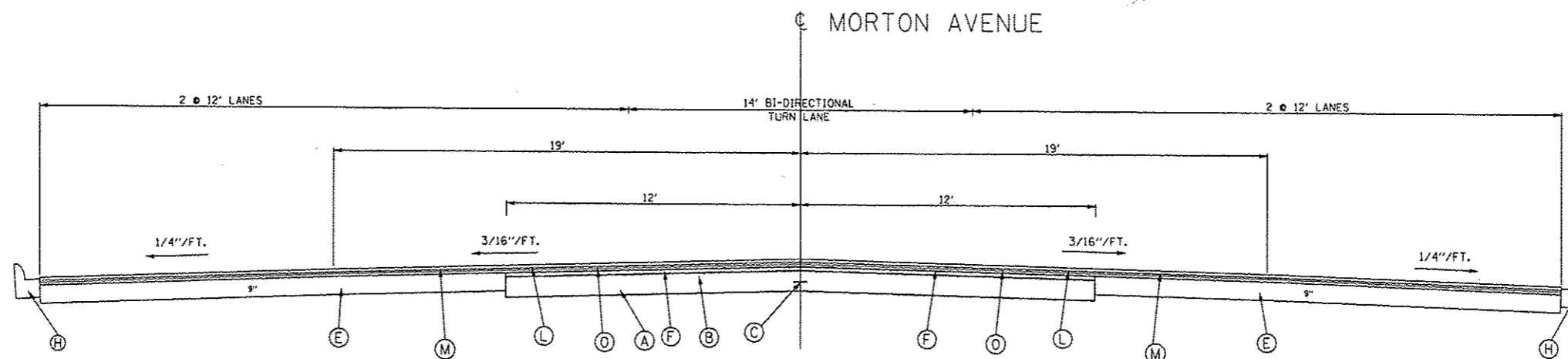
FILE NAME *	USER NAME * ahehdm	DESIGNED -	REVISED -	<b>STATE OF ILLINOIS DEPARTMENT OF TRANSPORTATION</b>	<b>PLAN SHEET</b>				F.A.I. RTE.	SECTION	COUNTY	TOTAL SHEETS	SHEET NO.
Default	Default	DRAWN -	REVISED -		SCALE:	SHEET	OF	SHEETS	STA.	TO STA.	MORGAN	9	4
		CHECKED -	REVISED -										
		DATE -	REVISED -										

ILLINOIS FED. AID PROJECT  
CONTRACT NO. 72F66



STA. 79+58.85 TO 83+87  
 STA. 95+75 TO 128+20

OMIT STA. 119+84.50 TO 119+52.13



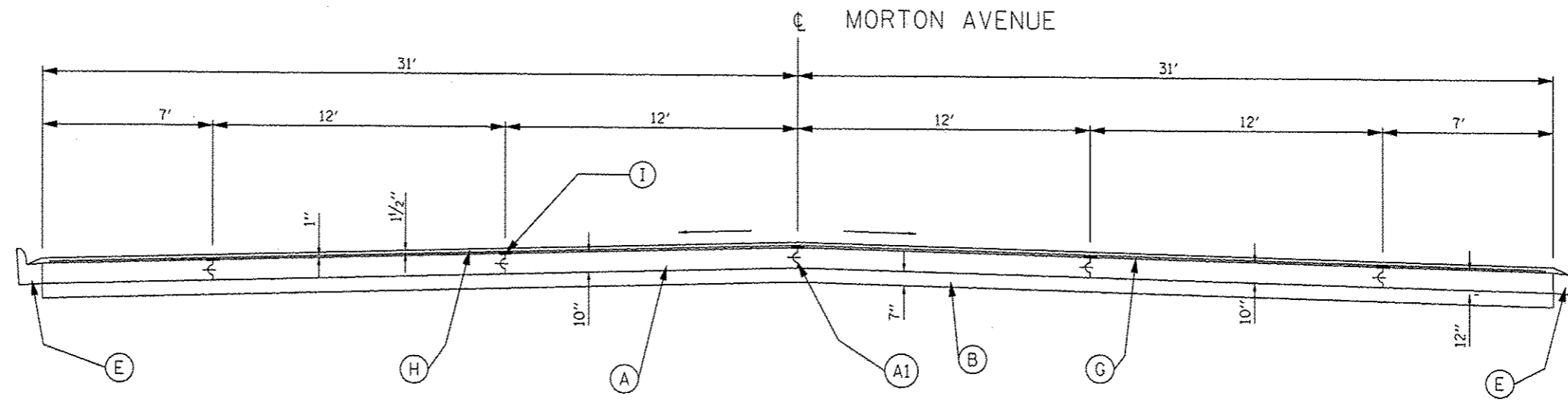
STA. 83+87 TO 95+75

**LEGEND**

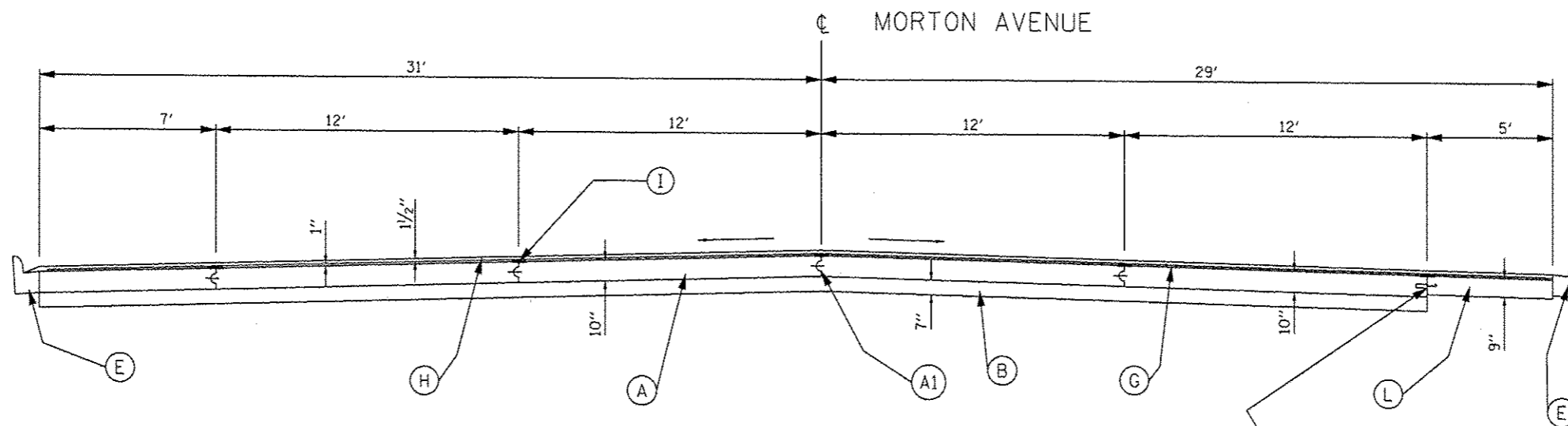
- A. EXIST. PCC PAVEMENT, 10"ASDF
- B. EXIST. PAVEMENT FABRIC
- C. EXIST. LONG. JOINT
- D. EXIST. SUB-BASE GRAN. MAT'L, TY, A, 4"
- E. EXIST. BIT. BASE. CSE.
- F. EXIST. BIT. CONC. BINDER & SURFACE
- G. EXIST. PCC BASE CSE. WIDENING, 10" MONOLITHIC W/C & G
- H. EXIST. TY. B-6.24 CURB AND GUTTER
- I. EXIST. PCC SIDEWALK
- J. EXIST. BIT. SURF. REM. (CM), VAR. DEPTH
- L. EXIST. LEV. BINDER (MM) MIX C, TY. 2, 1"
- M. EXIST. BIT. CONC. SURF. SE, MIX E, CL I, TY. 2, 1 1/2"
- O. EXIST. STRIP REFLECTIVE CRACK CONTROL TREATMENT

FILE NAME *	USER NAME * ahehdm	DESIGNED -	REVISED -	<b>STATE OF ILLINOIS DEPARTMENT OF TRANSPORTATION</b>	<b>TYPICAL SECTIONS MORTON AVENUE</b>	F.A.I RTE.	SECTION	COUNTY	TOTAL SHEETS	SHEET NO.
cr\pwwork\pwwidat\ahedm\08317438\06xxx	ahst-typical.dgn	DRAWN -	REVISED -			72	(23,33,A1)-1	MORGAN	9	5
Default	PLOT SCALE * 0.8226 1/1 in.	CHECKED -	REVISED -			CONTRACT NO. 72F66				
	PLOT DATE * Oct-17-2012 03:55:53PM	DATE -	REVISED -			ILLINOIS FED. AID PROJECT				





STA. 145+32 TO 159+11



STA. 159+11 TO 181+50

EXPANSION TIE ANCHORS 3/4" AT 2'6" CENTERS

**LEGEND**

- A. EXIST. PCC PAVEMENT
- A1. EXIST. LONG. JOINT
- B. EXIST. SUB. GRAN. MAT.
- C. EXIST. BIT. CONC. WIDENING
- D. EXIST. PCC WIDENING
- E. EXIST TY. B-6.24 CURB & GUTTER
- F. EXIST. BIT. BINDER & SURFACE
- G. EXIST. LEV. BIO (MM) MIX C, TY. 2
- H. EXIST. BIT CON SURF. CRSE, MIX. E, CL I, TY.2
- I. EXIST. STRIP REF CR CON TREAT (AT ALL LONG. PAV'T JOINTS)
- L. EXIST. PCC BASE CSE WID, 9"

FILE NAME *	USER NAME * shahdm	DESIGNED -	REVISED -
c:\pvc\work\pavedoc\shahdm\2012\7438\06xxx	*shh-typical.dgn	DRAWN -	REVISED -
	PLOT SCALE = 6.0000' / 1"	CHECKED -	REVISED -
Default	PLOT DATE * Oct-30-2012 09:22:11AM	DATE -	REVISED -

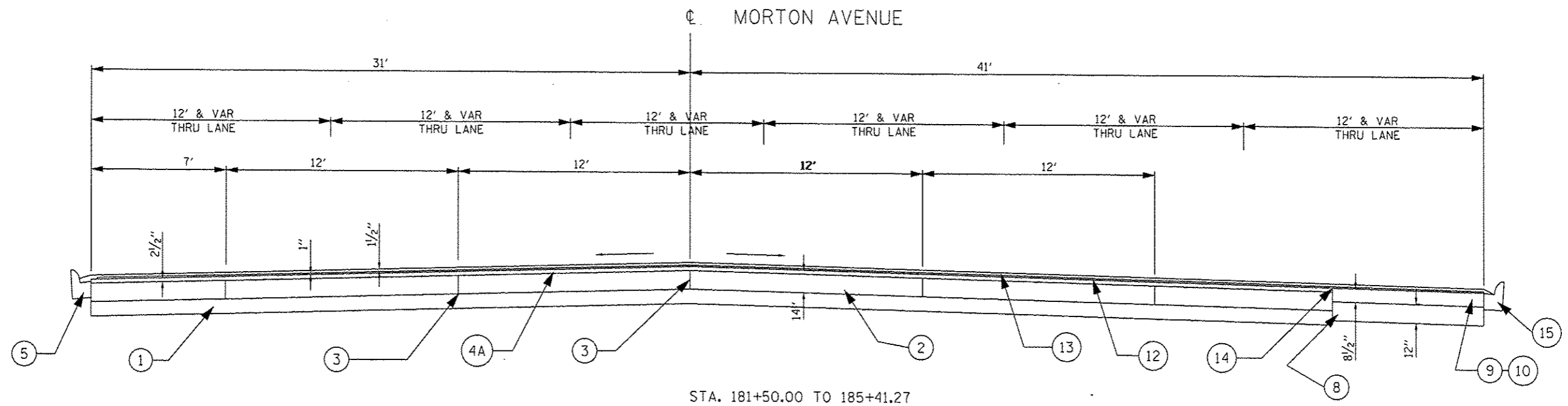
**STATE OF ILLINOIS  
DEPARTMENT OF TRANSPORTATION**

**TYPICAL SECTIONS  
MORTON AVENUE**

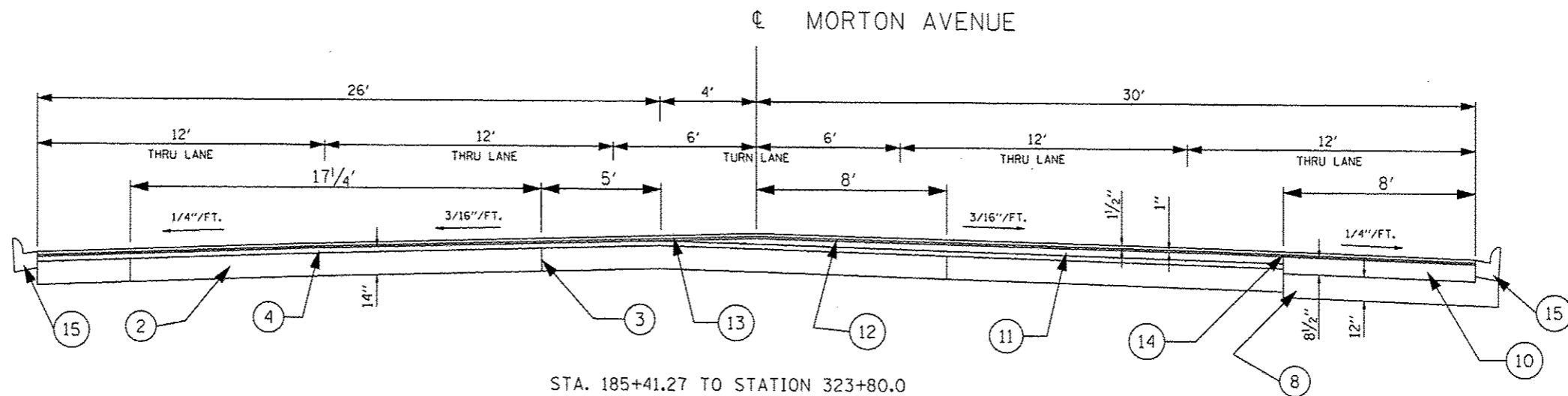
SCALE: SHEET 3 OF 4 SHEETS STA. 145+32 TO STA. 181+50

F.A.I. RTE.	SECTION	COUNTY	TOTAL SHEETS	SHEET NO.
72	(23,33,A1)-1	MORGAN	9	7
CONTRACT NO. 72F66			ILLINOIS FED. AID PROJECT	





STA. 181+50.00 TO 185+41.27



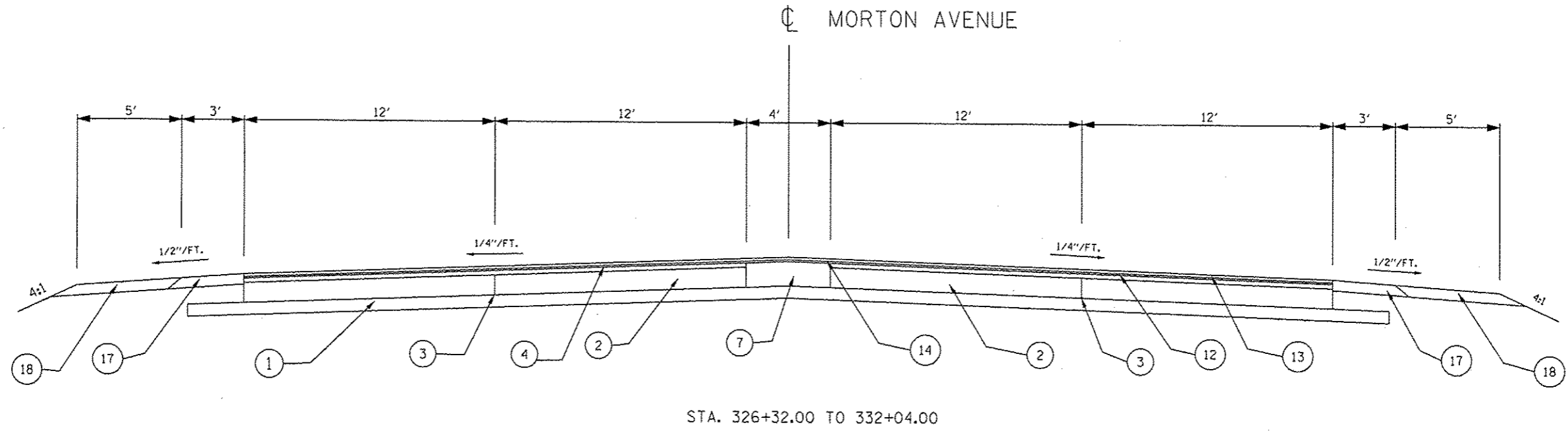
STA. 185+41.27 TO STATION 323+80.0

STATION EQUATION: STA. 185+82.12 BK = STATION 299+00.00 AH

NOTE: FOR LEGEND, SEE SHEET NO. 9

FILE NAME * c:\pwwork\pwwork\shahdm\d0317438\06xxx	USER NAME * shahdm -shh-typical.dgn	DESIGNED - DRAWN -	REVISED - REVISED -	STATE OF ILLINOIS DEPARTMENT OF TRANSPORTATION	TYPICAL SECTIONS MORTON AVENUE	F.A.I. RTE.	SECTION	COUNTY	TOTAL SHEETS	SHEET NO.
PLOT SCALE * 6.0000' / in.	CHECKED -	REVISED -	72			(23.33, AH)-1	MORGAN	9	8	
PLOT DATE * Oct-30-2012 09:22:55AM	DATE -	REVISED -	CONTRACT NO. 72F66			ILLINOIS FED. AID PROJECT				
Default					SCALE: _____	SHEET 3 OF 4 SHEETS		STA. 145+32 TO STA. 181+50		





**LEGEND**

- 1. EXISTING GRANULAR SUBGRADE
- 2. EXISTING P.C.C. PAVEMENT
- 3. EXISTING LONGITUDINAL JOINT
- 4. EXISTING BITUMINOUS SURFACE
- 5. EXISTING CURB AND GUTTER
- 7. EXISTING CONCRETE MEDIAN
- 8. EXISTING SUB-BASE GRANULAR MATERIAL, TYPE A 12"
- 9. EXISTING P.C.C. BASE COURSE WIDENING, 8 1/2"
- 10. EXISTING P.C.C. BASE COURSE, 8 1/2"
- 11. LEVELING BINDER (MACHINE METHOD) MIXTURE C, TYPE 2, VARIABLE THICKNESS
- 12. EXISTING BITUMINOUS CONCRETE BINDER COURSE, TYPE 2, 1"-112 lb./s.y.
- 13. EXISTING BITUMINOUS CONCRETE SURFACE COURSE, MIXTURE E, CLASS I, TYPE 2, 1 1/2" - 168 lb./s.y.
- 14. EXISTING STRIP REFLECTIVE CRACK CONTROL TREATMENT.
- 15. EXISTING COMBATION CONCRETE CURB & GUTTER, TYPE B-6.24
- 17. EXISTING BITUMINOUS SHOULDERS, 6"
- 18. EXISTING AGGREGATE SHOULDERS, TYPE A 6"

**STATE OF ILLINOIS  
DEPARTMENT OF TRANSPORTATION**

**TYPICAL SECTIONS  
MORTON AVENUE 5**

FILE NAME *	USER NAME * shahdm	DESIGNED -	REVISED -	<b>STATE OF ILLINOIS DEPARTMENT OF TRANSPORTATION</b>	<b>TYPICAL SECTIONS MORTON AVENUE 5</b>			F.A.I. RTE.	SECTION	COUNTY	TOTAL SHEETS	SHEET NO.
or\pwwork\pwwork\shahdm\2317438\06xxx\shahdm\typical.dgn	PLOT SCALE * 8.0226' / in.	DRAWN -	REVISED -					72	(23.33,A)-1	MORGAN	9	9
Default	PLOT DATE * Oct-17-2012 03:56:56PM	CHECKED -	REVISED -		SCALE: _____ SHEET 3 OF 4 SHEETS STA. 145+32 TO STA. 181+50			CONTRACT NO. 72F66				
		DATE -	REVISED -		ILLINOIS FED. AID PROJECT							