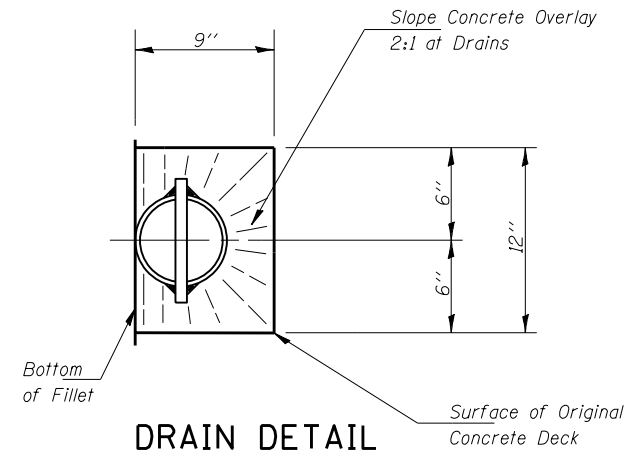
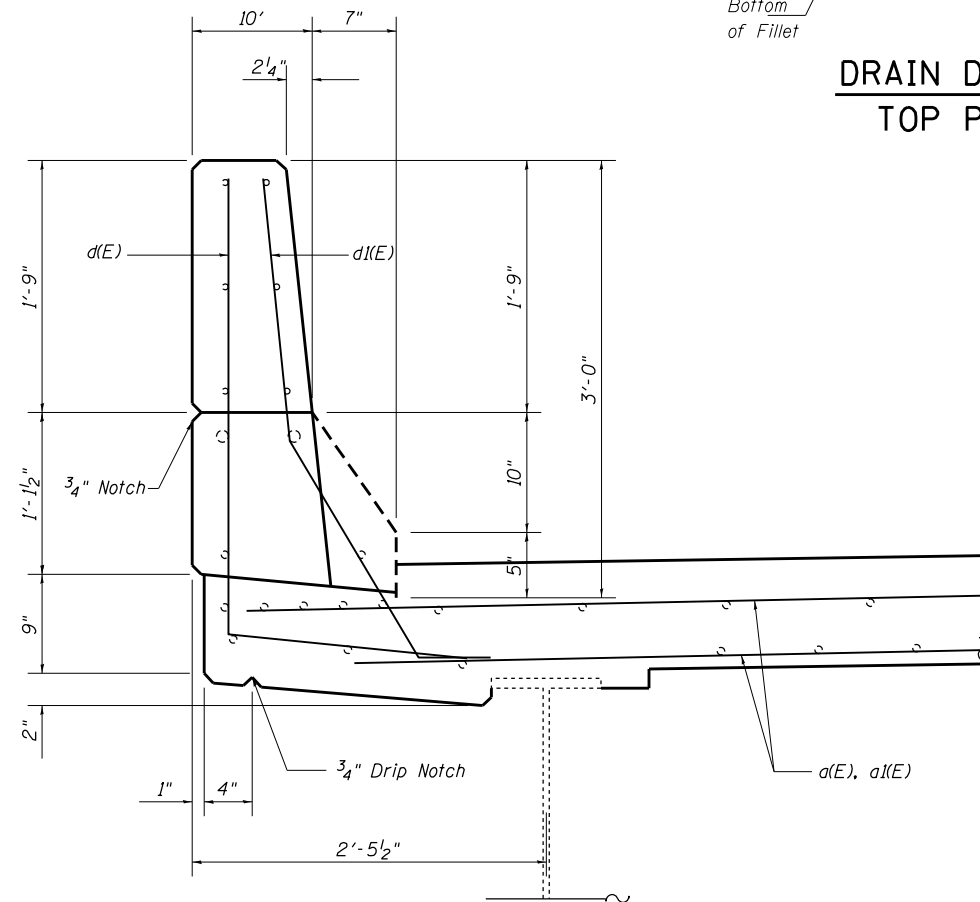


FLOOR DRAIN DETAIL

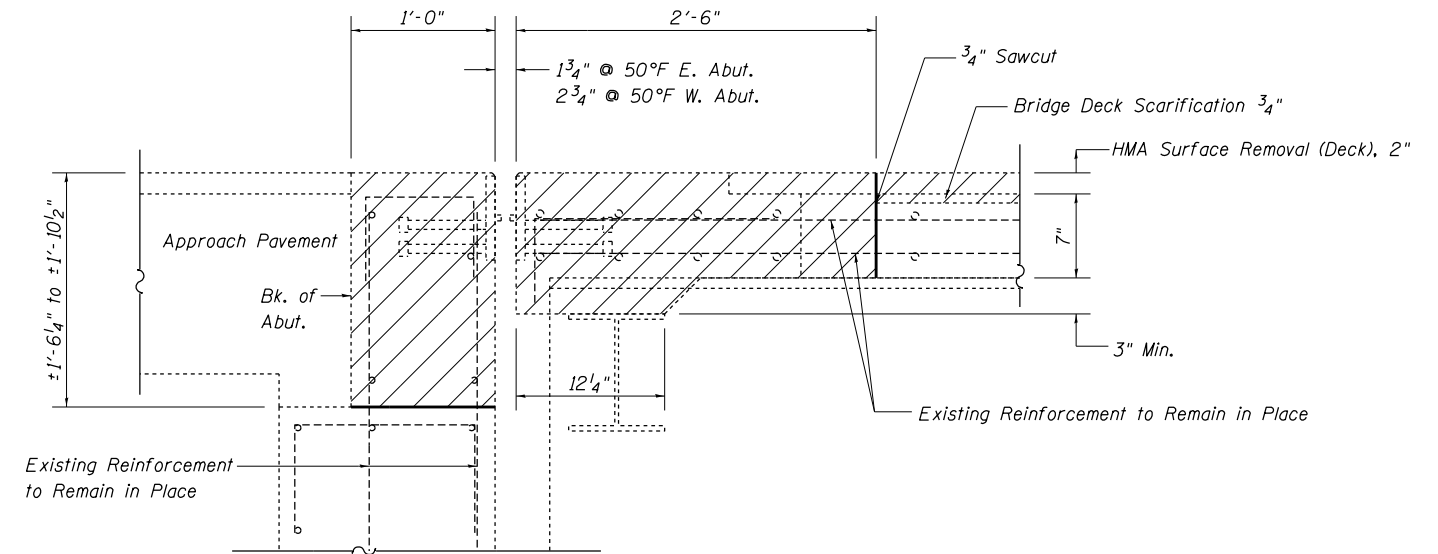


DRAIN DETAIL TOP PLAN



SECTION THRU PARAPET

Hatching indicates removal.

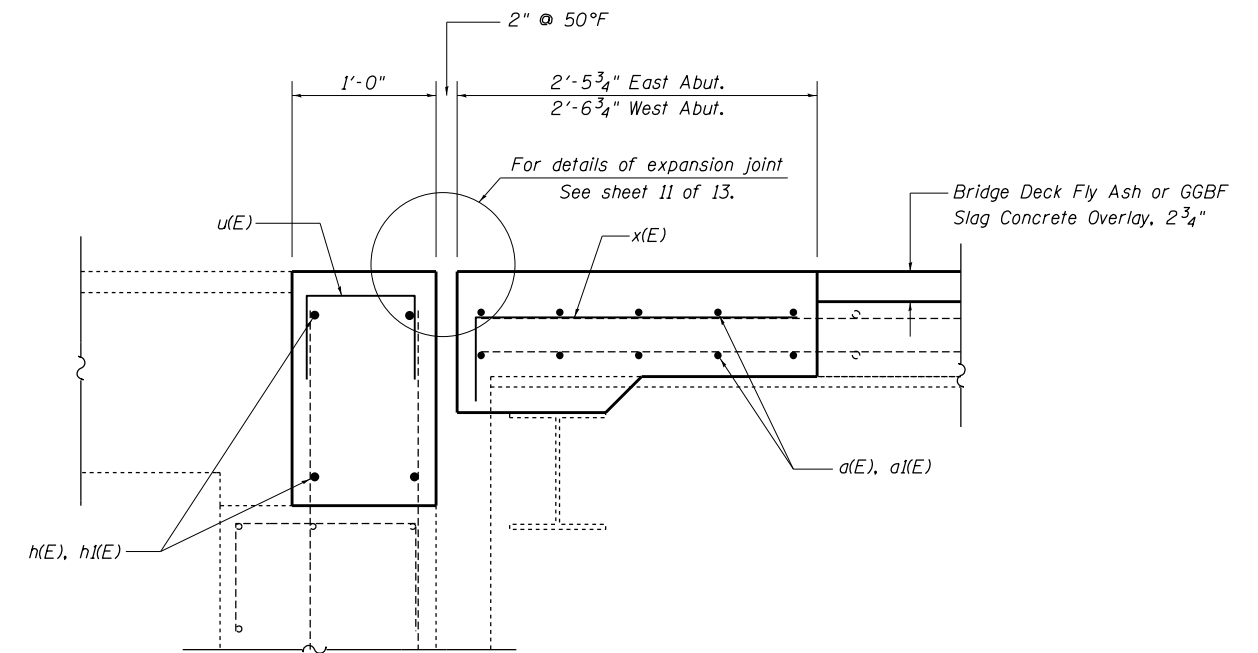


SECTION A-A

(Dimensions at Rt. L's to end of deck)

Note: Removal and disposal of the existing expansion joint is included in the cost of CONCRETE REMOVAL.

- Existing Reinforcement
- Proposed Reinforcement



SECTION B-B

(Dimensions at Rt. L's to end of deck)

FILE NAME =	USER NAME = steffenmk	DESIGNED - KLB	REVISED -
ei:\pw\work\p\id\stef\mk\d0307594\0744589-sht-br\details-025-001617.dgn		DRAWN - KLB	REVISED -
Default	PLOT SCALE = 40.0000' / in.	CHECKED - MEA	REVISED -
	PLOT DATE = 10/23/2012	DATE - 07/12/12	REVISED -

**STATE OF ILLINOIS
DEPARTMENT OF TRANSPORTATION**

**EXPANSION JOINT REPLACEMENT DETAILS
SN. 025-0016 (EB) & 025-0017 (WB)**

SCALE: N/A SHEET 5 OF 13 SHEETS STA. TO STA.

• D7 BRIDGE REPAIRS 2013-1

F.A.I. RTE.	SECTION	COUNTY	TOTAL SHEETS	SHEET NO.
70	•	EFFINGHAM	33	25
			CONTRACT NO.	74589
ILLINOIS FED. AID PROJECT				