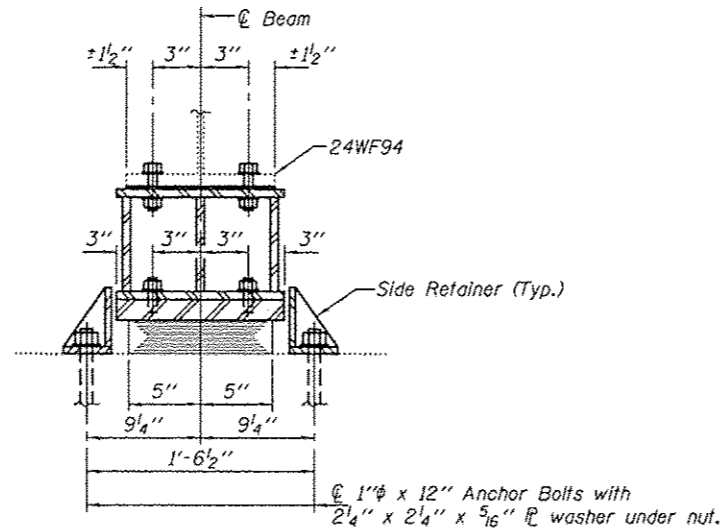


ELEVATION AT EAST ABUTMENT

TYPE I ELASTOMERIC EXP. BRG.

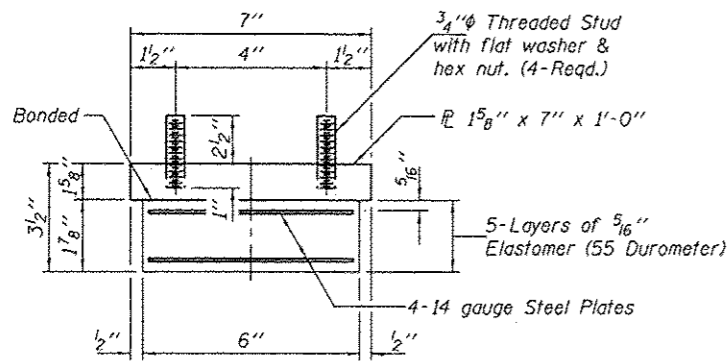


SECTION A-A

BEAM REACTIONS

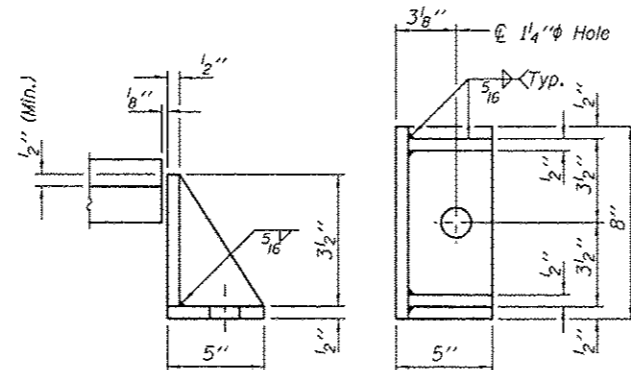
R _P	(K)	12.5
R _L	(K)	24.6
Imp.	(K)	7.4
R (Total)	(K)	44.5

Notes:
 Diaphragm removal and reinstallation may be required to facilitate drilling holes. Cost included with Furnishing and Erecting Structural Steel.
 New steel extensions, shim plates and connection bolts are included with Furnishing and Erecting Structural Steel.
 Prior to ordering any material, the Contractor shall verify in the field all bearing height and shim thickness dimensions. Min. jack capacity = 25 Tons.
 Anchor bolts shall be ASTM F1554 all-thread (or an Engineer-approved alternate material) of the grades and diameter(s) specified. ASTM A307 Grade C anchor bolts may be used in lieu of ASTM F1554 Grade 36 (F_y=36ksi). The corresponding specified grade of AASHTO M314 anchor bolts may be used in lieu of ASTM F1554.
 Drilled and set anchor bolts shall be installed according to Article 521.06 of the Standard Specifications.
 Side retainers shall be included in the cost of Elastomeric Bearing Assembly, Type I.



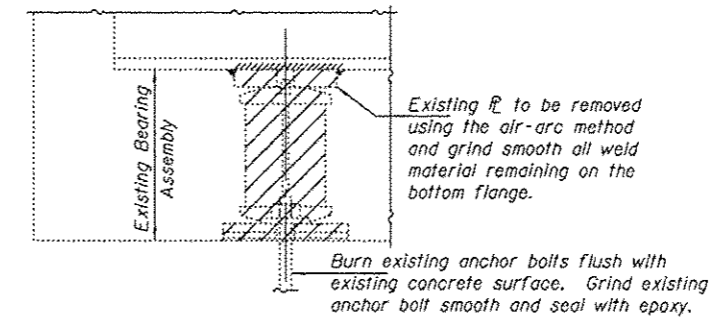
BEARING ASSEMBLY

Note:
 Shim plates shall not be placed under Bearing Assembly.



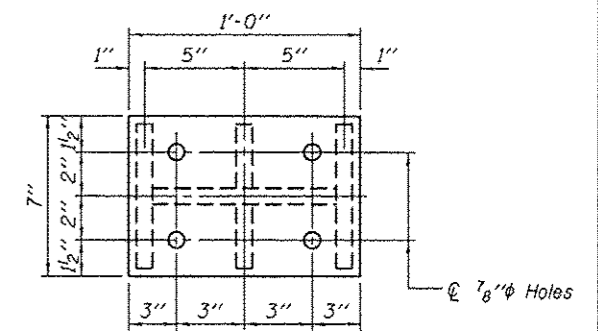
SIDE RETAINER

Equivalent rolled angle with stiffeners will be allowed in lieu of welded plates.

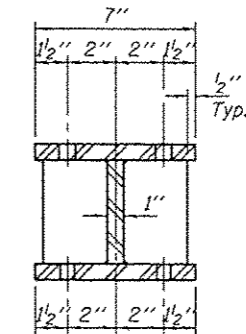


EXISTING BEARING REMOVAL DETAIL

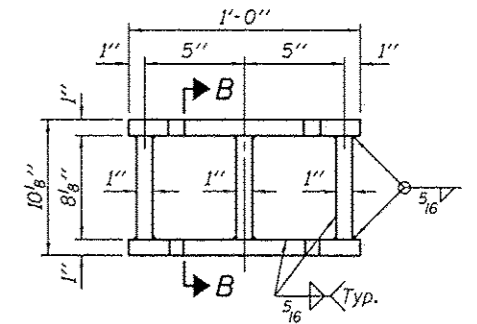
Cost Included with Jack and Remove Existing Bearings.



PLAN TOP AND BOTTOM PLATE



SECTION B-B



STEEL EXTENSION DETAIL

EXPIRES 11-30-2014

TYI/REPS 12-03-2008

DESIGNED -	EXAMINED -	DATE - NOVEMBER 16, 2012	STATE OF ILLINOIS DEPARTMENT OF TRANSPORTATION	BEARING REPLACEMENT DETAILS AT EAST ABUTMENT SN 025-0016 (E.B.) & 0017 (W.B.)	F.A.I. RTE.	SECTION	COUNTY	TOTAL SHEETS	SHEET NO.	
CHECKED -	ACTING ENGINEER OF STRUCTURAL SERVICES	REVISED			70	07 BRIDGE REPAIRS 2013-1	EFFINGHAM	33	29	
DRAWN - Kyle M. Steffen	PASSED	REVISED			CONTRACT NO. 74589					
CHECKED -	ACTING ENGINEER OF BRIDGES AND STRUCTURES	REVISED			SHEET NO. 9 OF 13 SHEETS					

BILL OF MATERIAL

Item	Unit	Total
Elastomeric Bearing Assembly, Type I	Each	18
Jack and Remove Existing Bearings	Each	18
Furnishing and Erecting Structural Steel	Pound	2020
Anchor Bolts 1"φ	Each	36