

SOUTH BOUND LANES

STA 1242+13 TO STA 1243+71
 STA 1245+47 TO STA 1246+52
 STA 1272+75 TO STA 1275+25
 STA 1278+50 TO STA 1280+00
 STA 1301+22 TO STA 1302+19
 STA 1306+50 TO STA 1308+08
 STA 1310+10 TO STA 1331+86
 STA 1353+58 TO STA 1355+11

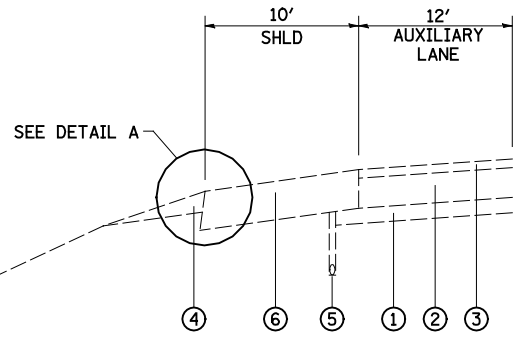
NORTH BOUND LANES

STA 1242+45 TO STA 1243+90
 STA 1245+66 TO STA 1246+31
 STA 1301+48 TO STA 1302+70
 STA 1307+16 TO STA 1328+97
 STA 1353+10 TO STA 1354+83

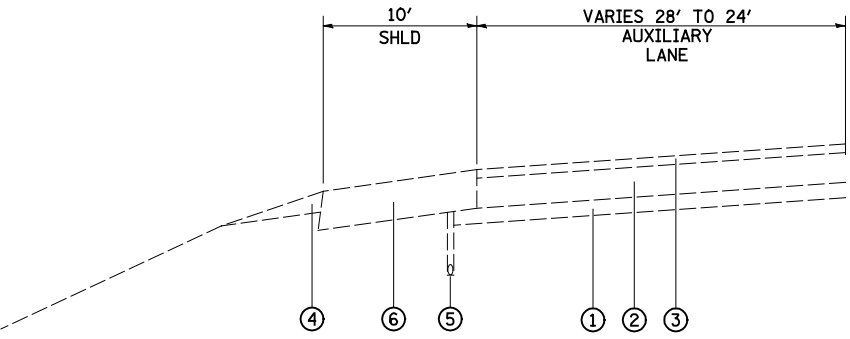
BRIDGE OMISSION STA 1243+71 TO STA 1245+47
 STA 1302+19 TO STA 1306+29
 STA 1355+11 TO STA 1360+43

BRIDGE OMISSION STA 1243+90 TO STA 1245+66
 STA 1302+70 TO STA 1307+16
 STA 1354+83 TO STA 1360+15

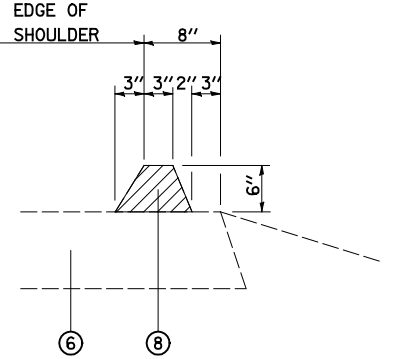
EXISTING TYPICAL TANGENT SECTION
 PREVIOUSLY RESURFACED 3 LANE SECTION



SOUTH BOUND AUXILIARY LANES
 STA 1245+38 TO STA 1246+52



SOUTH BOUND AUXILIARY LANES
 STA 1242+13 TO STA 1243+45



DETAIL A

STA 1245+45 TO STA 1255+06 SB LT
 STA 1245+95 TO STA 1249+09 NB RT
 STA 1257+30 TO STA 1265+24 NB RT
 STA 1307+94 TO STA 1311+02 NB RT
 STA 1352+05 TO STA 1355+13 SB LT
 STA 1352+95 TO STA 1354+35 NB RT
 STA 1360+09 TO STA 1362+88 NB RT
 STA 1360+87 TO STA 1361+79 SB LT

LEGEND

- ① EXISTING STABILIZED SUB-BASE 4"
- ② EXISTING CRPCC PAVEMENT 10"
- ③ EXISTING ASPHALT RESURFACING 2 1/4"
- ④ EXISTING AGGREGATE SHOULDERS TYPE B
- ⑤ EXISTING PIPE UNDERDRAINS 4"
- ⑥ EXISTING HOT-MIX ASPHALT SHOULDER 10"
- ⑦ EXISTING TEMPORARY CONCRETE BARRIER
- ⑧ EXISTING BITUMINOUS CURB
- ⑨ EXISTING ASPHALT RESURFACING, 3 3/4"
- ⑩ EXISTING PCC PAVEMENT 10" (REINFORCED)
- ⑪ EXISTING PCC PAVEMENT 8" (REINFORCED)
- ⑫ EXISTING HOT-MIX ASPHALT SHOULDER 8"
- ⑬ EXISTING APPROACH SLAB
- ⑭ EXISTING A-3 SURFACE TREATMENT
- ⑮ EXISTING AGGREGATE BASE COURSE, TYPE A 15"
- HOT-MIX ASPHALT SURFACE REMOVAL, 1"

NOTE: FOR LIMITS OF REMOVAL ITEMS
 SEE REMOVAL SHEETS

REMOVAL ITEMS

FILE NAME =	USER NAME = Paul	DESIGNED - ESW	REVISED -	STATE OF ILLINOIS DEPARTMENT OF TRANSPORTATION	EXISTING TYPICAL SECTIONS FAI ROUTE 255			F.A.I. RTE. 255	SECTION 60-(7,8)RS-2	COUNTY MADISON	TOTAL SHEETS 261	SHEET NO. 15
#FILEL#	PLOT SCALE = 100.0000' / IN.	DRAWN - PDB	REVISED -		SCALE:	SHEET NO. 1 OF 8 SHEETS	STA.	TO STA.	CONTRACT NO. 76A89			
	PLOT DATE = 7/31/2012	CHECKED - BRM	REVISED -		ILLINOIS FED. AID PROJECT							
		DATE - 8-29-11	REVISED -									