

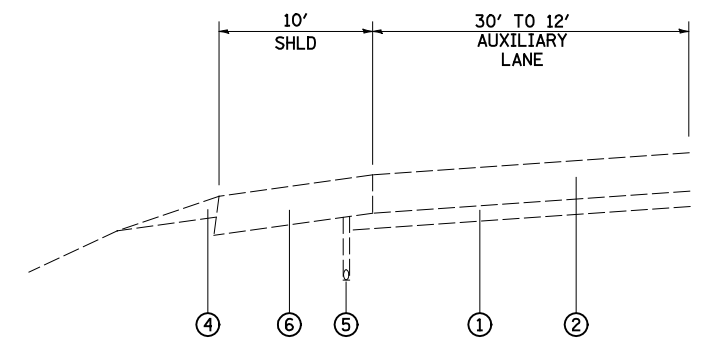
**SOUTH BOUND LANES**  
 STA 1282+25 TO STA 1291+11  
 STA 1294+36 TO STA 1298+70  
 STA 1306+29 TO STA 1306+50  
 STA 1308+08 TO STA 1310+10  
 STA 1331+86 TO STA 1353+58  
 STA 1361+81 TO STA 1380+52  
 STA 1383+77 TO STA 1390+80

**NORTH BOUND LANES**  
 STA 1287+55 TO STA 1291+30  
 STA 1294+55 TO STA 1295+91  
 STA 1328+97 TO STA 1353+10  
 STA 1371+40 TO STA 1376+42  
 STA 1387+05 TO STA 1390+80

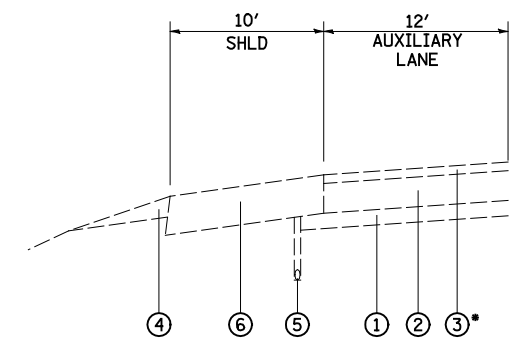
**EXISTING TYPICAL TANGENT SECTION**  
 EXISTING 3 LANE CONCRETE SECTION

BRIDGE OMISSION STA 1291+11 TO STA 1294+36

BRIDGE OMISSION STA 1291+30 TO STA 1294+55

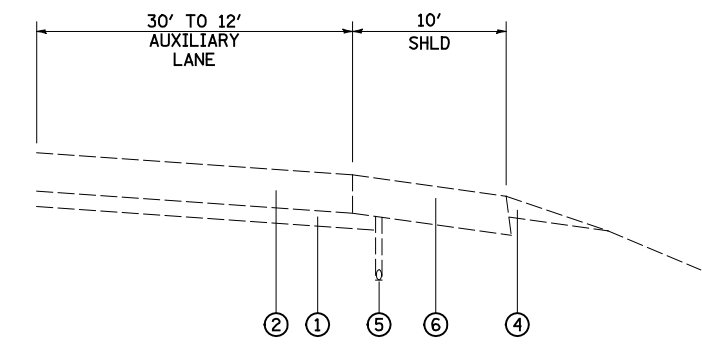


**SOUTH BOUND CONCRETE AUXILIARY LANES**  
 STA 1316+45 TO STA 1330+95

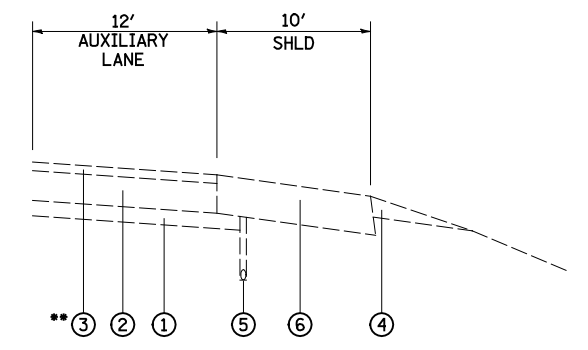


**SOUTH BOUND CONCRETE AUXILIARY LANES**  
 STA 1330+95 TO STA 1355+11

\* EXISTING RESURFACING BEGINS STA 1353+58



**NORTH BOUND CONCRETE AUXILIARY LANES**  
 STA 1331+50 TO STA 1340+50



**NORTH BOUND CONCRETE AUXILIARY LANES**  
 STA 1340+50 TO STA 1354+83

\*\* EXISTING RESURFACING BEGINS STA 1353+10

**LEGEND**

- ① EXISTING STABILIZED SUB-BASE 4"
- ② EXISTING CRPCC PAVEMENT 10"
- ③ EXISTING ASPHALT RESURFACING 2 1/4"
- ④ EXISTING AGGREGATE SHOULDERS TYPE B
- ⑤ EXISTING PIPE UNDERDRAINS 4"
- ⑥ EXISTING HOT-MIX ASPHALT SHOULDER 10"
- ⑦ EXISTING TEMPORARY CONCRETE BARRIER
- ⑧ EXISTING BITUMINOUS CURB
- ⑨ EXISTING ASPHALT RESURFACING, 3 3/4"
- ⑩ EXISTING PCC PAVEMENT 10" (REINFORCED)
- ⑪ EXISTING PCC PAVEMENT 8" (REINFORCED)
- ⑫ EXISTING HOT-MIX ASPHALT SHOULDER 8"
- ⑬ EXISTING APPROACH SLAB
- ⑭ EXISTING A-3 SURFACE TREATMENT
- ⑮ EXISTING AGGREGATE BASE COURSE, TYPE A 15"

■ HOT-MIX ASPHALT SURFACE REMOVAL, 1"

NOTE: FOR LIMITS OF REMOVAL ITEMS  
 SEE REMOVAL SHEETS

▨ REMOVAL ITEMS

FOR DETAIL A SEE SHEET 1 OF 8

FILE NAME =	USER NAME = Paul	DESIGNED - ESW	REVISED -	<b>STATE OF ILLINOIS DEPARTMENT OF TRANSPORTATION</b>	<b>EXISTING TYPICAL SECTIONS FAI ROUTE 255</b>			F.A.I. RTE. 255	SECTION 60-(7,8)RS-2	COUNTY MADISON	TOTAL SHEETS 261	SHEET NO. 17
#FILEL#	PLOT SCALE = 100.0000' / IN.	DRAWN - PDB	REVISED -		SCALE:	SHEET NO. 3 OF 8 SHEETS	STA.	TO STA.	<b>CONTRACT NO. 76A89</b>			
	PLOT DATE = 7/31/2012	CHECKED - BRM	REVISED -		ILLINOIS FED. AID PROJECT							
		DATE - 8-29-11	REVISED -									