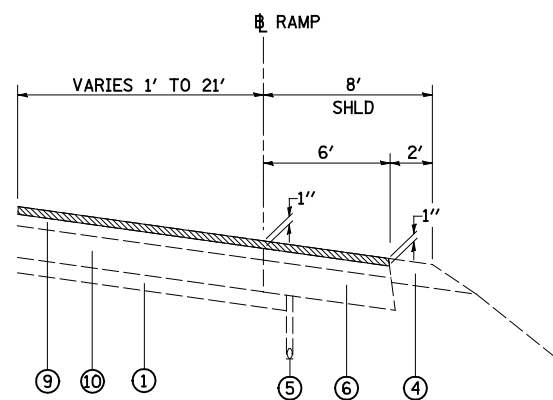


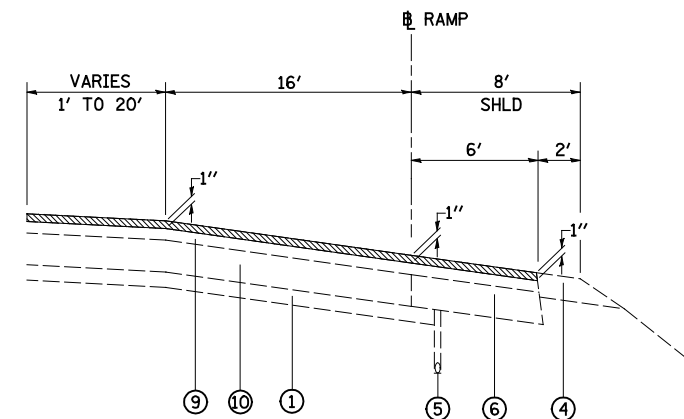
**ROADWAY A (I-255 & I-55/70)**

STA 700+00 TO STA 736+19



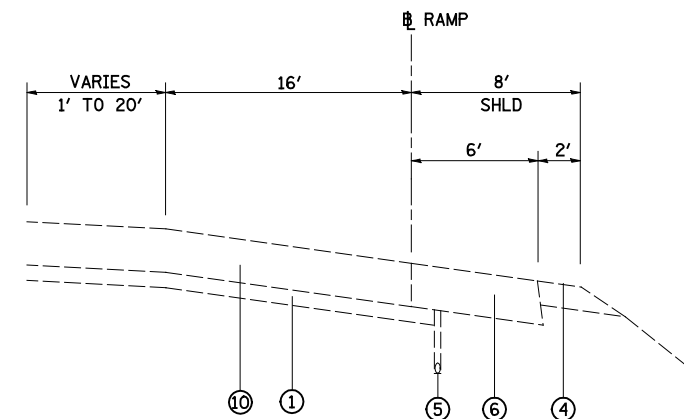
**RAMPS 1, 3, 4, & ROADWAY B (I-255 & I-55/70)**

STA 107+41 TO STA 110+42 (RAMP 1 AT RAMP 4)  
 STA 152+26 TO STA 161+75 (RAMP 1 AT RAMP 3)  
 STA 804+11 TO STA 807+13 (ROADWAY B AT RAMP 3)  
 STA 851+55 TO STA 860+05 (ROADWAY B AT RAMP 4)



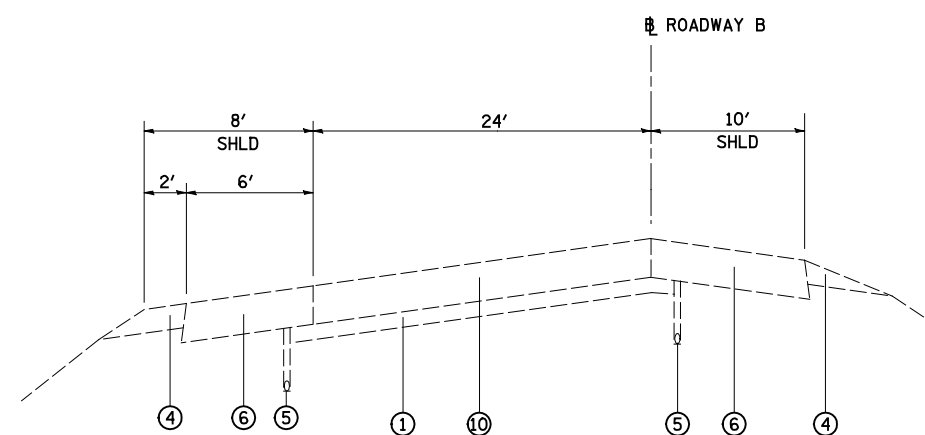
**RAMPS 1, 3, 4, & ROADWAY B (I-255 & I-55/70)**

STA 110+42 TO STA 114+01 (RAMP 1 AT RAMP 4)  
 STA 807+13 TO STA 810+72 (ROADWAY B AT RAMP 3)  
 STA 849+15 TO STA 851+55 (ROADWAY B AT RAMP 4)



**RAMPS 5, 6, & ROADWAY B (I-255 & I-55/70)**

STA 1287+40 TO STA 1290+99 (I-255 AT RAMP 5)  
 STA 1294+68 TO STA 1298+25 (I-255 AT RAMP 6)



**ROADWAY B (I-255 & I-55/70)**

STA 801+89 TO STA 818+26  
 STA 821+95 TO STA 867+04.54

BRIDGE OMISSION STA 818+26 TO STA 821+95

REMOVAL ITEMS

**LEGEND**

- ① EXISTING STABILIZED SUB-BASE 4"
- ② EXISTING CRPCC PAVEMENT 10"
- ③ EXISTING ASPHALT RESURFACING 2 1/4"
- ④ EXISTING AGGREGATE SHOULDERS TYPE B
- ⑤ EXISTING PIPE UNDERDRAINS 4"
- ⑥ EXISTING HOT-MIX ASPHALT SHOULDER 10"
- ⑦ EXISTING TEMPORARY CONCRETE BARRIER
- ⑧ EXISTING BITUMINOUS CURB
- ⑨ EXISTING ASPHALT RESURFACING, 3 3/4"
- ⑩ EXISTING PCC PAVEMENT 10" (REINFORCED)
- ⑪ EXISTING PCC PAVEMENT 8" (REINFORCED)
- ⑫ EXISTING HOT-MIX ASPHALT SHOULDER 8"
- ⑬ EXISTING APPROACH SLAB
- ⑭ EXISTING A-3 SURFACE TREATMENT
- ⑮ EXISTING AGGREGATE BASE COURSE, TYPE A 15"
- HOT-MIX ASPHALT SURFACE REMOVAL, 1"

NOTE: FOR LIMITS OF REMOVAL ITEMS  
 SEE REMOVAL SHEETS

FILE NAME = #FILEL#	USER NAME = Paul	DESIGNED - ESW	REVISED -	<b>STATE OF ILLINOIS DEPARTMENT OF TRANSPORTATION</b>	<b>EXISTING TYPICAL SECTIONS FAI ROUTE 255 RAMPS AT FAI ROUTE 55/70</b>		F.A.I. RTE. 255	SECTION 60-(7,8)RS-2	COUNTY MADISON	TOTAL SHEETS 261	SHEET NO. 21	
PLOT SCALE = 100.0000' / IN.		DRAWN - PDB	REVISED -		SCALE:	SHEET NO. 7 OF 8 SHEETS	STA. TO STA.	ILLINOIS FED. AID PROJECT		CONTRACT NO. 76A89		
PLOT DATE = 7/31/2012		CHECKED - BRM	REVISED -									
		DATE - 8-29-11	REVISED -									