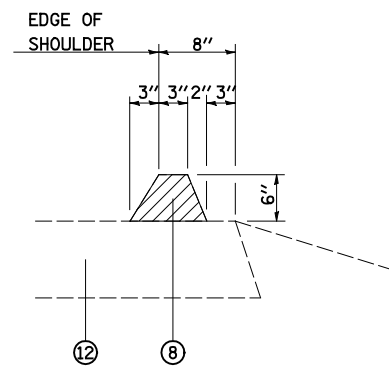


RAMPS 1-4 (HORSESHOE LAKE RD.)

RAMP 1 STA 3+24 TO STA 21+43
RAMP 2 STA 1+54 TO STA 14+98

RAMP 3 STA 3+15 TO STA 22+82
RAMP 4 STA 1+39 TO STA 23+78



DETAIL A

STA 8+44 TO STA 14+98 (RAMP 2)
STA 3+15 TO STA 5+98 (RAMP 3)

LEGEND

- ① EXISTING STABILIZED SUB-BASE 4"
- ② EXISTING CRPCC PAVEMENT 10"
- ③ EXISTING ASPHALT RESURFACING 2 1/4"
- ④ EXISTING AGGREGATE SHOULDERS TYPE B
- ⑤ EXISTING PIPE UNDERDRAINS 4"
- ⑥ EXISTING HOT-MIX ASPHALT SHOULDER 10"
- ⑦ EXISTING TEMPORARY CONCRETE BARRIER
- ⑧ EXISTING BITUMINOUS CURB
- ⑨ EXISTING ASPHALT RESURFACING, 3 3/4"
- ⑩ EXISTING PCC PAVEMENT 10" (REINFORCED)
- ⑪ EXISTING PCC PAVEMENT 8" (REINFORCED)
- ⑫ EXISTING HOT-MIX ASPHALT SHOULDER 8"
- ⑬ EXISTING APPROACH SLAB
- ⑭ EXISTING A-3 SURFACE TREATMENT
- ⑮ EXISTING AGGREGATE BASE COURSE, TYPE A 15"
- HOT-MIX ASPHALT SURFACE REMOVAL, 1"

NOTE: FOR LIMITS OF REMOVAL ITEMS
SEE REMOVAL SHEETS

REMOVAL ITEMS

FILE NAME =	USER NAME = Paul	DESIGNED - ESW	REVISED -	STATE OF ILLINOIS DEPARTMENT OF TRANSPORTATION	EXISTING TYPICAL SECTIONS FAI ROUTE 255 RAMPS 1-4 AT HORSESHOE LAKE ROAD			F.A.I. RTE.	SECTION	COUNTY	TOTAL SHEETS	SHEET NO.
#FILEL#		DRAWN - PDB	REVISED -		255	60-(7,8)RS-2	MADISON	261	22			
	PLOT SCALE = 100.0000' / IN.	CHECKED - BRM	REVISED -		SCALE: SHEET NO. 8 OF 8 SHEETS STA. TO STA.			CONTRACT NO. 76A89				
	PLOT DATE = 7/31/2012	DATE - 8-29-11	REVISED -		ILLINOIS FED. AID PROJECT							