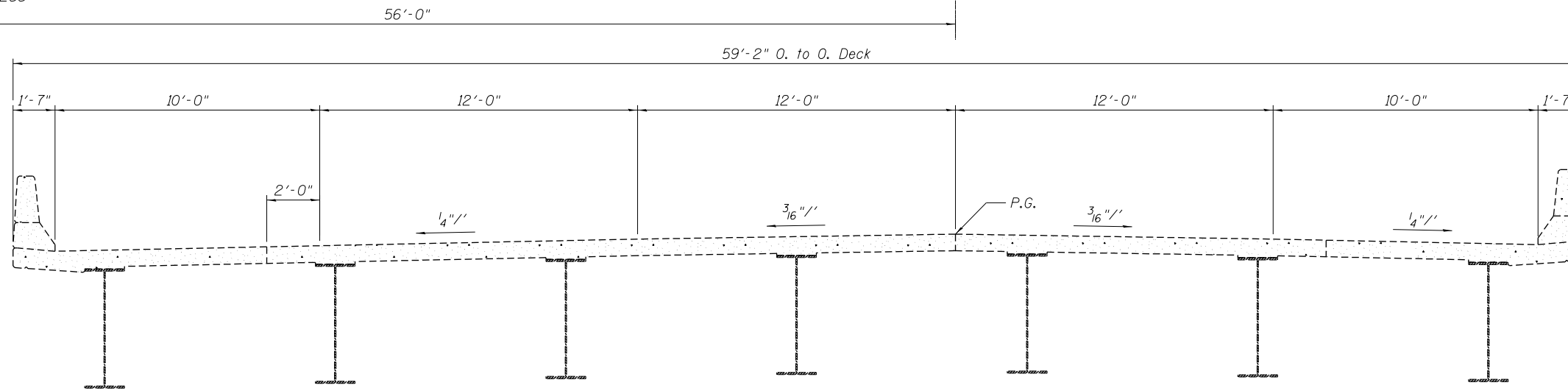
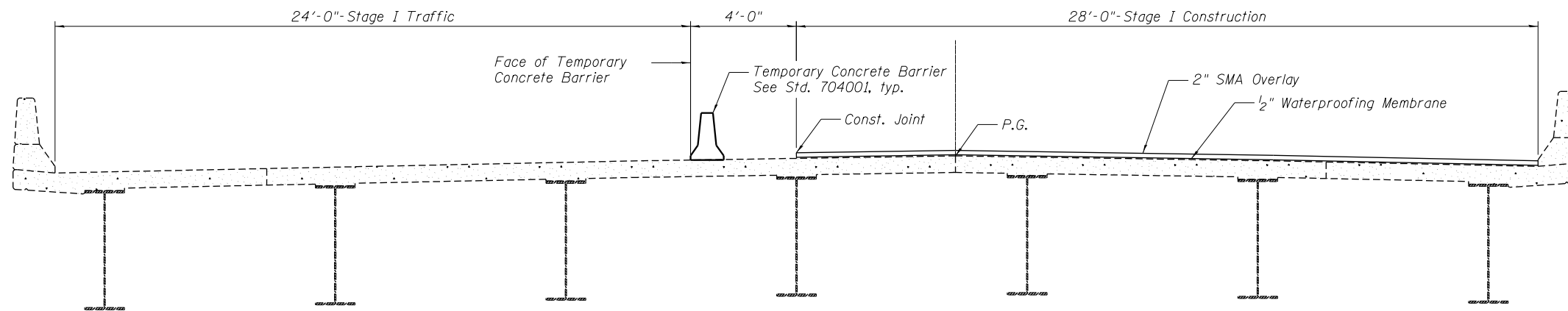


☉ F.A.I. Rte. 255



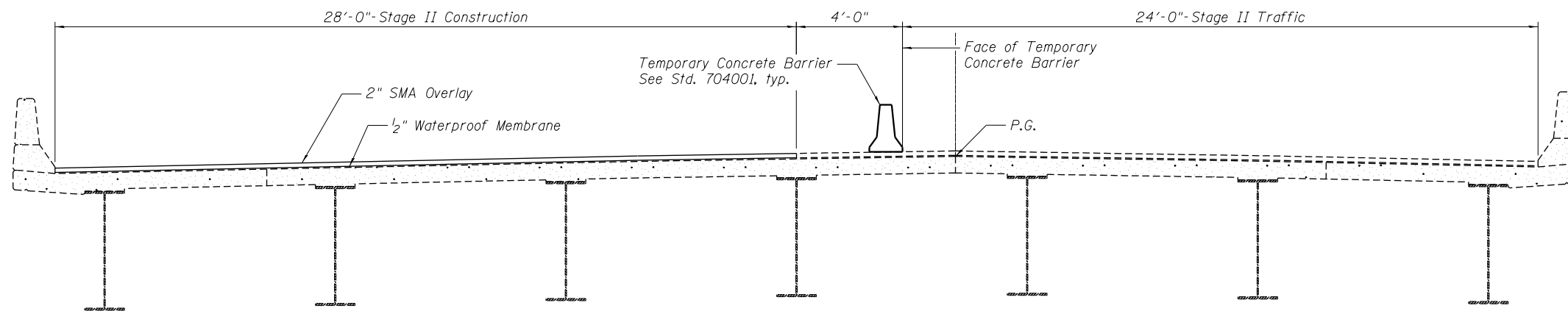
EXISTING CROSS SECTION

NB Rdway Looking North



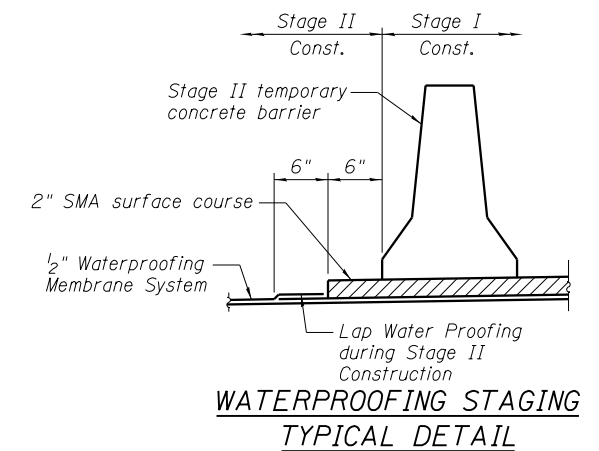
STAGE I CONSTRUCTION

NB Rdway Looking North



STAGE II CONSTRUCTION

NB Rdway Looking North



**WATERPROOFING STAGING
TYPICAL DETAIL**

8/24/2012 10:09:34 PM G:\CHIN\013\Bridges\CADD\060-0238\0239\0600238-76A89-02-Stage_Construction.dgn

FILE NAME = 0600238-76A89-02-Stage_Construction.dgn



USER NAME = DMGolas	DESIGNED - WAE	REVISED -
PLOT SCALE = 5/4" = 1' / in.	CHECKED - FAS	REVISED -
PLOT DATE = 8/24/2012	DRAWN - DMG	REVISED -
	CHECKED - SLZ	REVISED -

**STATE OF ILLINOIS
DEPARTMENT OF TRANSPORTATION**

**STAGE CONSTRUCTION
STRUCTURE NO. 060-0238 NB**

SHEET NO. 2 OF 15 SHEETS

F.A.I. RTE.	SECTION	COUNTY	TOTAL SHEETS	SHEET NO.
255	60-(7,8) RS-2	MADISON	261	197
			CONTRACT NO. 76A89	
ILLINOIS FED. AID PROJECT				