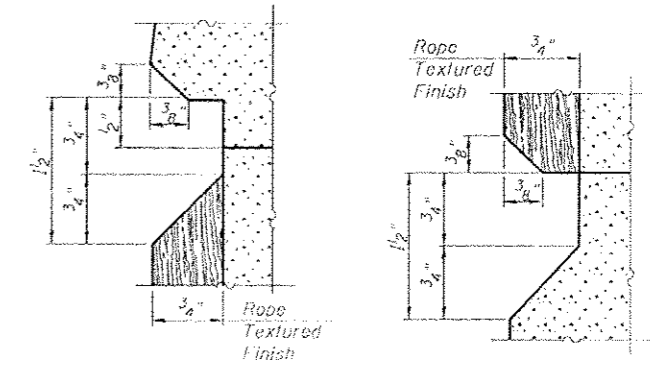


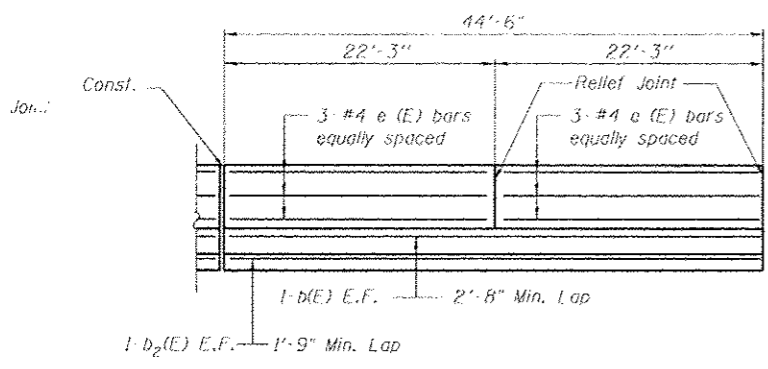
WEST PARAPET ELEVATION CONCRETE REMOVAL
North Approach



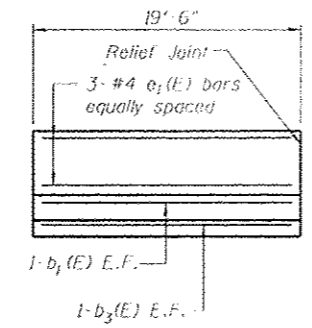
NOTCH DETAIL

DETAIL "A"

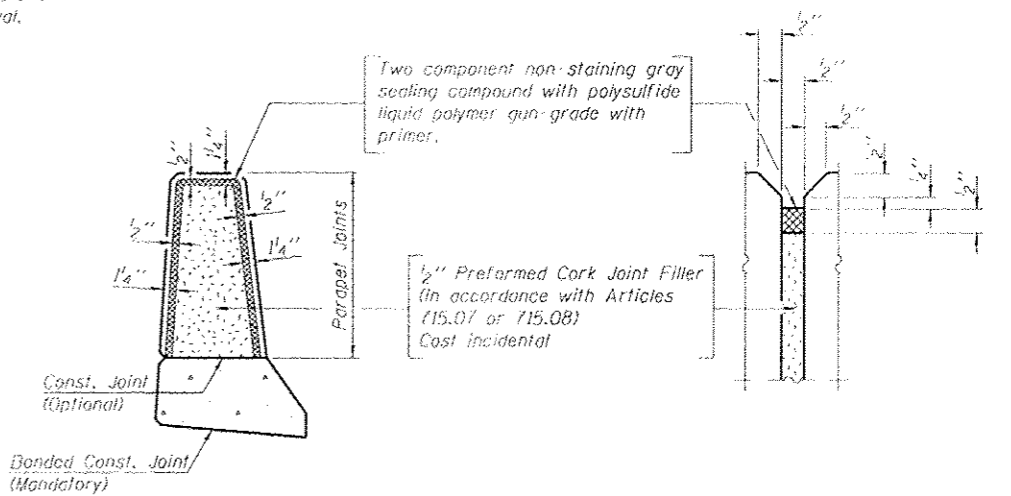
- NOTES:**
- 1) Replace all longitudinal bars. Splice onto existing rebar with approved bar splicer or anchor system.
 - 2) Existing vertical bars extending into the removal area shall be cleaned, straightened and incorporated into the new construction.
 - 3) Any bars that are damaged during removal shall be with an approved bar splicer or anchor system. Cost shall be included with concrete removal.



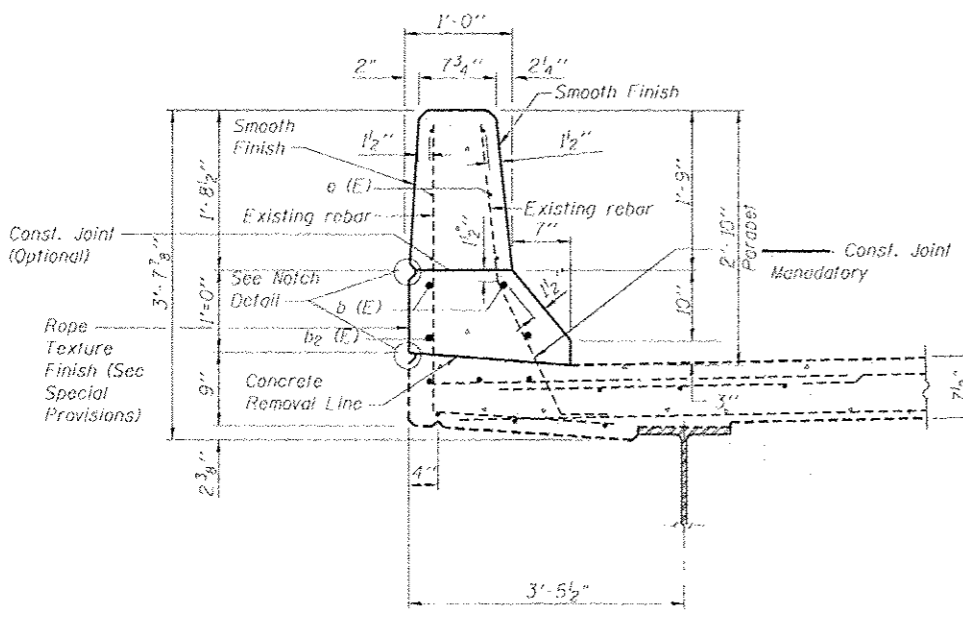
PARAPET ELEVATIONS
S.B. WEST PARAPET
(Looking From Inside)



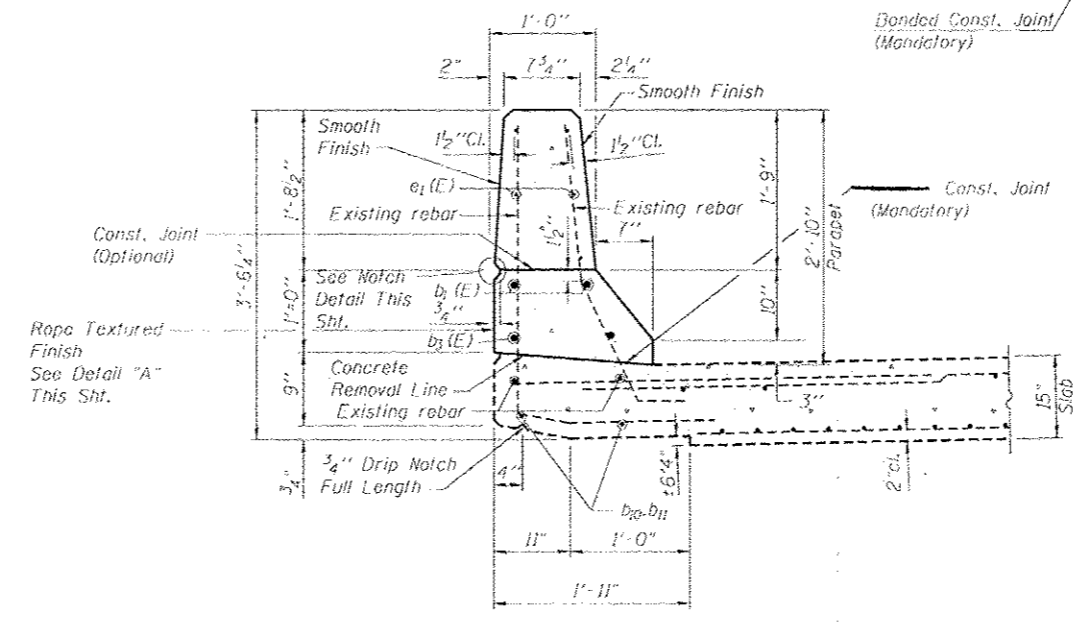
CONCRETE REPLACEMENT



RELIEF JOINT DETAILS



SECTION A-A



SECTION B-B

BILL OF MATERIAL

Bar	No.	Size	Length	Shape
a (E)	12	#4	21'-11"	---
a ₁ (E)	6	#4	19'-2"	---
b (E)	4	#8	23'-7"	---
b ₁ (E)	2	#8	19'-4"	---
b ₂ (E)	4	#5	23'-2"	---
b ₃ (E)	2	#5	19'-4"	---
		Item	Unit	Quantity
Concrete Removal		Cu. Yd.		6.9
Concrete Superstructure		Cu. Yd.		6.9
Reinforcement Bars, Epoxy Coated		Pound		763
Protective Coat		Sq. Yd.		25

8/24/2012 9:11 AM - C:\Users\dmc\Documents\060-0238A\0238A-13-Parapet Removal Replacement.rvt
 8/24/2012 9:11 AM - C:\Users\dmc\Documents\060-0238A\0238A-13-Parapet Removal Replacement.rvt

FILE NAME: 060238-76A89-13-Parapet Removal Replacement.rvt



USER NAME	DESIGNED	CHECKED	DRAWN	PLT DATE
DMC/ahs	WAE	FAS	DMC	8/24/2012

STATE OF ILLINOIS
DEPARTMENT OF TRANSPORTATION

PARAPET WALL REPAIR DETAILS
STRUCTURE NO. 060-0239

SHEET NO. 13 OF 15 SHEETS

F.A.I. RTE.	SECTION	COUNTY	TOTAL SHEETS	SHEET NO.
255	60-17.8) RS-2	MADISON	261	208

CONTRACT NO. 76A89

ILLINOIS FED. AID PROJECT