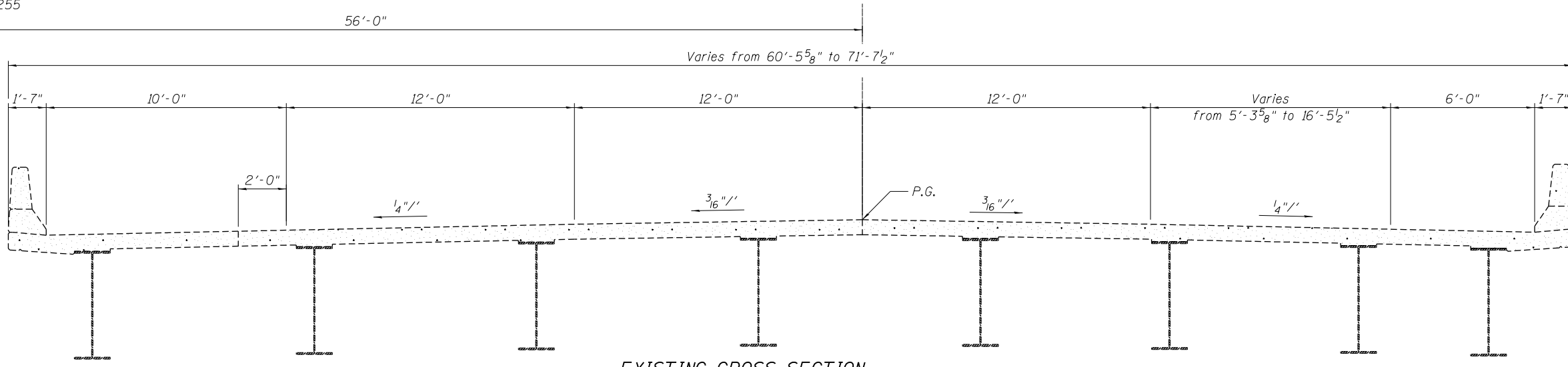
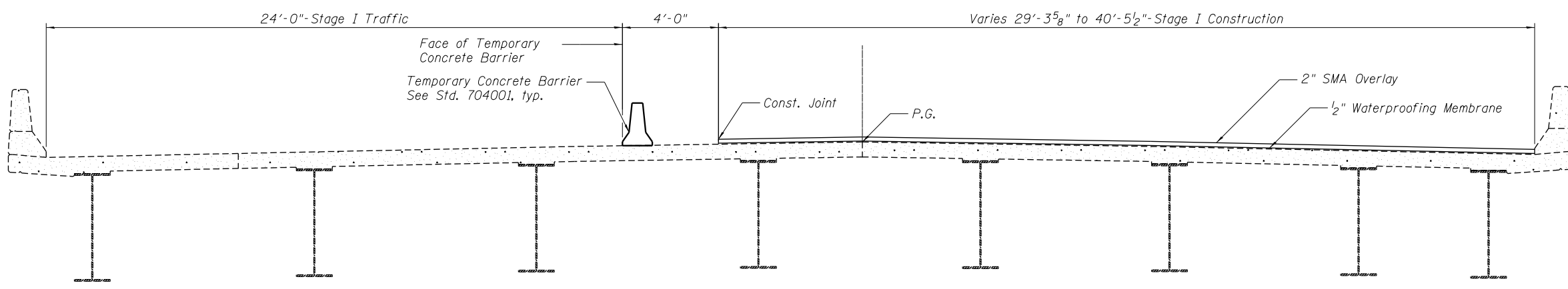


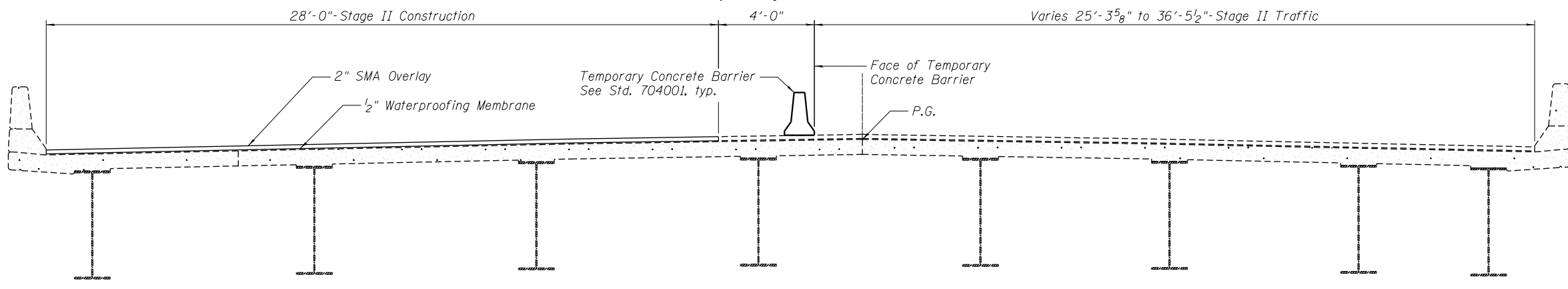
℄ F.A.I. Rte. 255



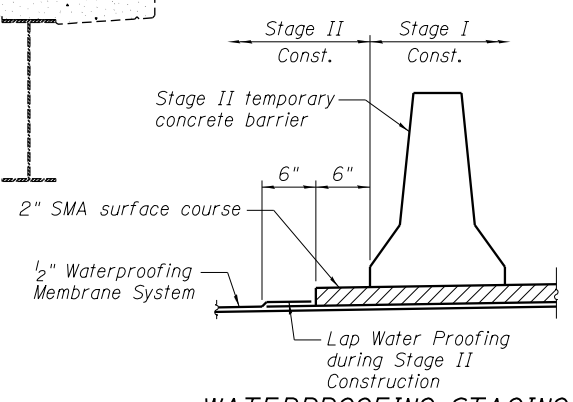
EXISTING CROSS SECTION
NB Rdway Looking North



STAGE I CONSTRUCTION
NB Rdway Looking North



STAGE II CONSTRUCTION
NB Rdway Looking North



WATERPROOFING STAGING
TYPICAL DETAIL

8/24/2012 10:06:20 PM G:\CHIN\0013\Bridges\CADD\060-0206&0207\0600206-76A89-02-Stage_Const_NB.dgn

FILE NAME = 0600206-76A89-02-Stage_Const_NB.dgn



USER NAME = DMGloias	DESIGNED - WAE	REVISED -
PLOT SCALE = 5/4" 1' = 1/4"	CHECKED - FAS	REVISED -
PLOT DATE = 8/24/2012	DRAWN - DMG	REVISED -
	CHECKED - SLZ	REVISED -

STATE OF ILLINOIS
DEPARTMENT OF TRANSPORTATION

STAGE CONSTRUCTION
STRUCTURE NO. 060-0206 NB

SHEET NO. 2 OF 17 SHEETS

F.A.I. RTE.	SECTION	COUNTY	TOTAL SHEETS	SHEET NO.
255	60-(7,8) RS-2	MADISON	261	212
CONTRACT NO. 76A89				
ILLINOIS FED. AID PROJECT				