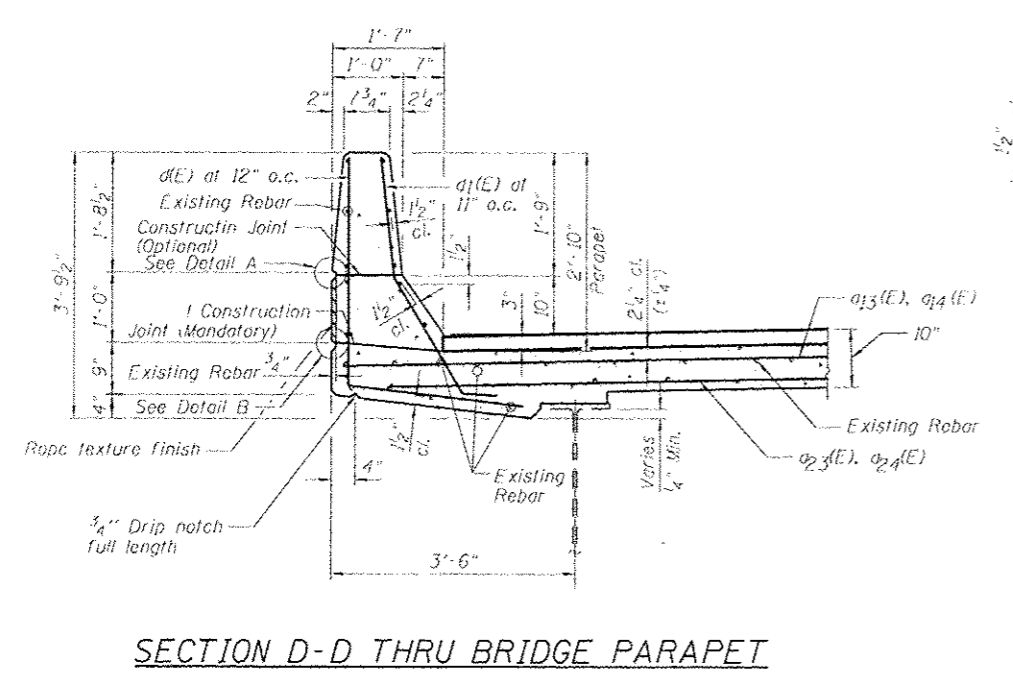


**NORTH ABUTMENT
BILL OF MATERIAL**

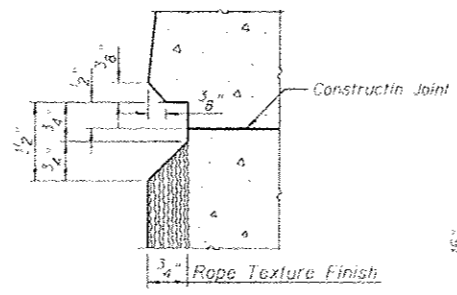
Bar	No.	Size	Length	Shape
a ₁ (E)	2	#5	31'-10"	
a ₃ (E)	2	#5	28'-4"	
a ₁₂ (E)	7	#5	32'-10"	
a ₁₃ (E)	7	#5	29'-4"	
a ₂₂ (E)	5	#5	32'-10"	
a ₂₄ (E)	5	#5	29'-4"	
a ₃₁ (E)	1	#6	32'-10"	
a ₃₄ (E)	1	#6	29'-4"	
a ₄₂ (E)	1	#6	32'-10"	
a ₄₄ (E)	1	#6	29'-4"	
b(E)	61		3'-6"	
u(E)	61	#5	1'-4"	
d(E)	12	#4	5'-2"	L
d ₁ (E)	12	#5	3'-11"	L
d ₃ (E)	4	#4	6'-2"	L
Item	Unit	Quantity		
Reinforcement Bars, Epoxy Coated	Pound	1500		
Bar Splicers	Each	16		

**SOUTH ABUTMENT
BILL OF MATERIAL**

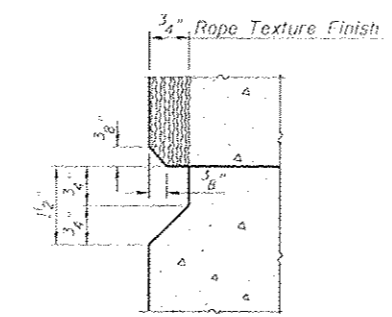
Bar	No.	Size	Length	Shape
a ₆ (E)	2	#5	23'-1"	
a ₉ (E)	2	#5	28'-4"	
a ₁₁ (E)	7	#5	23'-7"	
a ₁₃ (E)	7	#5	29'-4"	
a ₂₁ (E)	5	#5	23'-7"	
a ₂₃ (E)	5	#5	29'-4"	
a ₃₁ (E)	1	#6	23'-10"	
a ₃₃ (E)	1	#6	29'-4"	
a ₄₁ (E)	1	#6	23'-10"	
a ₄₃ (E)	1	#6	29'-4"	
b(E)	61	#4	3'-4"	
u(E)	61	#5	1'-4"	
d(E)	12	#4	5'-4"	L
d ₁ (E)	12	#5	3'-11"	L
d ₃ (E)	4	#4	6'-2"	L
Item	Unit	Quantity		
Reinforcement Bars, Epoxy Coated	Pound	1700		
Bar Splicers	Each	16		



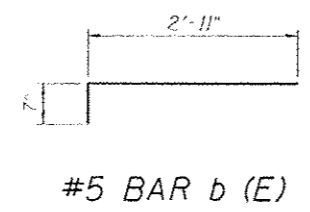
SECTION D-D THRU BRIDGE PARAPET



DETAIL A



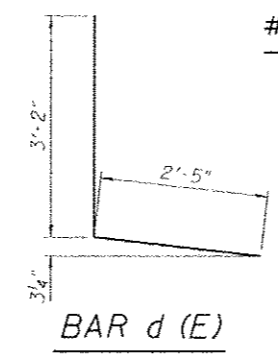
DETAIL B



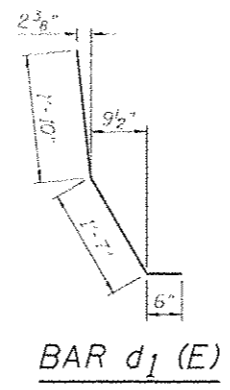
#5 BAR b (E)



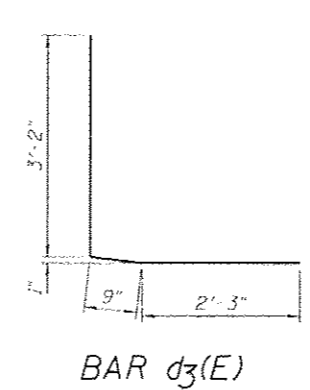
#5 BAR u (E)



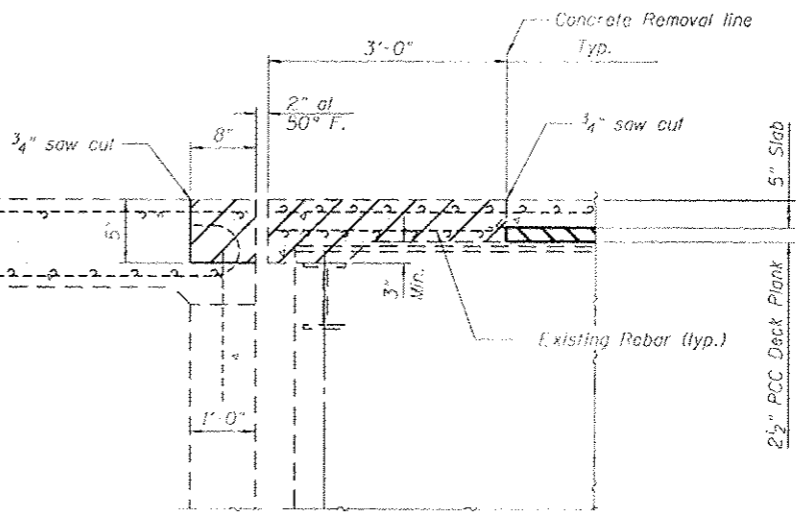
BAR d (E)



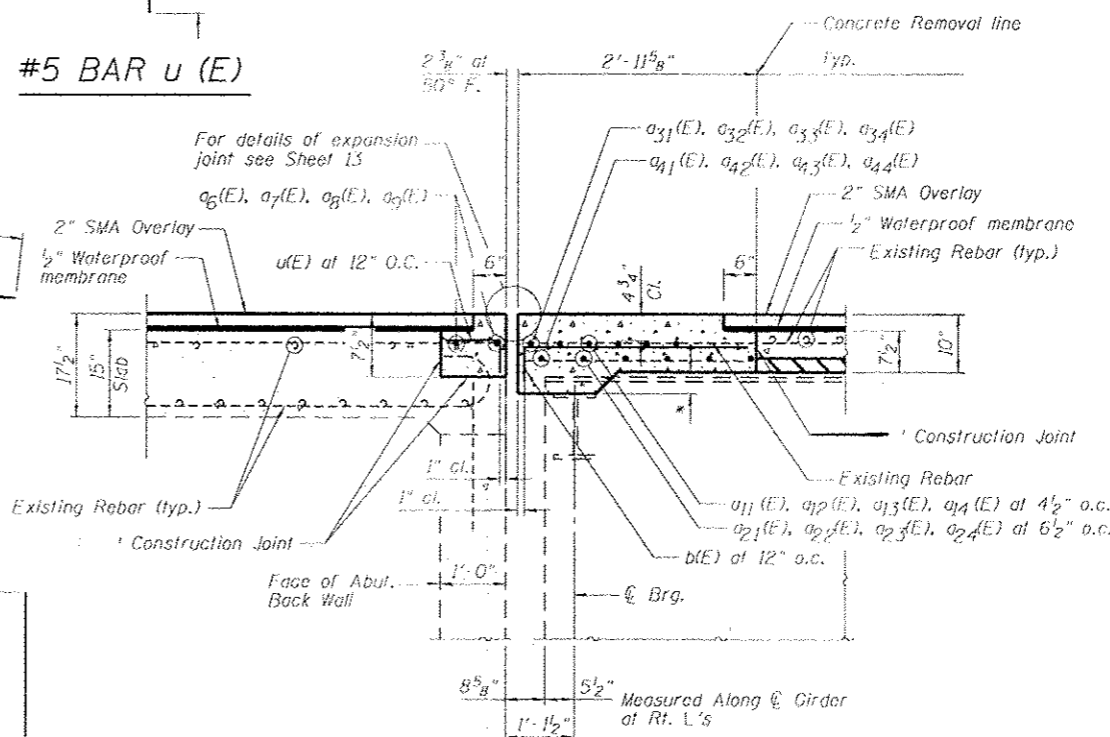
BAR d₁ (E)



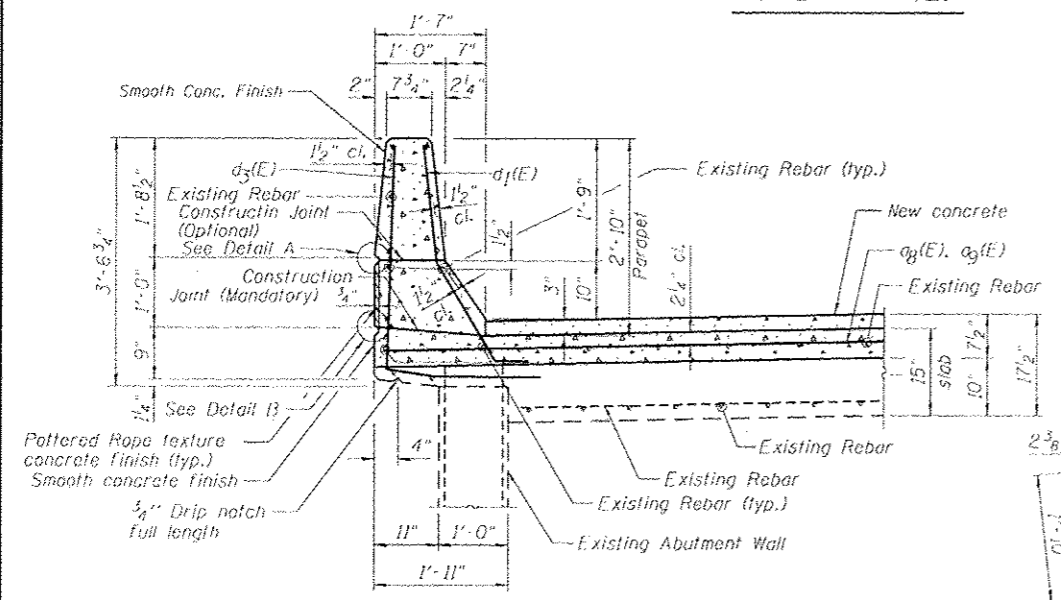
BAR d₃ (E)



**SECTION A-A
CONCRETE REMOVAL DETAIL**



SECTION B-B



SECTION C-C THRU ABUTMENT PARAPET

FILE NAME: 0606207-76A89-12-Deck Joint Details SB.dgn



USER NAME: DMC/SLZ	DESIGNED: WAE	REVISED:
PL01 SCALE: 2/8" = 1'-0"	CHECKED: FAS	REVISED:
PL01 DATE: 6/24/2012	DRAWN: DMG	REVISED:
	CHECKED: SLZ	REVISED:

**STATE OF ILLINOIS
DEPARTMENT OF TRANSPORTATION**

**DECK JOINT DETAILS SOUTH BOUND
STRUCTURE NO. 060-0207 (SB)**

SHEET NO. 12 OF 17 SHEETS

F.A.I. RTE. 255	SECTION 60-(7,8) RS-2	COUNTY MADISON	TOTAL SHEETS 261	SHEET NO. 222
			CONTRACT NO. 76A89	
ILLINOIS FED. AID PROJECT				