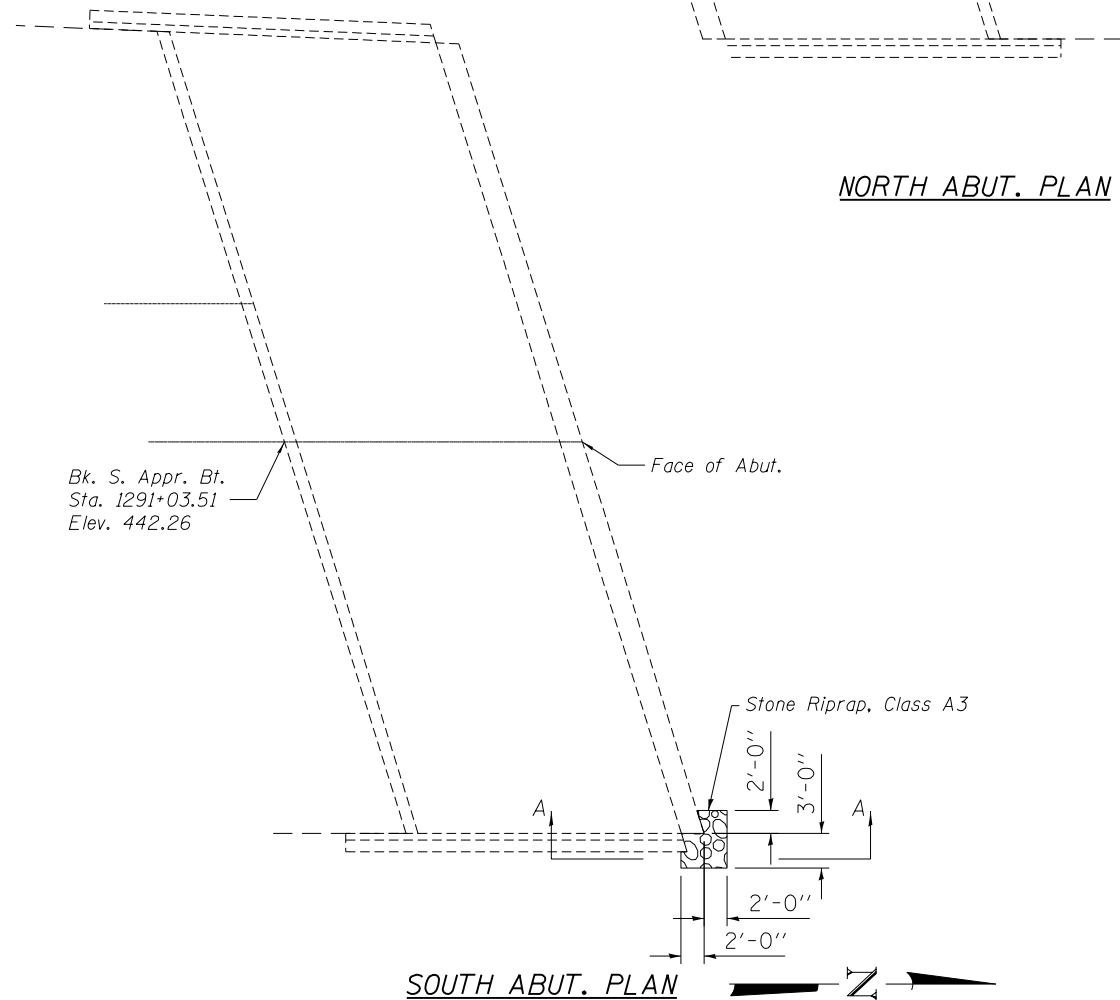
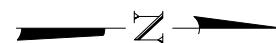
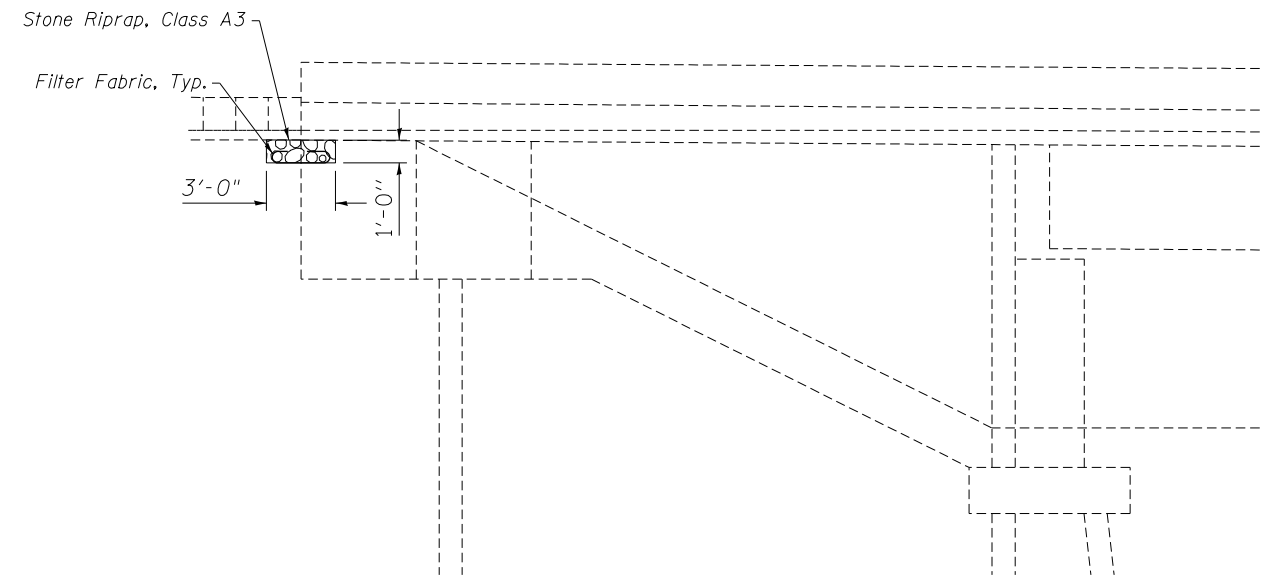
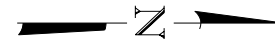


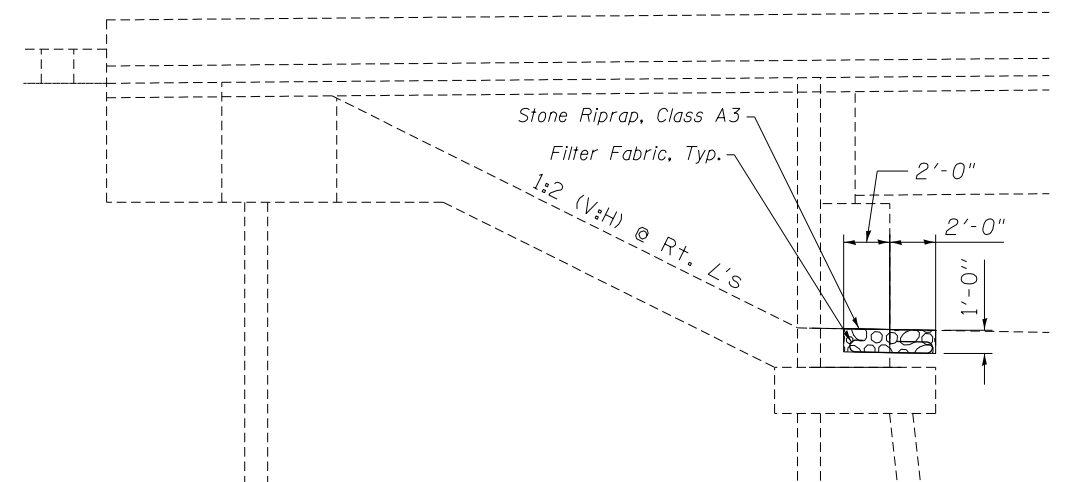
NORTH ABUT. PLAN



SOUTH ABUT. PLAN



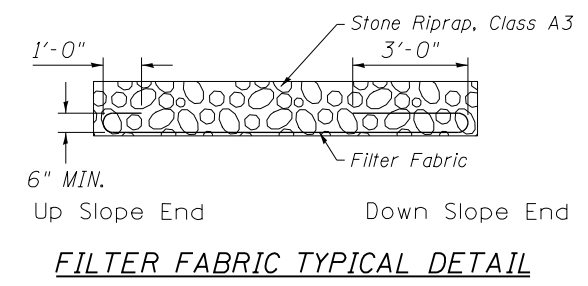
SECTION B-B  
NORTH ABUT. ELEVATION - LOOKING EAST



SECTION A-A  
SOUTH ABUT. ELEVATION - LOOKING WEST

**BILL OF MATERIAL**

Item	Unit	Total
Stone Riprap, Class A3	Ton	3
Filter Fabric	Sq. Yd.	5



FILTER FABRIC TYPICAL DETAIL

8/24/2012 10:06:32 PM G:\CHIN\0013\Bridges\CADD\060-0206&0207\0600207-76A89-16-Slope.Repairs.SB.dgn

FILE NAME = 0600207-76A89-16-Slope.Repairs.SB.dgn



USER NAME = DMGoitas	X	DESIGNED - WAE	REVISED -
	X	CHECKED - FAS	REVISED -
PLOT SCALE = 16:8 '1' / in.	X	DRAWN - DMG	REVISED -
PLOT DATE = 8/24/2012	X	CHECKED - SLZ	REVISED -

**STATE OF ILLINOIS  
DEPARTMENT OF TRANSPORTATION**

**SLOPE REPAIRS SOUTH BOUND  
STRUCTURE NO. 060-0207**

SHEET NO. 16 OF 17 SHEETS

F.A.I. RTE.	SECTION	COUNTY	TOTAL SHEETS	SHEET NO.
255	60-(7,8) RS-2	MADISON	261	226
CONTRACT NO. 76A89				

ILLINOIS FED. AID PROJECT