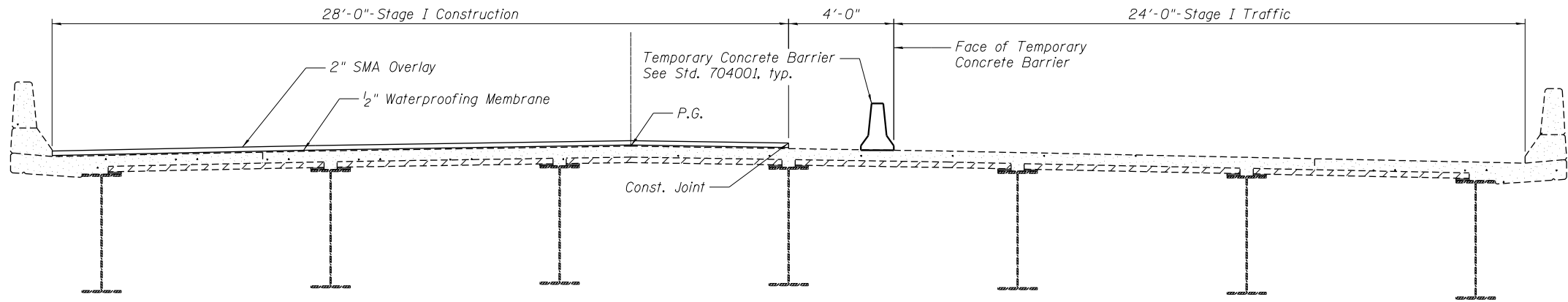
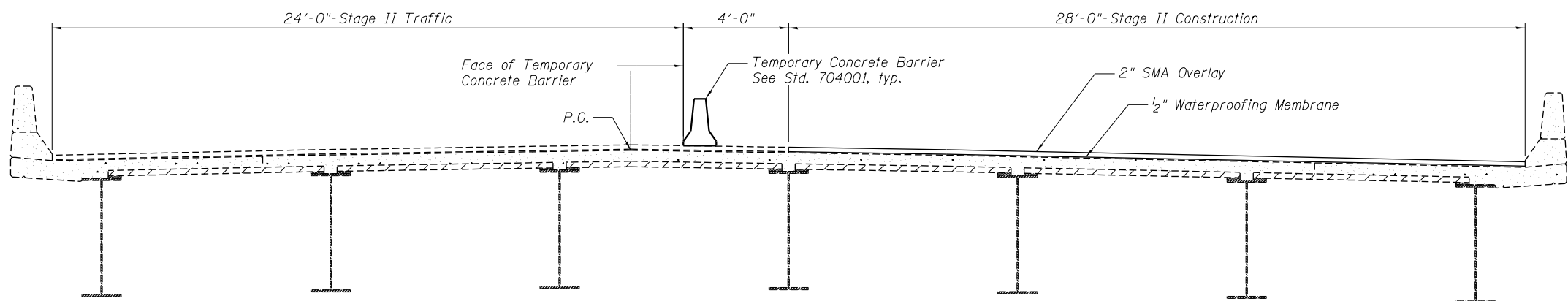


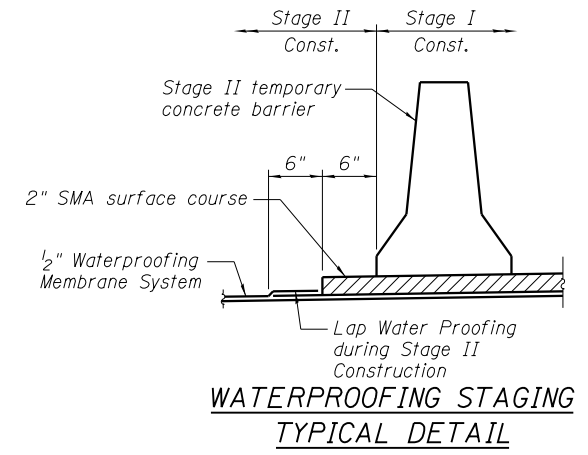
EXISTING CROSS SECTION
SB Rdway Looking North



STAGE I CONSTRUCTION
SB Rdway Looking North



STAGE II CONSTRUCTION
SB Rdway Looking North



8/24/2012 10:07:21 PM - G:\CHIN\0013\Bridges\CADD\060-02148\0253\0600214-76A89-03-Stage_Constr_SB.dgn

FILE NAME = 0600214-76A89-03-Stage_Constr_SB.dgn



USER NAME = DMGolas	DESIGNED - WAE	REVISED -
PLOT SCALE = 5/4 1' = 1/4"	CHECKED - FMS	REVISED -
PLOT DATE = 8/24/2012	DRAWN - DMG	REVISED -
	CHECKED - SIXZ	REVISED -

STATE OF ILLINOIS
DEPARTMENT OF TRANSPORTATION

STAGE CONSTRUCTION SOUTHBOUND
STRUCTURE NO. 060-0253 SB

SHEET NO. 3 OF 16 SHEETS

F.A.I. RTE.	SECTION	COUNTY	TOTAL SHEETS	SHEET NO.
255	60-(7,8) RS-2	MADISON	261	230
CONTRACT NO. 76A89				

ILLINOIS FED. AID PROJECT