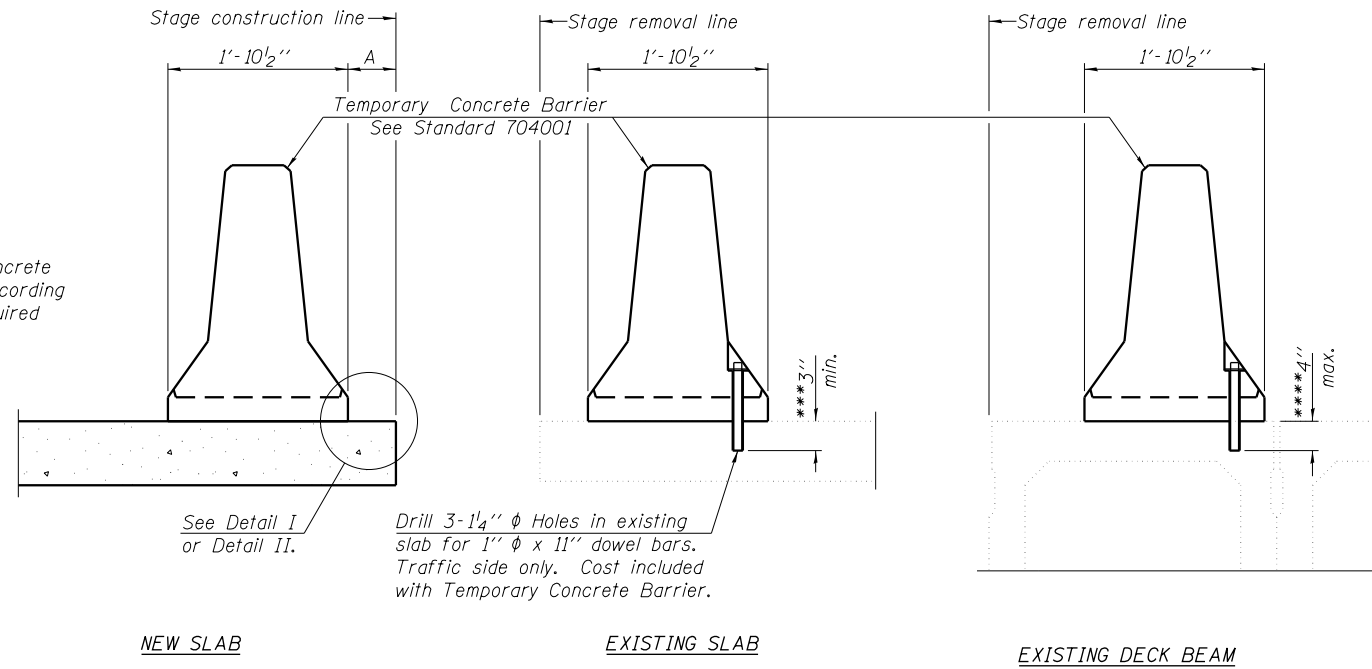


When "A" is 3'-6" or less, the temporary concrete barrier shall be anchored to the new slab according to Detail I or Detail II. No anchorage is required when "A" is greater than 3'-6".



SECTIONS THRU SLAB OR DECK BEAM

NOTES

Detail I - With Bar Splicer or Couplers:
Connect one (1) 1" x 7" x "W" steel \bar{L} to the top layer of couplers with 2-5/8" ϕ bolts screwed to coupler at approximate \bar{C} of each barrier panel.

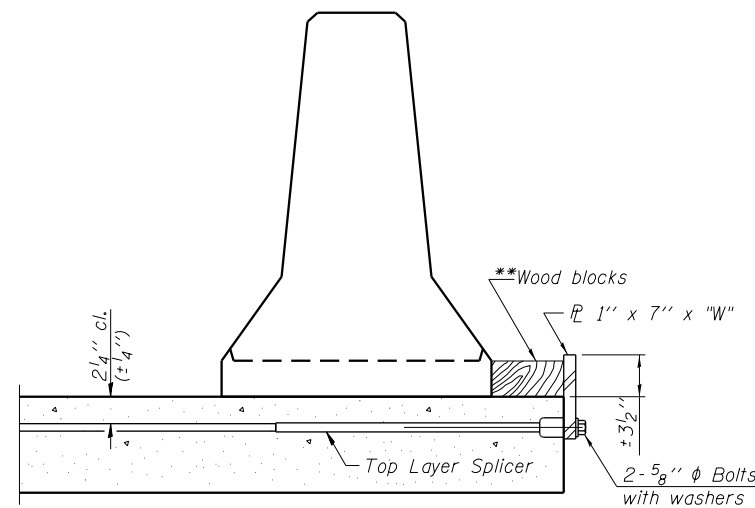
Detail II - With Extended Reinforcement Bars:
Connect one (1) 1" x 7" x "W" steel \bar{L} to the concrete slab or concrete wearing surface with 2-5/8" ϕ Expansion Anchors or cast in place inserts spaced between the top layer of reinforcement at approximate \bar{C} of each barrier panel.

Cost of anchorage is included with Temporary Concrete Barrier. The 1" x 7" x "W" plate shall not be removed until stage II construction forms and all reinforcement bars are in place and the concrete is ready to be placed.

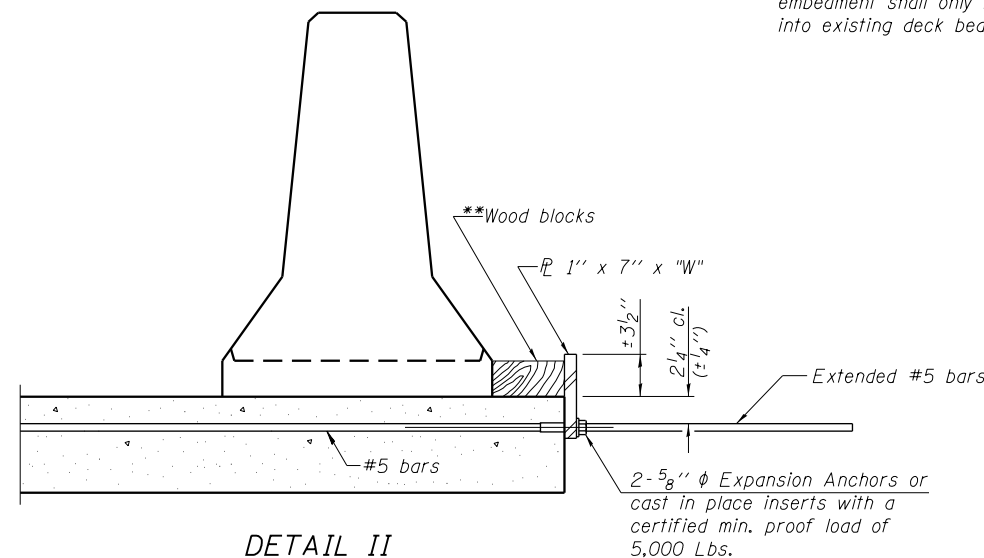
For Quantity of Temporary Concrete Barrier see Roadway Plans.

*** Dimension shown is minimum required embedment into concrete. If hot-mix asphalt wearing surface is present, minimum embedment shall be in addition to wearing surface depth.

**** If existing deck beam is to remain in place after stage construction, embedment shall only be into wearing surface and not into existing deck beam concrete.



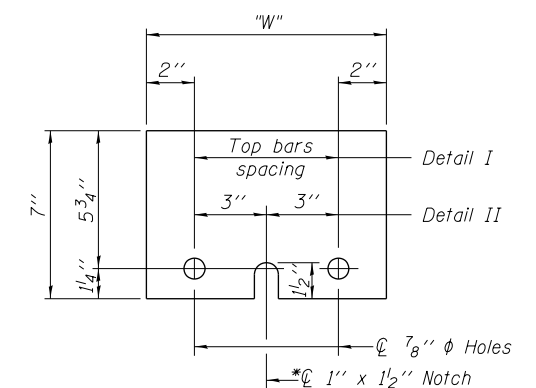
DETAIL I



DETAIL II

** Wood blocks may be omitted when required to provide minimum stage traffic lane width. When the wood blocks are omitted, the concrete barrier shall be in direct contact with the steel retainer plate.

"W" = Top bars spacing + 4"



STEEL RETAINER \bar{L} 1" x 7" x "W"

* Required only with Detail II

Note: For Quantity of Temporary Concrete barriers see Roadway Plans.

8/24/2012 10:07:22 PM - G:\CHIN\0013\Bridges\CADD\060-0214&0253-76A89-04-Temp.Barrier.dgn

R-27 7-1-10
FILE NAME = 0600214&0253-76A89-04-Temp.Barrier.dgn



USER NAME = DMGolas	X	DESIGNED - WAE	REVISED -
	X	CHECKED - FAS	REVISED -
PLOT SCALE = 0:2.0000 '1' / 1"	X	DRAWN - DMG	REVISED -
PLOT DATE = 8/24/2012	X	CHECKED - SLZ	REVISED -

**STATE OF ILLINOIS
DEPARTMENT OF TRANSPORTATION**

**TEMPORARY CONCRETE BARRIER DETAILS FOR STAGE CONSTRUCTION
STRUCTURE NO. 060-0214 AND 060-0253**

SHEET NO. 4 OF 16 SHEETS

F.A.I. RTE.	SECTION	COUNTY	TOTAL SHEETS	SHEET NO.
255	60-(7,8) RS-2	MADISON	261	231
			CONTRACT NO. 76A89	
ILLINOIS FED. AID PROJECT				