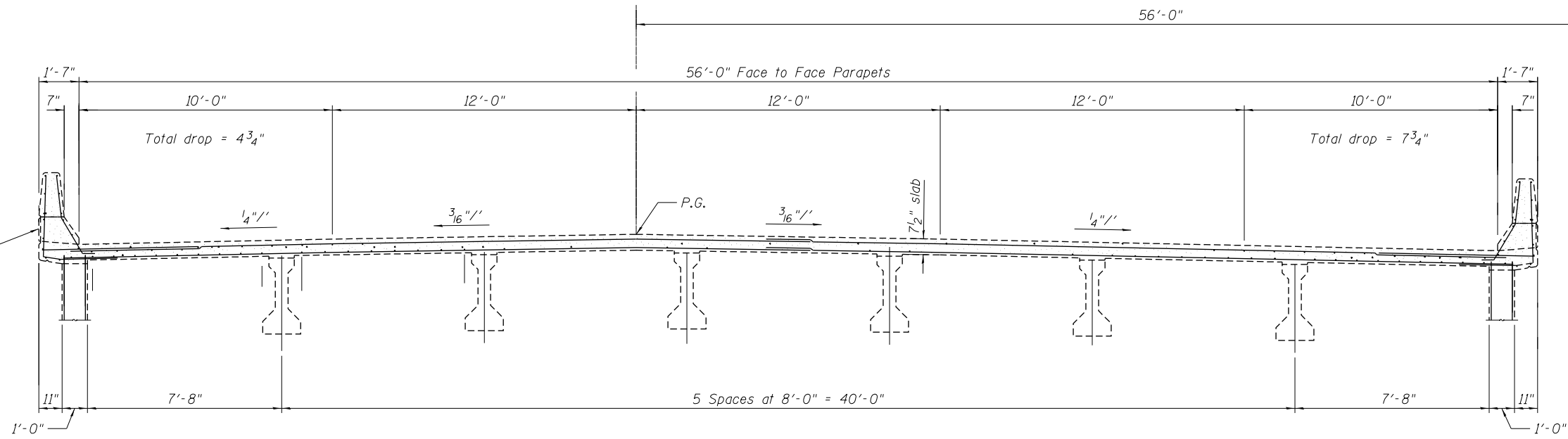


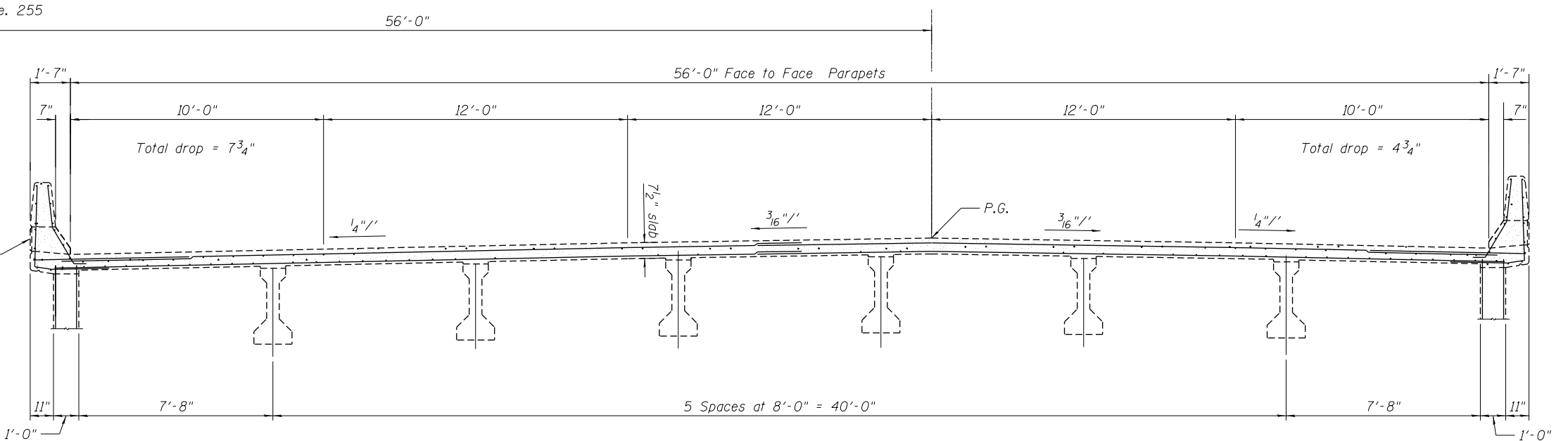
For parapet details & reinforcement see sheet



CROSS SECTION
S.B. ROADWAY

← F.A.I. Rte. 255

For parapet details & reinforcement see sheet



CROSS SECTION
N.B. ROADWAY

FOR INFORMATION ONLY

8/24/2012 10:07:28 PM G:\CHIN\0013\Bridges\CADD\060-0214&0253-76A89-12-Approach_Section.dgn

FILE NAME = 0600214&0253-76A89-12-Approach_Section.dgn



USER NAME = DMGloias	DESIGNED - WKE	REVISED -
PLOT SCALE = 5/4" = 1' = 1/4"	CHECKED - FMS	REVISED -
PLOT DATE = 8/24/2012	DRAWN - DMG	REVISED -
	CHECKED - SKZ	REVISED -

STATE OF ILLINOIS
DEPARTMENT OF TRANSPORTATION

APPROACH CROSS SECTIONS
STRUCTURE NO. 060-0214 NB & 060-0253 SB

SHEET NO. 12 OF 16 SHEETS

F.A.I. RTE.	SECTION	COUNTY	TOTAL SHEETS	SHEET NO.
255	60-(7,8) RS-2	MADISON	261	239
CONTRACT NO. 76A89				

ILLINOIS FED. AID PROJECT