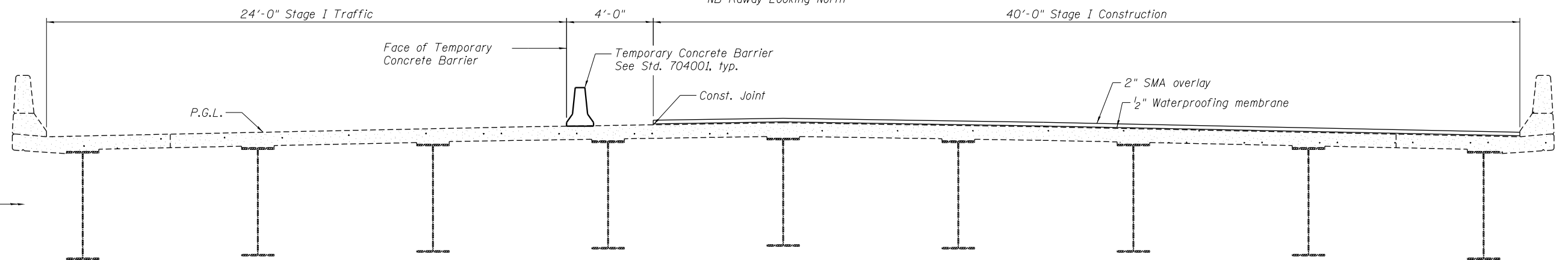


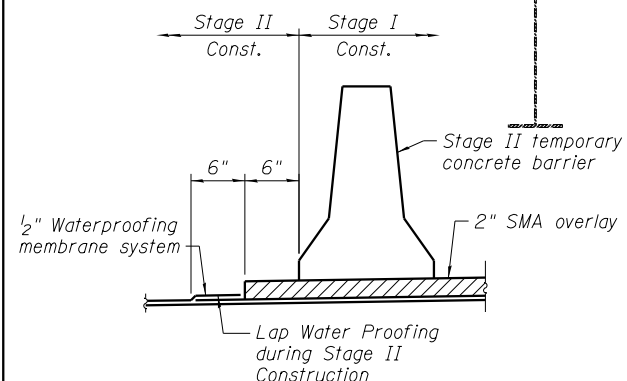
EXISTING CROSS SECTION

NB Rdway Looking North

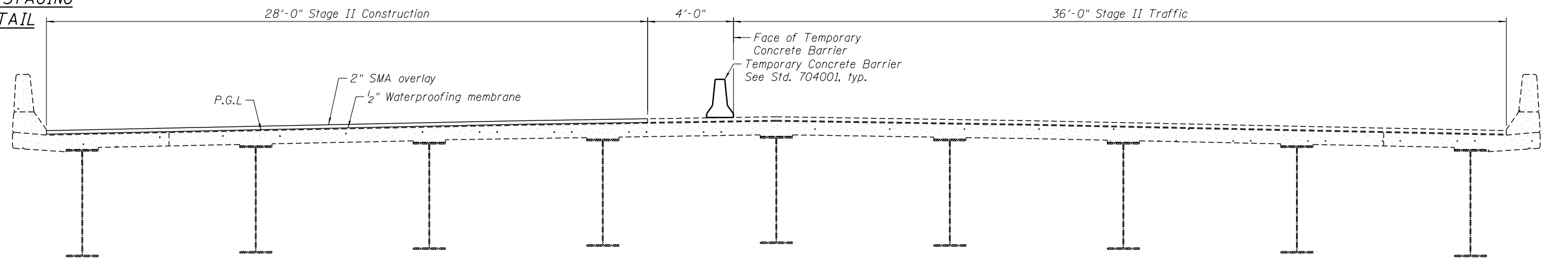


STAGE I CONSTRUCTION

NB Rdway Looking North



**WATERPROOFING STAGING
TYPICAL DETAIL**



STAGE II CONSTRUCTION

NB Rdway Looking North

8/24/2012 10:06:51 PM - G:\CHIN\0013\Bridges\CADD\060-0216&0217\0600216-76A89-02-Stage_Const_NB.dgn

FILE NAME = 0600216-76A89-02-Stage_Const_NB.dgn



USER NAME = DMGolas	DESIGNED - WAE	REVISED -
	CHECKED - FMS	REVISED -
PLOT SCALE = 5/4" = 1' / in.	DRAWN - DMG	REVISED -
PLOT DATE = 8/24/2012	CHECKED - SXZ	REVISED -

**STATE OF ILLINOIS
DEPARTMENT OF TRANSPORTATION**

**STAGE CONSTRUCTION NORTHBOUND
STRUCTURE NO. 060-0216 NB**

SHEET NO. 2 OF 14 SHEETS

F.A.I. RTE.	SECTION	COUNTY	TOTAL SHEETS	SHEET NO.
255	60-(7,8) RS-2	MADISON	261	245
CONTRACT NO. 76A89				

ILLINOIS FED. AID PROJECT