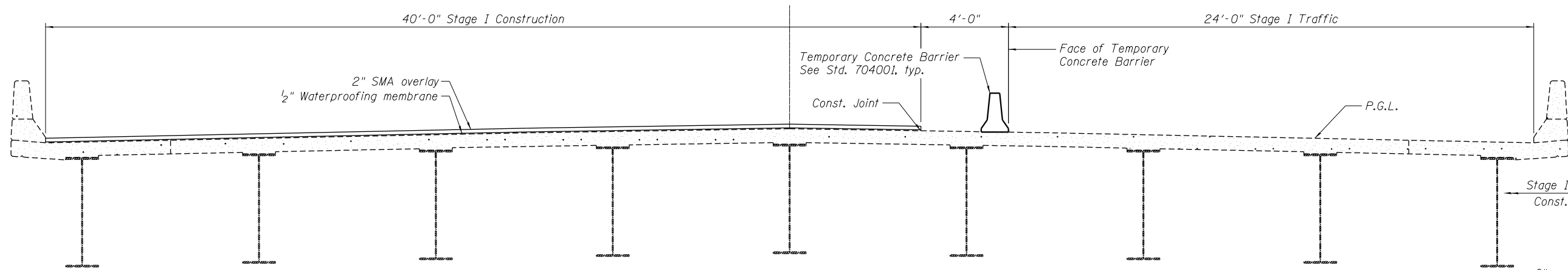
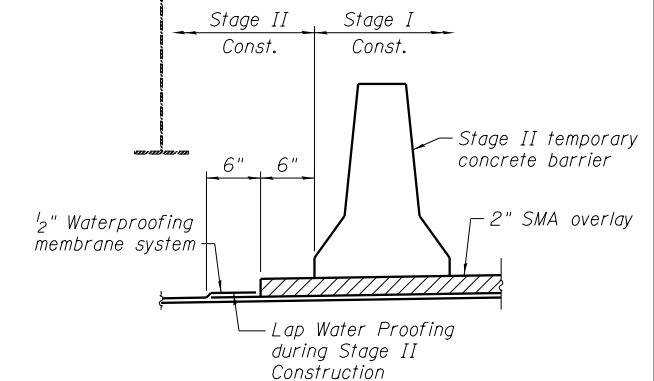


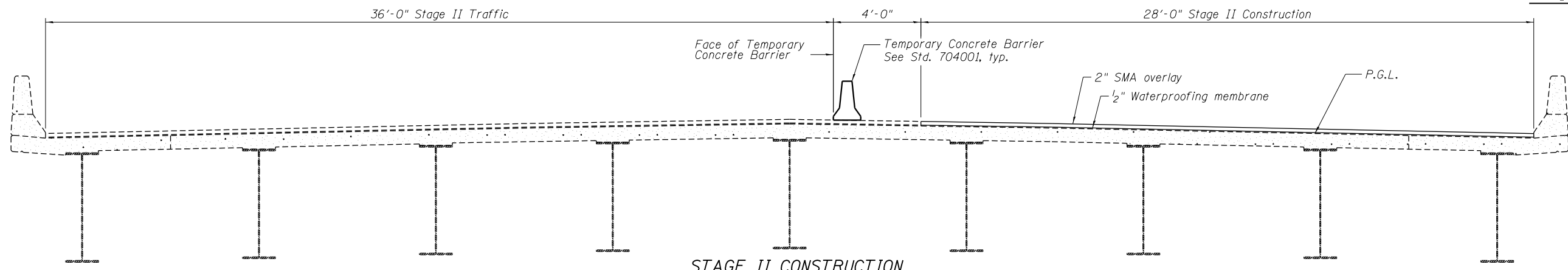
**EXISTING CROSS SECTION**  
SB Rdway Looking North



**STAGE I CONSTRUCTION**  
SB Rdway Looking North



**WATERPROOFING STAGING TYPICAL DETAIL**



**STAGE II CONSTRUCTION**  
SB Rdway Looking North

8/24/2012 10:06:52 PM G:\CHIN\013\Bridges\CADD\060-0217\0600217-76A89-03-Stage\_Const\_SB.dgn

FILE NAME = 0600217-76A89-03-Stage\_Const\_SB.dgn



USER NAME = DMGolas	DESIGNED - WAE	REVISED -
PLOT SCALE = 5/4" = 1' / in.	CHECKED - FMS	REVISED -
PLOT DATE = 8/24/2012	DRAWN - DMG	REVISED -
	CHECKED - SKZ	REVISED -

**STATE OF ILLINOIS  
DEPARTMENT OF TRANSPORTATION**

**STAGE CONSTRUCTION SOUTHBOUND  
STRUCTURE NO. 060-0217 SB**

SHEET NO. 3 OF 14 SHEETS

F.A.I. RTE.	SECTION	COUNTY	TOTAL SHEETS	SHEET NO.
255	60-(7,8) RS-2	MADISON	261	246
CONTRACT NO. 76A89				

ILLINOIS FED. AID PROJECT