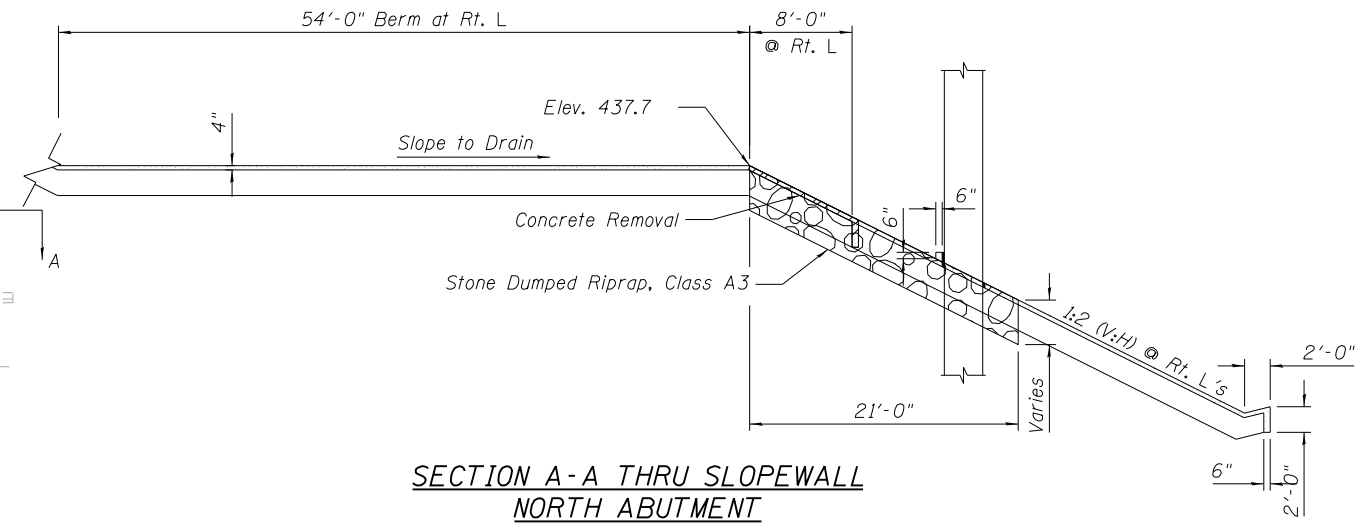
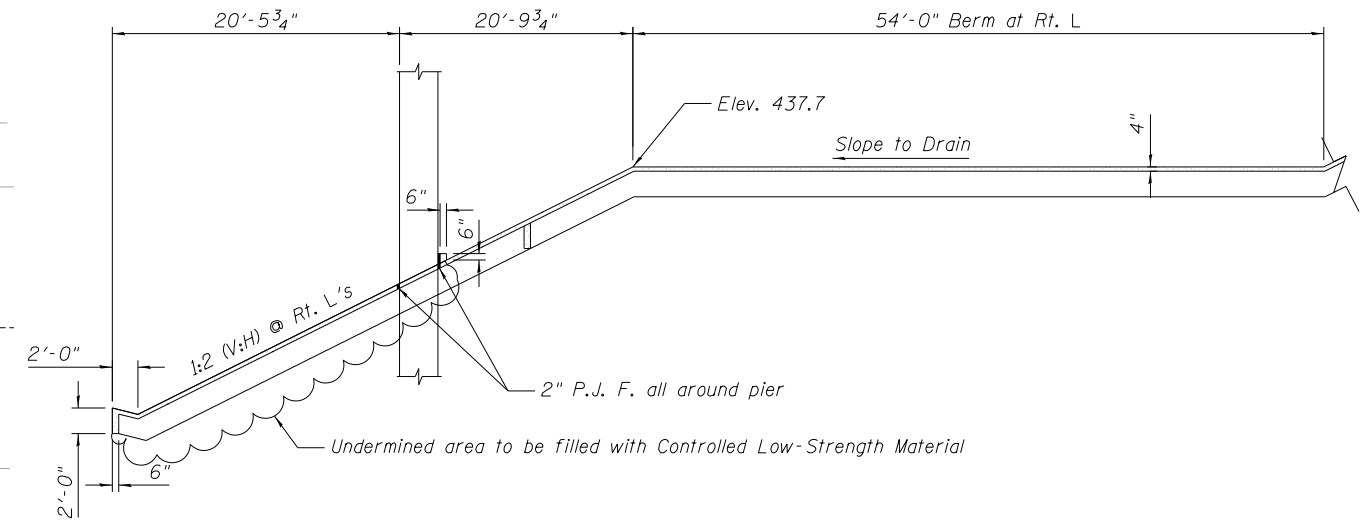


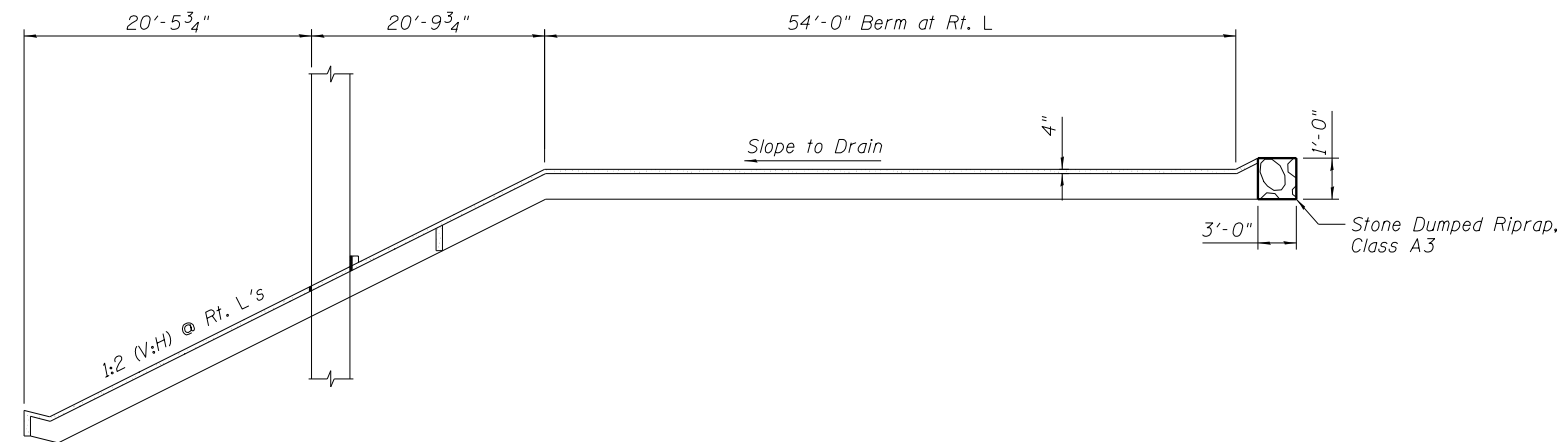
PLAN OF SLOPEWALL NORTH ABUTMENT



SECTION A-A THRU SLOPEWALL NORTH ABUTMENT



SECTION B-B THRU SLOPEWALL NORTH ABUTMENT



SECTION C-C THRU SLOPEWALL NORTH ABUTMENT

BILL OF MATERIAL

Item	Unit	Quantity
Stone Dumped Riprap, Class A3	Ton	41
Controlled Low-Strength Material	Cu Yd	40
Slope Wall Removal	Sq Yd	8

LEGEND

- Concrete Removal
- Stone Dumped Riprap Class, A3

8/24/2012 10:05:01 PM - G:\CHIN\0013\Bridges\CADD\060-0216&0217-76A89-12-SlopeWall.dgn

FILE NAME = 0600216&0217-76A89-12-SlopeWall.dgn



USER NAME = DMGloias	DESIGNED - WAE	REVISED -
PLOT SCALE = 3/8" = 1'-0"	CHECKED - FAS	REVISED -
PLOT DATE = 8/24/2012	DRAWN - DMG	REVISED -
	CHECKED - SLZ	REVISED -

STATE OF ILLINOIS
DEPARTMENT OF TRANSPORTATION

SLOPE WALL REPAIRS DETAILS
STRUCTURE NO. 060-0216 AND 060-0217

SHEET NO. 12 OF 14 SHEETS

F.A.I. RTE.	SECTION	COUNTY	TOTAL SHEETS	SHEET NO.
255	60-(7,8) RS-2	MADISON	261	255
CONTRACT NO. 76A89				

ILLINOIS FED. AID PROJECT