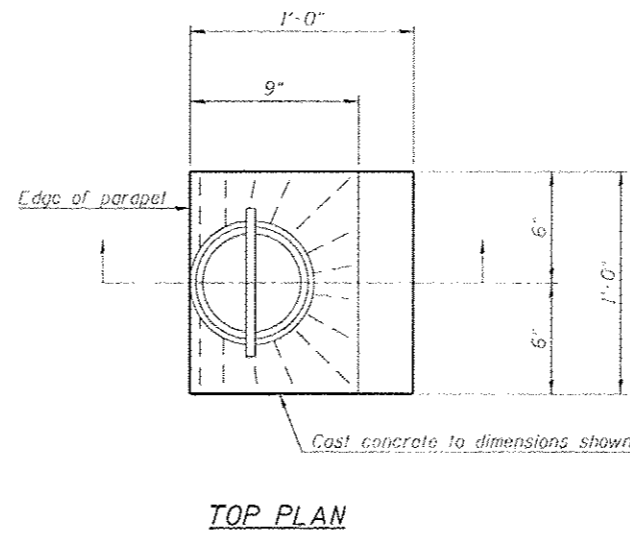
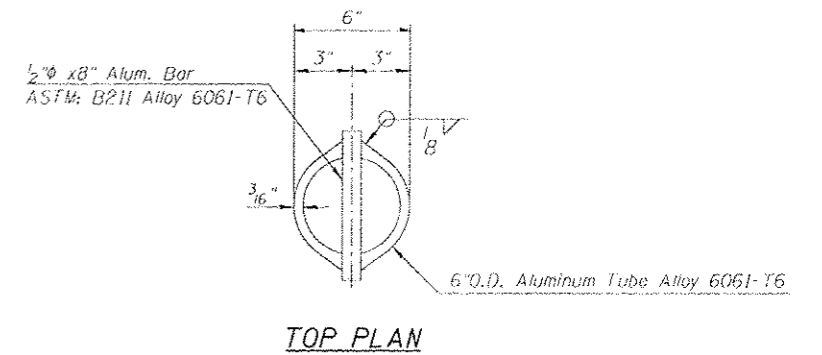


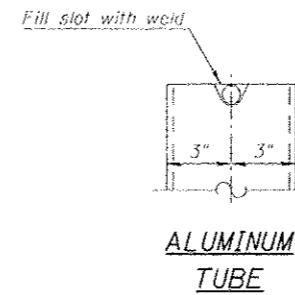
SECTION AT PARAPET



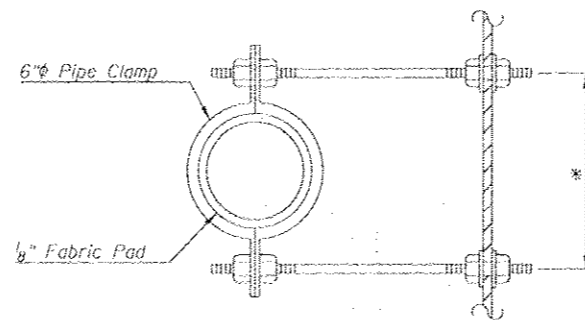
TOP PLAN



TOP PLAN



ALUMINUM TUBE



SECTION A-A

* Dimension as required by Pipe Clamp.

BILL OF MATERIAL

Item	Unit	Total
Floor Drain (Special)	Each	?

Note:
The exterior surface of the floor drains shall be painted with the finish coat as specified in Article 1008.04 of the standard specifications. The exterior surface of the drains shall be cleaned according to Society of Protective Coatings' Spec. SSPC-SP1 prior to painting. Galvanize clamping device according to AASHTO M232. Cost of clamping device and galvanizing included with Floor Drains.

8/24/2012 8:09:50 AM - G:\CADD\03\Bridges\A42D\060-0217\0600217-16489-03 - Floor Drain.dgn

FILE NAME : 0600217-76A07-13 - Floor Drain.dgn



USER NAME : DMGulias	DESIGNED : WAE	REVISED : -
PL01 SCALE : 252 1/2" = 1'-0"	CHECKED : FAS	REVISED : -
PL01 DATE : 8/24/2012	DRAWN : DMG	REVISED : -
	CHECKED : SLZ	REVISED : -

**STATE OF ILLINOIS
DEPARTMENT OF TRANSPORTATION**

**FLOOR DRAIN FOR STEEL BEAMS DETAIL
STRUCTURE NO. 060-0217**

SHEET NO. 13 OF 14 SHEETS

F.A.I. RTE. : 255	SECTION : 60-(7.8) RS-2	COUNTY : MADISON	TOTAL SHEETS : 261	SHEET NO. : 256
CONTRACT NO. 76A89				
ILLINOIS FED. AID PROJECT				