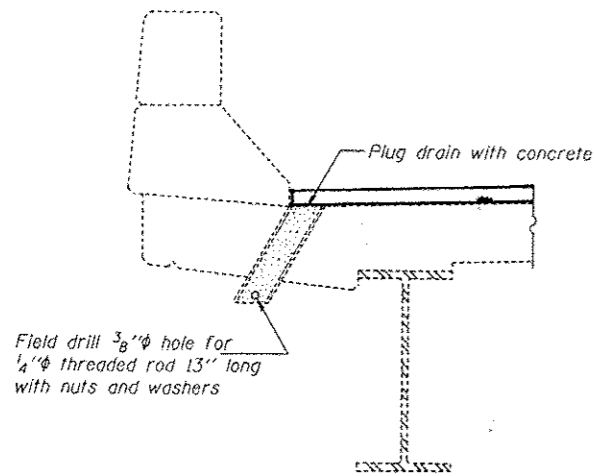
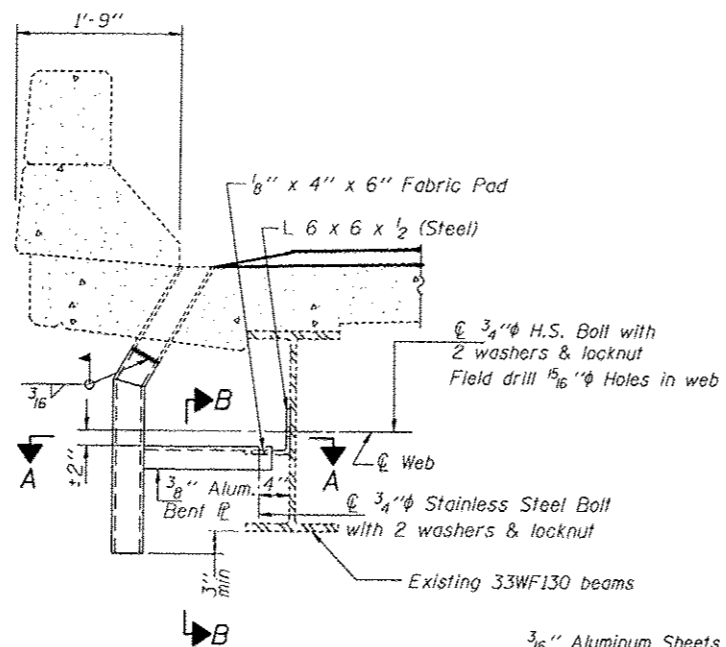


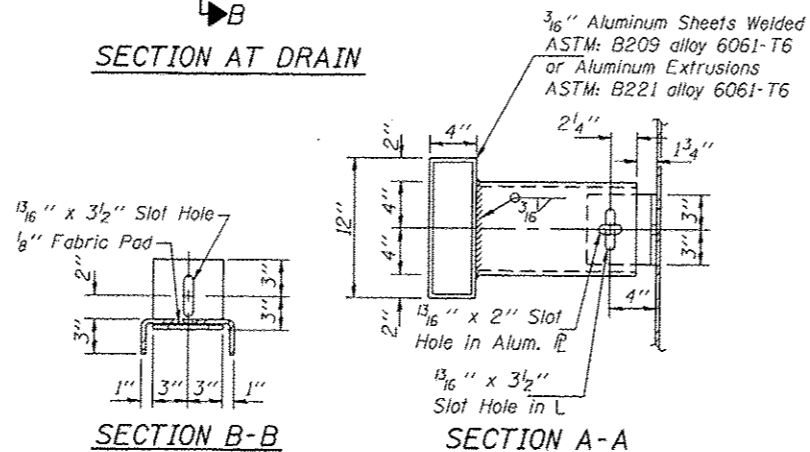
DRAIN DETAIL



PLUG DRAIN DETAIL

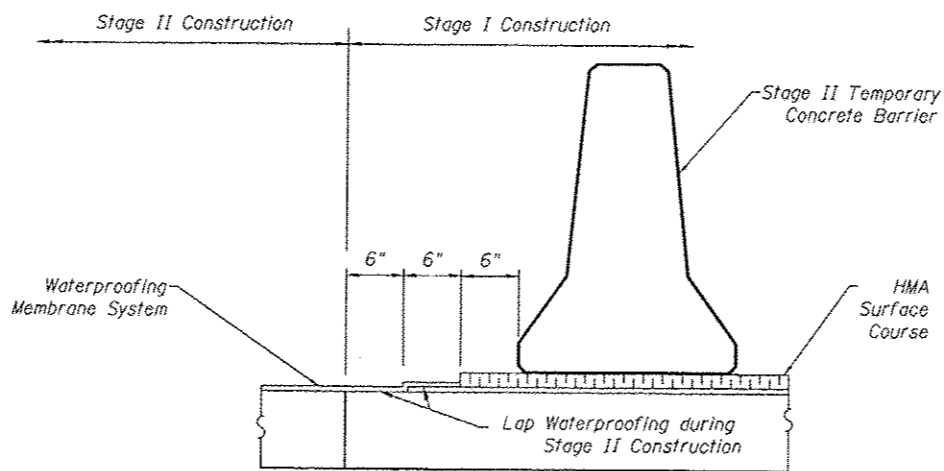


SECTION AT DRAIN



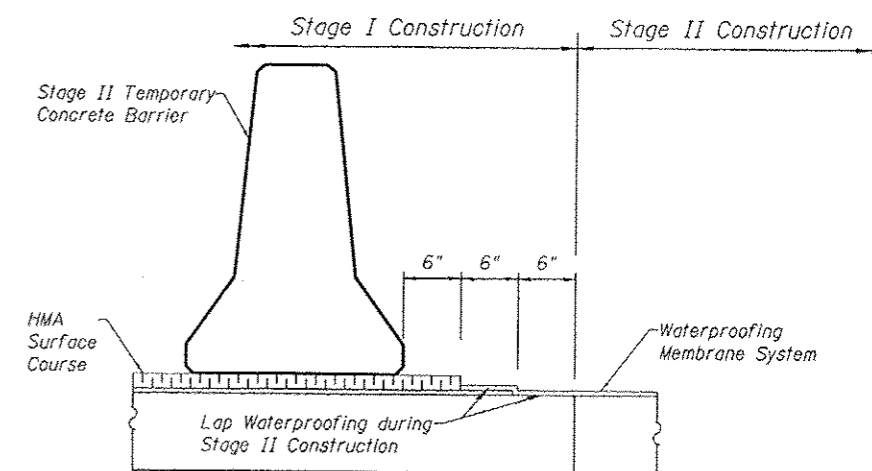
SECTION B-B

SECTION A-A



WATERPROOFING STAGING (WB)

Looking East



WATERPROOFING STAGING (EB)

Looking East

DESIGNED - AYW	EXAMINED - <i>Timothy A. Gault</i>	DATE - 11/20/12
CHECKED -	PASSED - <i>De Carol Perry</i>	REVISOR -
DRAWN - AYW	ENGINEER OF BRIDGES AND STRUCTURES	REVISOR -
CHECKED -		REVISOR -

STATE OF ILLINOIS
DEPARTMENT OF TRANSPORTATION

DRAIN DETAILS & WATERPROOFING STAGING
STRUCTURE NO. 060-0191 & 0192

F.A.P. RTE. 789	SECTION 125-1HB-1	COUNTY MADISON	TOTAL SHEETS 29	SHEET NO. 26
				CONTRACT NO. 76F54

SHEET NO. 13 OF 16 SHEETS

ILLINOIS FED. AID PROJECT