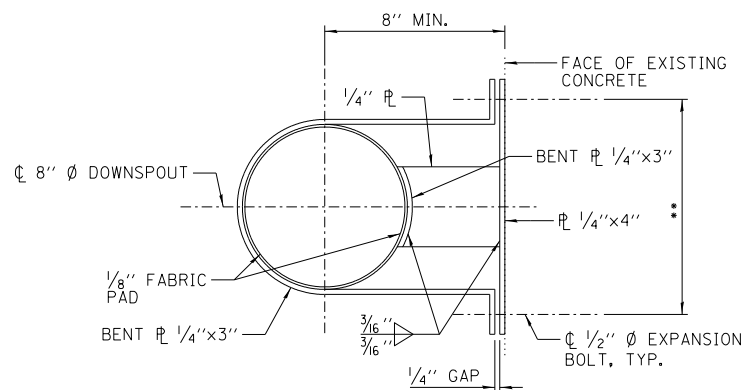
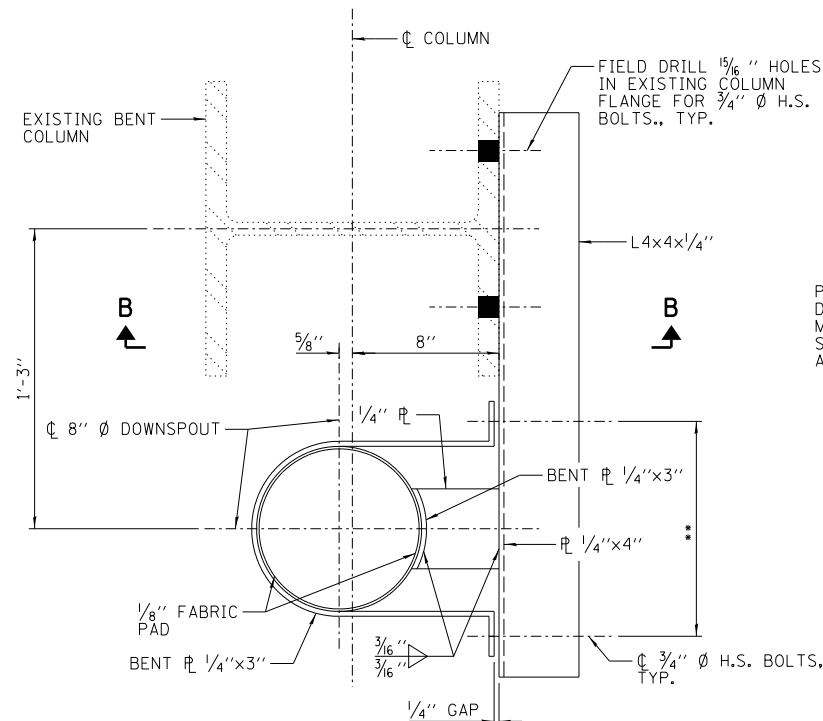


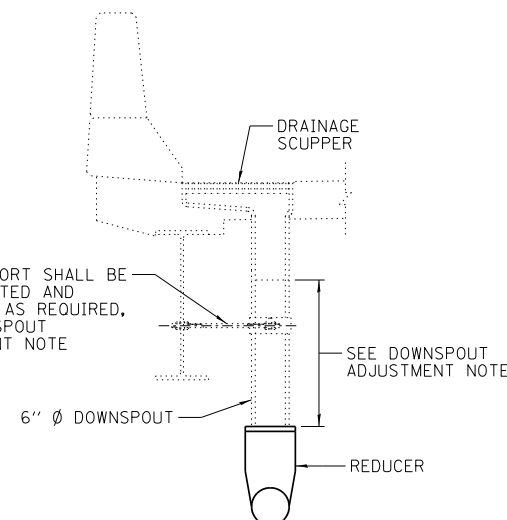
SECTION B-B



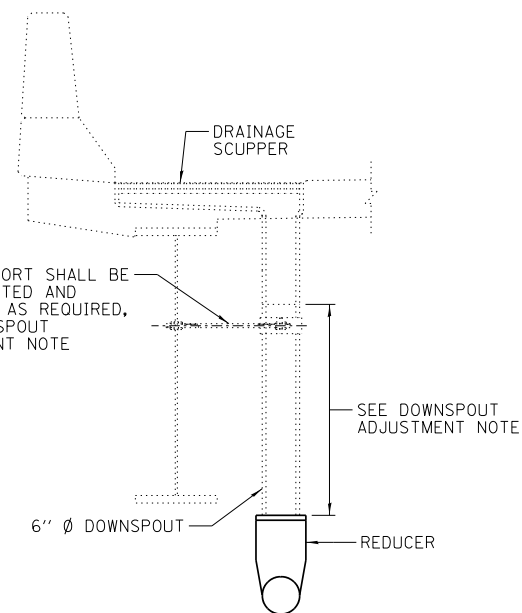
TYPE A PIPE SUPPORT
(S.N. 082-0287)



TYPE B PIPE SUPPORT
(S.N. 082-6003)



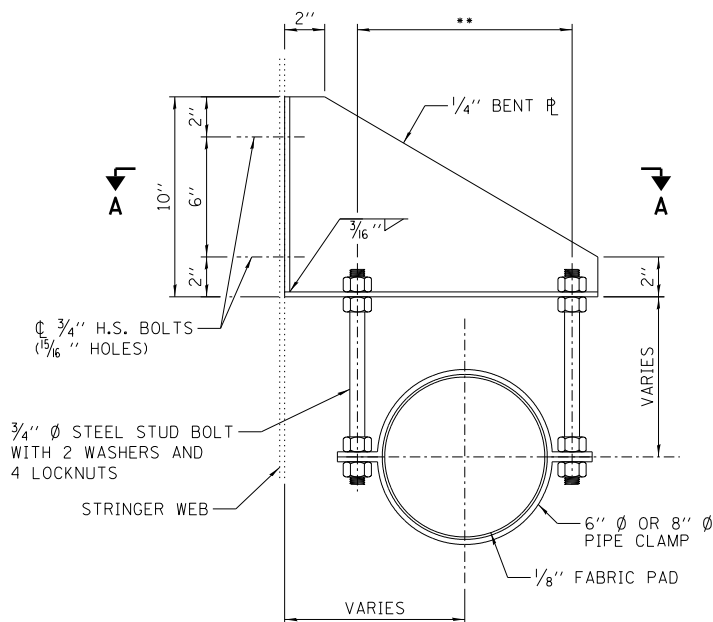
**SECTION AT MLK BRIDGE
DRAINAGE SCUPPER**
(S.N. 082-6003)



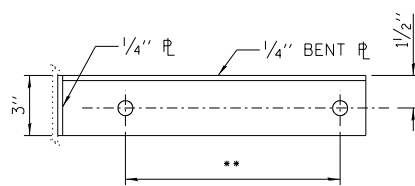
**SECTION AT RAMP 1 BRIDGE
DRAINAGE SCUPPER**
(S.N. 082-0287)

DOWNSPOUT ADJUSTMENT NOTES:

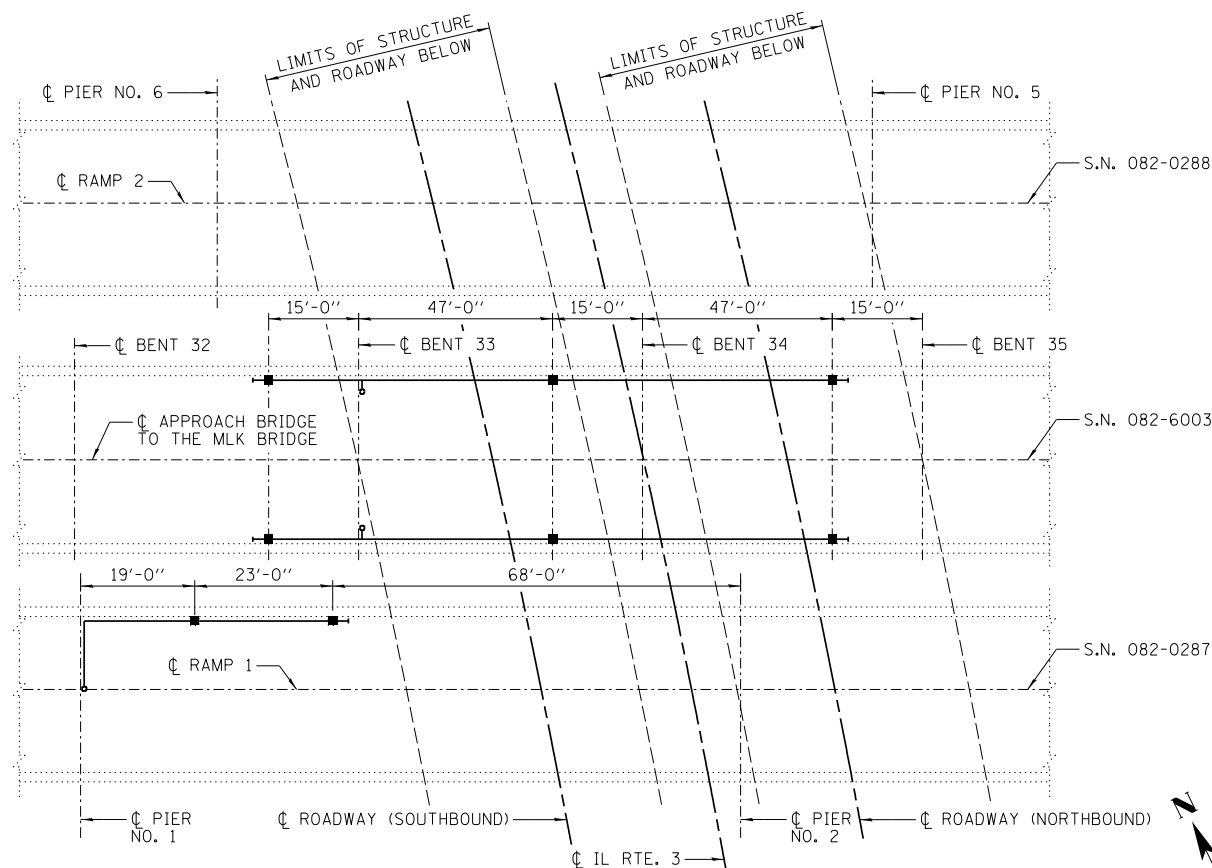
- 1.) CONTRACTOR SHALL CUT AND SHORTEN THE EXISTING 6" Ø DOWNSPOUTS AS REQUIRED FOR MINIMUM SLOPE REQUIREMENTS.
- 2.) EXISTING PIPE SUPPORTS SHALL BE MOVED IN ACCORDANCE WITH THE DOWNSPOUT SHORTENING.



TYPE C PIPE SUPPORT



SECTION A-A



PLAN

LEGEND

- EXISTING DRAINAGE SCUPPER LOCATION
- COLLECTOR PIPE

NOTES:

- 1.) ** DIMENSIONS AS REQUIRED BY PIPE CLAMP.
- 2.) SEE THE SPECIAL PROVISION "DRAINAGE SYSTEM" FOR ADDITIONAL INFORMATION.
- 3.) HORIZONTAL COLLECTOR PIPE RUNS SHALL HAVE A MINIMUM SLOPE OF 1/4" PER FOOT EXCEPT AS NOTED.
- 4.) FASTENERS SHALL BE AASHTO M164 TYPE 1, MECHANICALLY GALVANIZED BOLTS IN PAINTED AREAS. BOLTS 3/4" Ø, HOLES 15/16" Ø, UNLESS OTHERWISE NOTED.
- 5.) 3/4" Ø STUD BOLTS SHALL HAVE 6" OF THREADS AT EACH END.
- 6.) PLAN DIMENSIONS AND DETAILS RELATIVE TO EXISTING PLANS ARE SUBJECT TO NOMINAL CONSTRUCTION VARIATIONS. THE CONTRACTOR SHALL FIELD VERIFY EXISTING DIMENSIONS AND DETAILS AFFECTING NEW CONSTRUCTION AND MAKE NECESSARY APPROVED ADJUSTMENTS PRIOR TO CONSTRUCTION OR ORDERING MATERIALS. SUCH VARIATIONS SHALL NOT BE CAUSE FOR ADDITIONAL COMPENSATIONS FOR A CHANGE IN SCOPE OF WORK, HOWEVER, THE CONTRACTOR WILL BE PAID FOR THE QUANTITY ACTUALLY FURNISHED AT THE UNIT PRICE BID FOR THE WORK.
- 7.) THE FIBERGLASS PIPE AND FITTINGS SHALL BE FIRE ENGINE RED IN COLOR.
- 8.) ALL STRUCTURAL STEEL SHALL CONFORM TO AASHTO CLASSIFICATION M-270 GRADE 36, UNLESS OTHERWISE NOTED.
- 9.) REINFORCEMENT BARS SHALL CONFORM TO THE REQUIREMENTS OF ASTM A706 GRADE 60.
- 10.) COST OF REMOVAL AND RE-INSTALLATION OF ALL MEMBERS NECESSARY TO COMPLETE THE WORK AS DETAILED ON THE PLANS AND AS SPECIFIED IN THE SPECIAL PROVISIONS SHALL BE INCLUDED WITH "DRAINAGE SYSTEM".
- 11.) EXISTING STRUCTURAL STEEL THAT WILL BE IN CONTACT WITH NEW STRUCTURAL STEEL SHALL BE CLEANED AND PAINTED PRIOR TO ERECTION AS REQUIRED BY THE SPECIAL PROVISION "CLEANING AND PAINTING CONTACT SURFACE AREAS OF EXISTING STEEL STRUCTURES".
- 12.) THE MAXIMUM SPACING FOR SUPPORT BRACKETS FOR HORIZONTALLY SUPPORTED PIPE SHALL BE 8 FEET. SUPPORT BRACKET SPACING OF LESS THAN 8 FEET FOR HORIZONTALLY SUPPORTED PIPE SHALL BE REQUIRED WHEN THE MANUFACTURER OF THE PIPE REQUIRES A SMALLER SPACING.

DESIGNED - TCR	REVISED
CHECKED - JML	REVISED
DRAWN - JWK	REVISED
CHECKED - MSW	REVISED
DATE - 05/07/12	

F.A.P. RTE.	SECTION	COUNTY	TOTAL SHEETS	SHEET NO.
788	520-1-2B	ST. CLAIR	94	26
CONTRACT NO. 76F69				