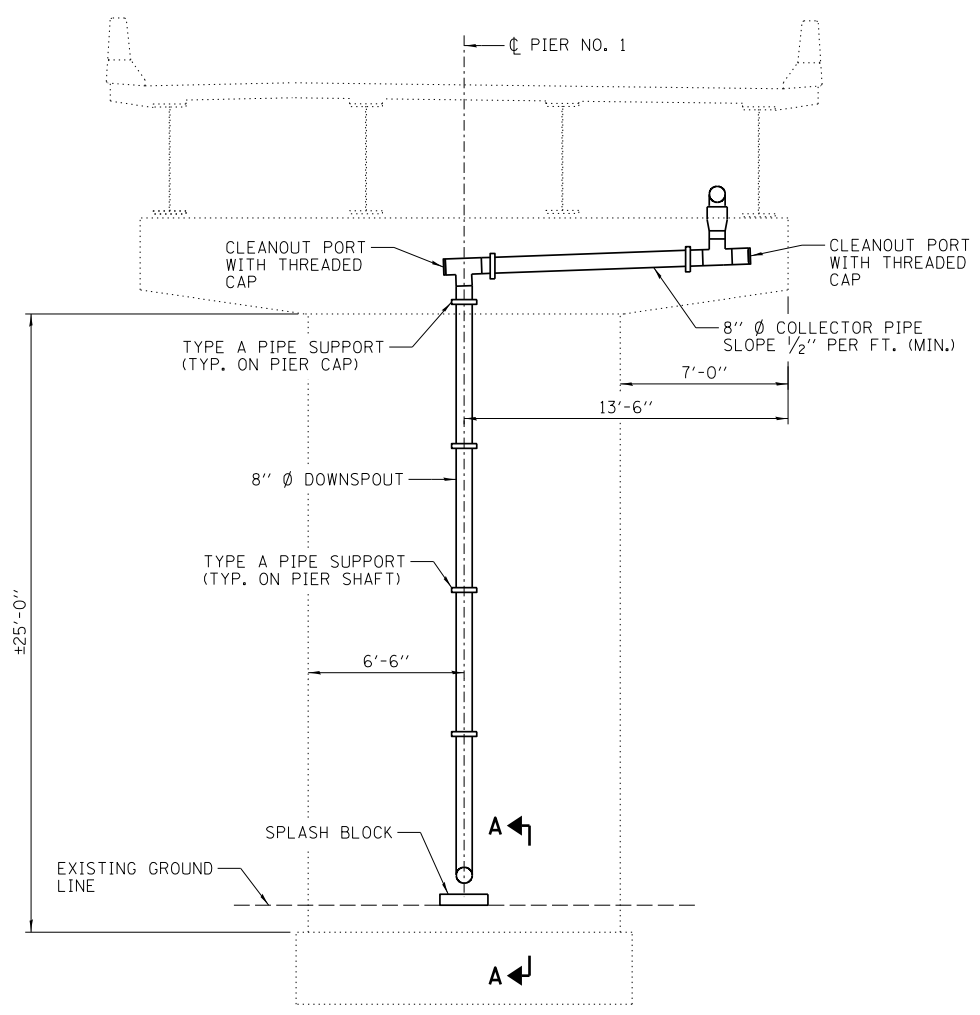
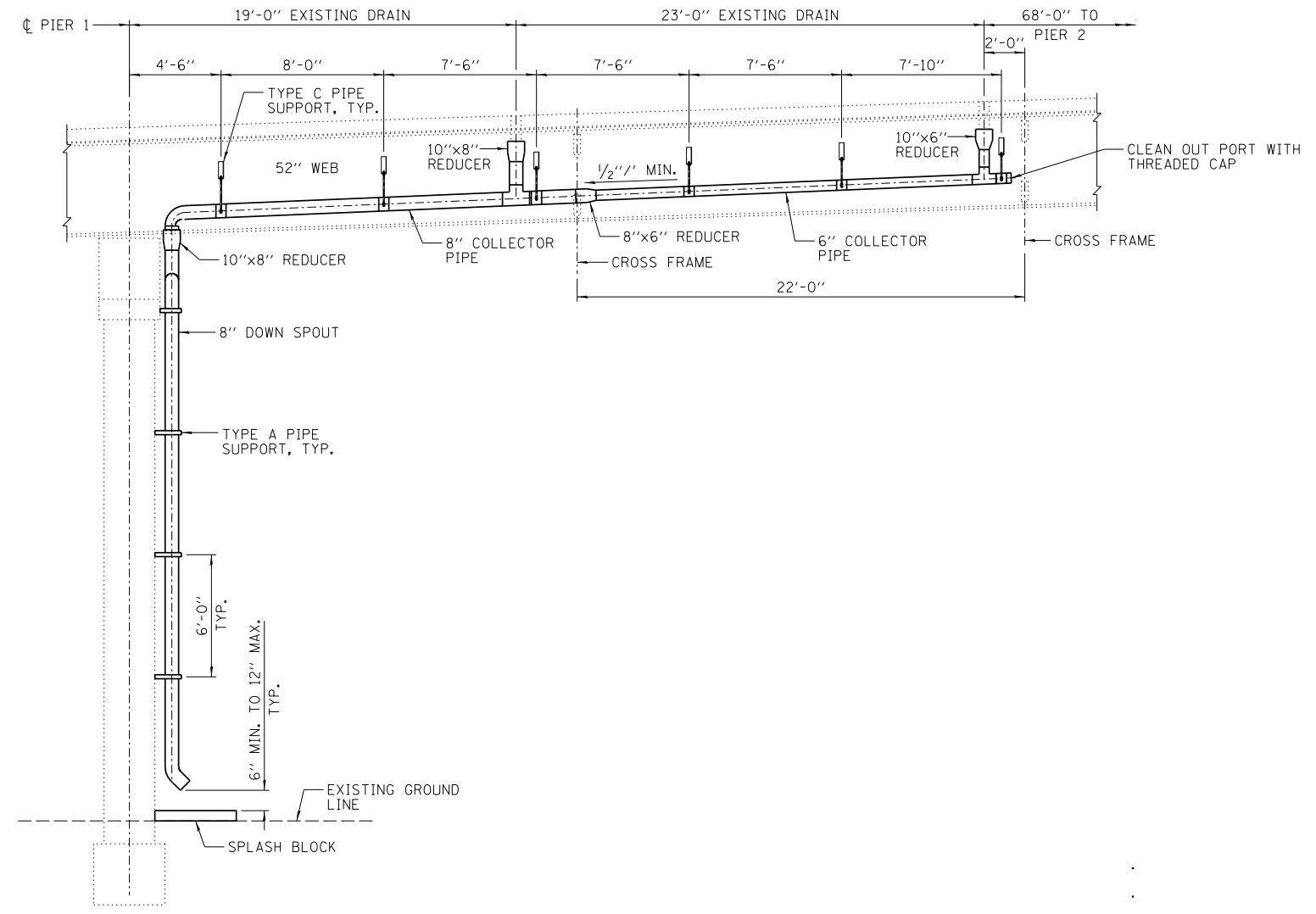


- NOTES:**
- 1.) SPLASH BLOCK SHALL BE A MIN. OF 4" THICK CLASS SI CONCRETE. COST INCIDENTAL TO DRAINAGE SYSTEM.
 - 2.) REINFORCEMENT BARS - #3 EPOXY COATED, SHALL BE PLACED AT THE CENTER OF THE 4" THICK SPLASH BLOCK. REINFORCEMENT BARS SHALL BE AT 8" CTS. IN BOTH DIRECTIONS.
 - 3.) SOIL UNDERNEATH SPLASH BLOCKS SHALL BE COMPACTED PRIOR TO POURING THE SPLASH BLOCK.



DRAINAGE SYSTEM ELEVATION AT PIER NO. 1
(LOOKING WEST/S.N. 082-0287)



DRAINAGE SYSTEM ELEVATION AT PIER NO. 1
(LOOKING WEST/S.N. 082-0287)

- NOTES:**
- 1.) HORIZONTAL COLLECTOR PIPES SHALL HAVE A MINIMUM SLOPE OF 1/2" PER FOOT.
 - 2.) HORIZONTAL COLLECTOR PIPES SHALL BE ABOVE THE BOTTOM FLANGE.

DESIGNED - TCR	REVISED
CHECKED - JML	REVISED
DRAWN - JWK	REVISED
DATE - 05/07/12	REVISED
CHECKED - MSW	REVISED

F.A.P. RTE.	SECTION	COUNTY	TOTAL SHEETS	SHEET NO.
788	520-1-2B	ST. CLAIR	94	31
CONTRACT NO. 76F69			ILLINOIS FED. AID PROJECT	