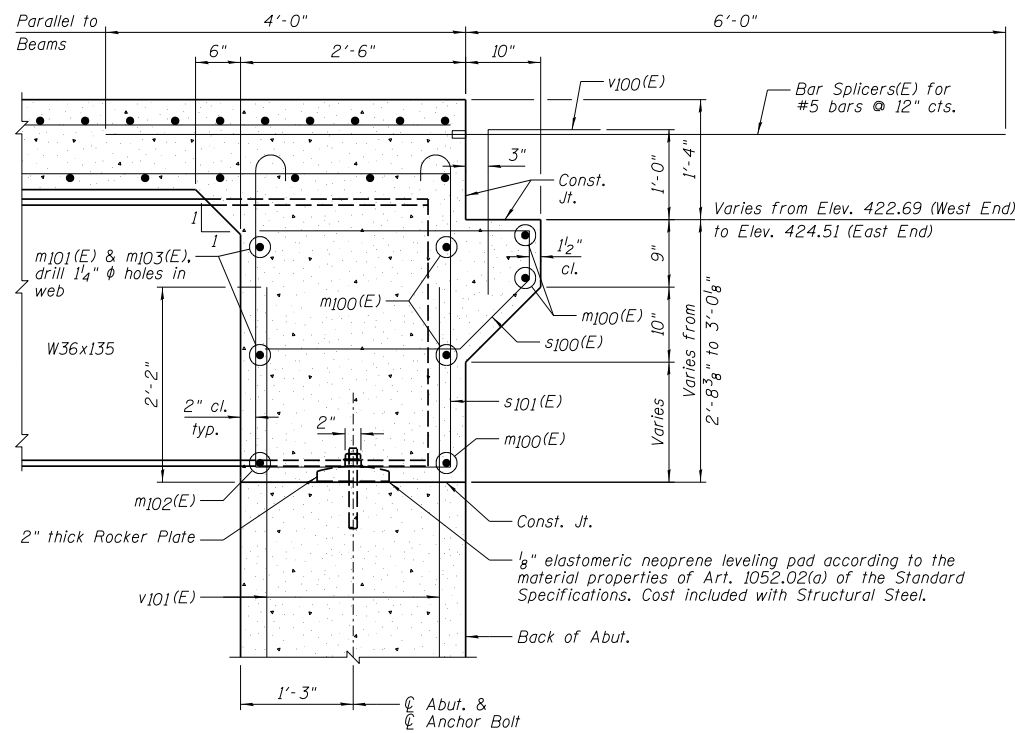


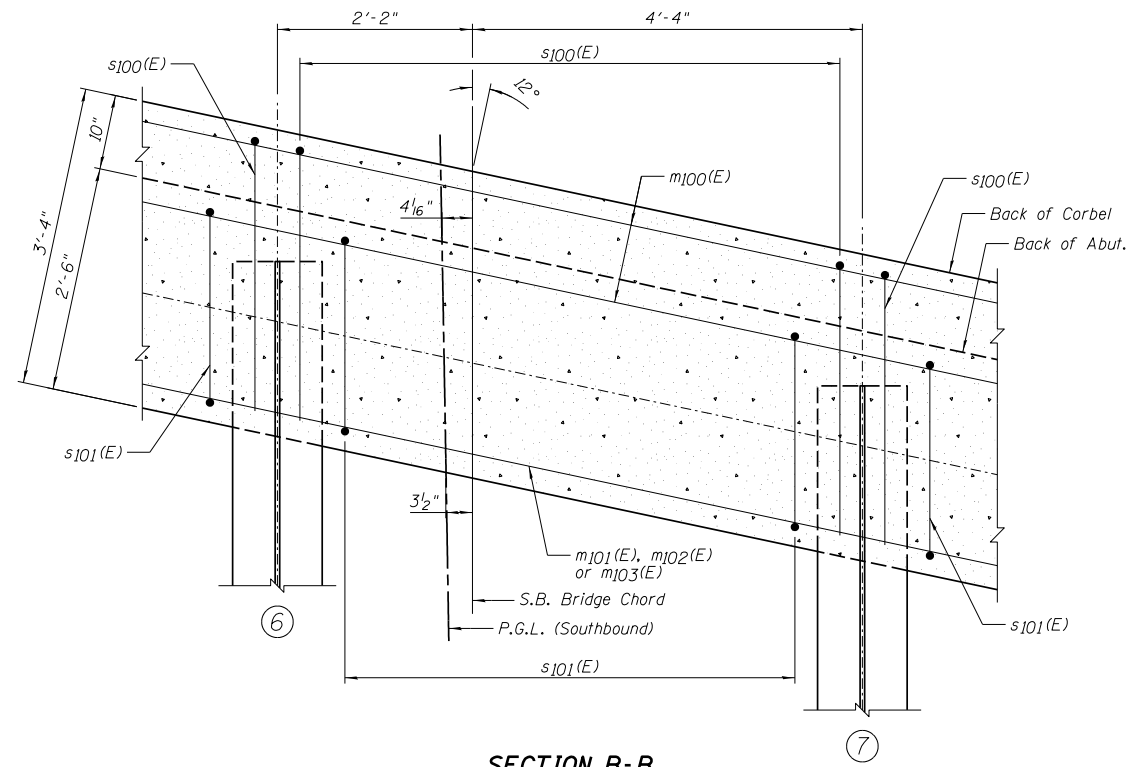
**ELEVATION OF DIAPHRAGM AT NORTH ABUTMENT**  
(Looking North)

BAR LAP
#6 - 3'-4"



**SECTION A-A**

Dimensions @ Rt. L's except as noted.



**SECTION B-B**

**NOTES:**

- 1.) See Sheet A9 for Superstructure Details and Bill of Material.
- 2.) See Sheet A27 for Fixed Bearing Details.
- 3.) F.F. denotes Front Face, B.F. denotes Back Face and E.E. denotes Each End.
- 4.) See Sheet A38 for Bar Splicer Details.
- 5.) Bars indicated thus 2x5-#6 indicates 2 lines of bars with 5 lengths per line.
- 6.) The s100(E) and s101(E) bars shall be placed parallel to the beams. Spacing for these bars shall be at right angles to the beams.

DESIGNED - TCR/JCZ	REVISION
CHECKED - JML	REVISION
DRAWN - DJM/JWK	REVISION
CHECKED - MSW	REVISION
DATE - 06/26/12	

F.A.P. RTE.	SECTION	COUNTY	TOTAL SHEETS	SHEET NO.
788	520-1-2B	ST. CLAIR	94	48
CONTRACT NO. 76F69			ILLINOIS FED. AID PROJECT	