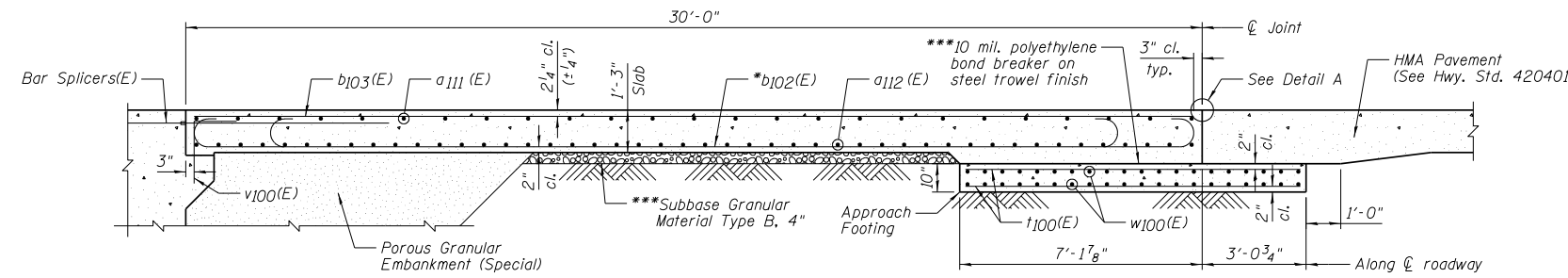


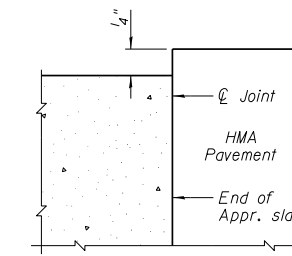
**TWO APPROACHES
BILL OF MATERIAL**

Bar	No.	Size	Length	Shape
a101(E)	96	#6	6'-6"	—
a111(E)	50	#4	41'-8"	—
a112(E)	90	#5	41'-8"	—
b102(E)	190	#9	29'-9"	(—)
b103(E)	68	#4	29'-6"	—
d104(E)	121	#5	11'-2"	⌒
e104(E)	40	#6	29'-6"	—
t100(E)	168	#4	9'-10"	—
w100(E)	80	#5	41'-8"	—
Item		Unit	Quantity	
Concrete Structures		Cu. Yd.	26.1	
Concrete Superstructure		Cu. Yd.	135.8	
Reinforcement Bars, Epoxy Coated		Pound	34,560	



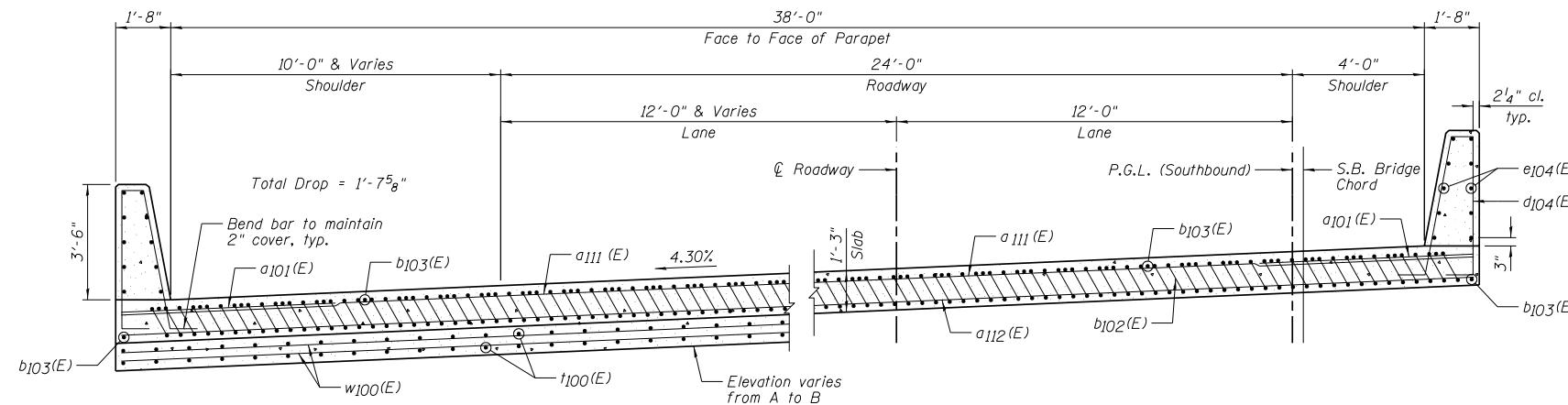
SECTION C-C

* Tilt #9 b102(E) bars as required to maintain clearance.
*** Cost included with Concrete Superstructure.



FLEXIBLE PAVEMENT

DETAIL A

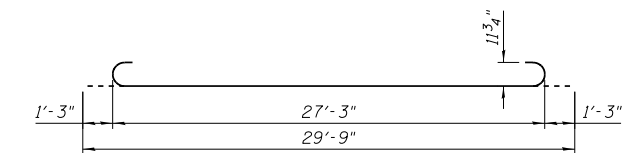


AT APPROACH FOOTING

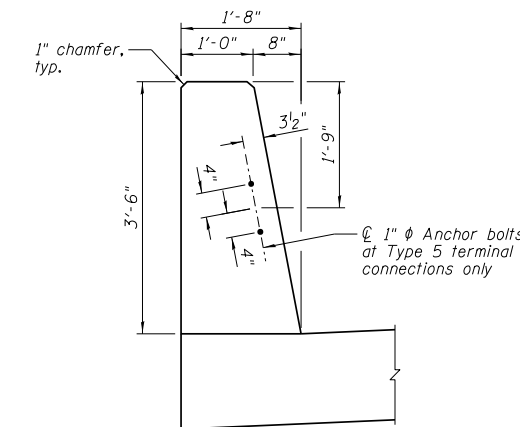
NEAR ABUTMENT

SECTION D-D

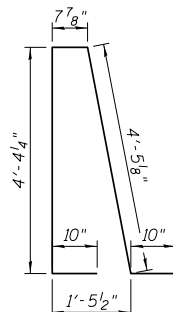
(See Plan Views for dimensions not shown)



b102 (E) BAR

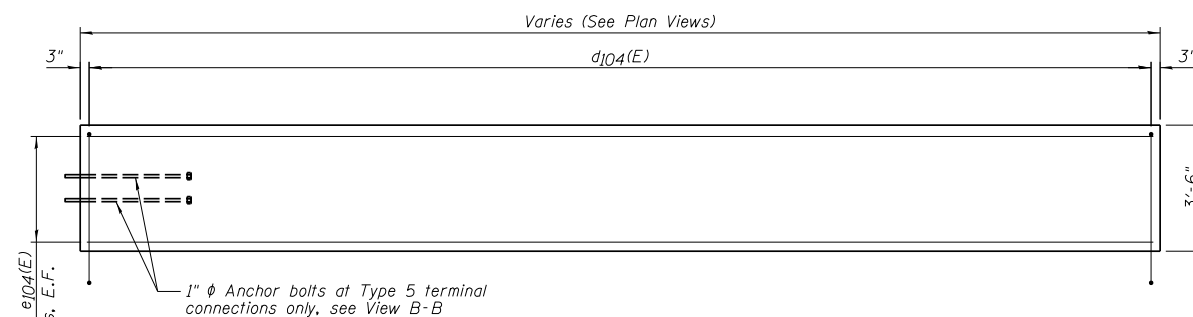


VIEW B-B

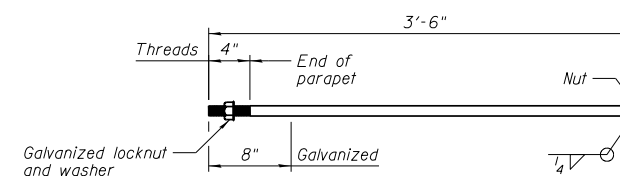


d104 (E) BAR

Location	Elevation	
	A (East End)	B (West End)
North Approach	423.14	421.31
South Approach	425.69	423.91



VIEW E-E



1" ANCHOR BOLT

(Cost included with Concrete Superstructure)

NOTES:

- 1.) Approach slab and parapet concrete shall be paid for as Concrete Superstructure.
- 2.) Approach footing concrete shall be paid for as Concrete Structures.
- 3.) Reinforcement shall be paid for as Reinforcement Bars, Epoxy Coated.
- 4.) For v100(E) bar details, see Sheets A16 & A17.
- 5.) The approach footing maximum applied service bearing pressure (Omax) = 2.0 ksf.
- 6.) For bar splicer details, see Sheet A38.
- 7.) Cost of excavation for approach footing included with Concrete Structures.
- 8.) For Porous Granular Embankment (Special) and drainage treatment details, see Sheet A2.