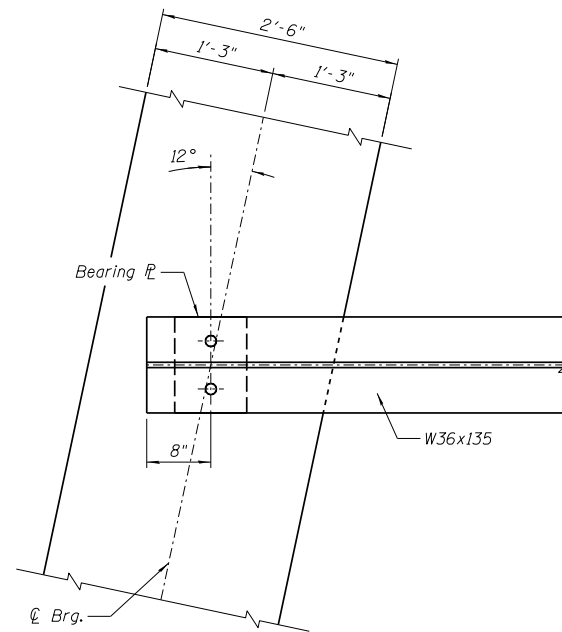


ELEVATION AT ABUTMENTS

FIXED BEARING

(At South Abutment, Southbound - 7 Required)
 (At North Abutment, Southbound - 7 Required)
 (At South Abutment, Northbound - 7 Required)
 (At North Abutment, Northbound - 7 Required)



BEARING PLAN AT ABUTMENTS

Notes:
 The anchor bolt sizes and grades shown constitute a calculated seismic structural fuse. Substitution of higher diameter and/or grade anchor bolts will not be allowed.
 Anchor bolts at fixed bearings may be either cast in place or installed in holes drilled after the supported member is in place.
 Drilled and set anchor bolts shall be installed according to Article 521.06 of the Standard Specifications.

BILL OF MATERIAL

Item	Unit	Total
Anchor Bolts, 1"	Each	56

NOTES:

- The structural steel plates of the Bearing Assembly shall conform to the requirements of AASHTO M 270 Grade 50W.
- Two 1/8 in. adjusting shims shall be provided for each bearing in addition to all other plates or shims and placed as shown on bearing details.

DESIGNED - TCR/JCZ	REVISED
CHECKED - JML	REVISED
DRAWN - DJM/JWK	REVISED
CHECKED - MSW	REVISED
DATE - 06/26/12	

F.A.P. RTE.	SECTION	COUNTY	TOTAL SHEETS	SHEET NO.
788	520-1-2B	ST. CLAIR	94	56
CONTRACT NO. 76F69				
ILLINOIS FED. AID PROJECT				