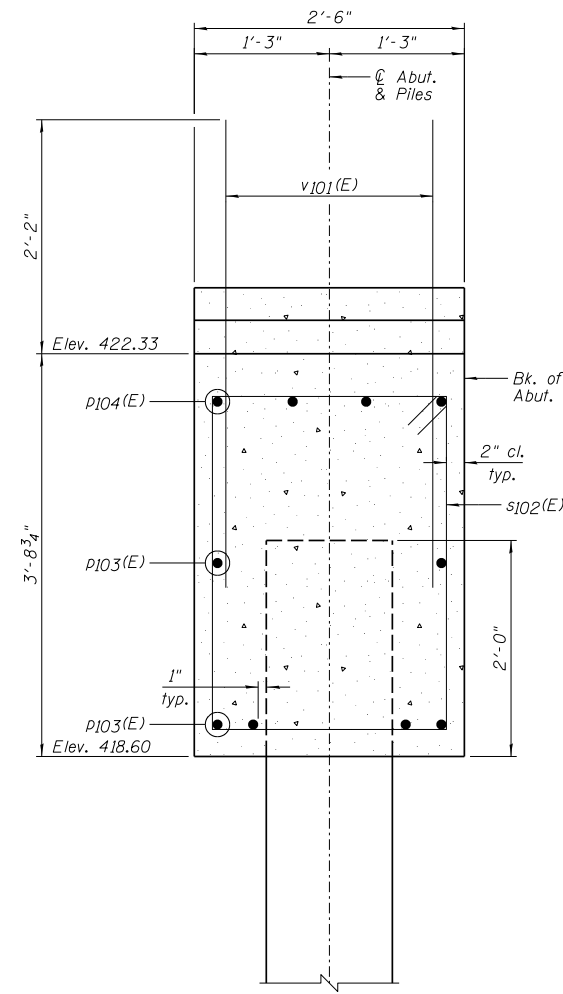
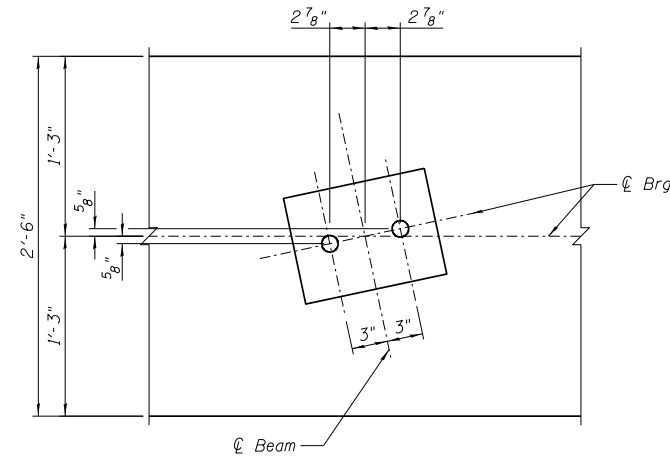


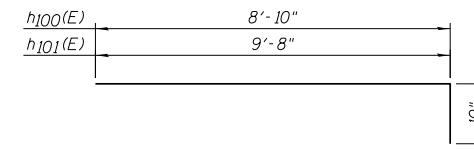
SECTION A-A



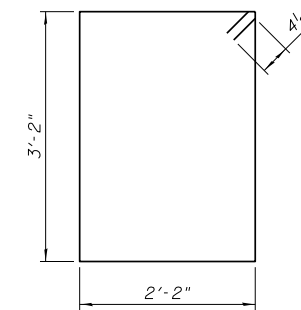
SECTION B-B



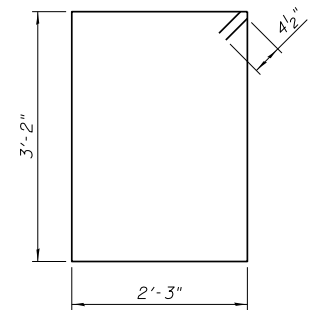
TYPICAL ANCHOR BOLT PLACEMENT DETAIL



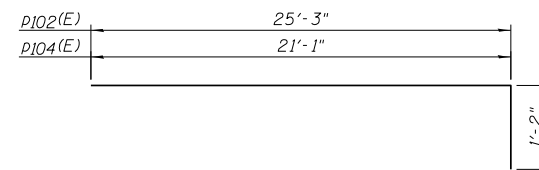
h₁₀₀ (E) & h₁₀₁ (E) BAR



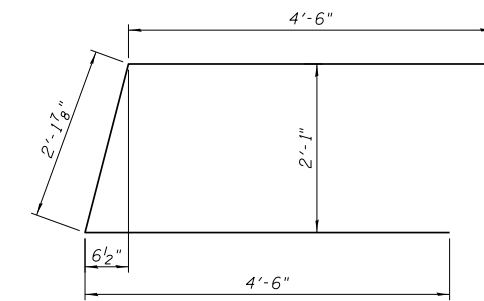
s₁₀₂ (E) BAR



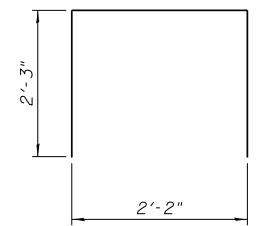
s₁₀₃ (E) BAR



p₁₀₂ (E) & p₁₀₄ (E) BAR



u₁₀₀ (E) BAR



u₁₀₁ (E) BAR

BAR CUTTING DIAGRAM							
	L		D				
	A						
	E SETS OF F BARS		CUT LINE				
	B		C				
BAR	A	B	C	D	E	F	L
v104(E)	6'-3"	7'-11"	6'-3"	7'-11"	1	6	14'-2"
v105(E)	5'-6"	7'-2"	5'-6"	7'-2"	1	6	12'-8"

NOTE:

See Sheet A28 for locations of Section A-A and Section B-B.